



Ventilation

Lighting



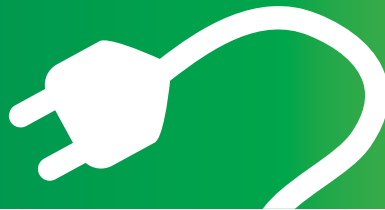
Control



Heating



Accessories



Air Conditioning

THERMAL MANAGEMENT SOLUTIONS FOR ELECTRICAL ENCLOSURES

Our company



Alfa Electric was established in 1973 in Brianza, cradle of the economy of Lombardy and Italy, as a division of Alfa Plastic, a company specialized in plastic injection-moulding.

Over two generations, the owning family and their skilled work force developed a solid know-how that enables a continue company growth and the fulfillment of the requirements coming from a varied, international and demanding Clientele.

Alfa Electric quality products are reliable and proven: each of them is tested individually. Excellence, timeliness and punctuality of delivery are key words and facts. All this makes Alfa Electric dynamic, efficient, effective, competitive, and able to go beyond the national market, extending toward new horizons.



Italian quality catering for an International Community

Alfa Electric relates to otherness and to the world with open eyes and enthusiastic spirit, believing in each man, in his resources and his desires. Also, agreeing with Henry Ford, for whom “there is real progress only when the benefit of a new technology is for everyone”, Alfa Electric goes further and argues that “real progress is only when all involved parties can contribute actively”. For this, the customer is much more than a taxable person driven by specific needs: He is a valid and valuable partner of the company, that holds within himself a wealth of ideas, visions, needs and stimuli. Alfa Electric is able to recognize and discover them to foster the development of customized quality products that will soon be of benefit to a wider world-wide community.

Interconnection and collaborative capabilities

Alfa Electric is an Italian company. Everything from design to manufacturing is made in Italy under the supervision of Italian highly qualified technologists. Therefore, Alfa Electric can legitimately carry the label of a total and authentic “Made in Italy”. We are proud to export the Italian quality, care and attention to details, as well as artistic and technological excellence, to a world-wide industry searching for the good and the beautiful.



Care and attention to the customer

Customers are part of Alfa Electric’s human assets. We aim to satisfying them at the highest level. We pay attention to each one of them because everyone is unique, with his own peculiar story and personality, and deserves to progress. Thus, Alfa Electric follows each customer both in the pre-sale and after-sale phases, as an expert guide, able to answer his requests and cope with his needs, giving him the best possible advice. Alfa Electric helps the customers in choosing the best-suited product and is always available to solve after-sales issues.

Company history

Alfa Plastic starts in a small town in Brianza, cradle of the economy of Lombardy and Italy, as a company specialized in plastic injection-molding.

Alfa Electric is established as a division of Alfa Plastic specialized in manufacturing accessories for electric enclosures.

The intense development of **Alfa Electric** leads to the expansion of the production facilities. A new manufacturing plant is acquired and exclusively devoted to the assembly of electrical products.

The company entered the market of design and manufacture of air conditioners. Competent engineers are hired to develop these new products and to improve the quality of existing ones.

Property purchase for the establishment of a testing laboratory and expansion of air conditioning and heating assembly departments

Expansion of the molding machine fleet. Introduction of quality control systems facilitated by Industry 4.0. Installation of a 130-kW photovoltaic system.

1973

1993

2000

2010

2019

2023

Table of contents

Air Conditioning

pag. 2 | 23



Ventilation

pag. 24 | 46



Heating

pag. 47 | 58



Control

pag. 59 | 66



Lighting

pag. 67 | 69



Accessories

pag. 70 | 72





Air Conditioning

Models and power

The range of air conditioners ALFA ELECTRIC includes several productions depending on voltages and different type of control system. The code varies about voltage and control instrumentation.

Low maintenance

ALFA ELECTRIC air conditioners require little maintenance on all models through the adoption of heat exchangers with a pitch between the fins higher than 4 mm. The fins are treated to reduce the adhesion of dirt.

Rotary Compressor

ALFA ELECTRIC air conditioners are distinguished by the adoption on most models of rotary compressors. This type of compressors, unlike the more common reciprocating compressors, allows to contain the clutter in favour of a greater distance between inlet hot air from the context and delivery of fresh air into the framework. The greater distance allows the reduction of the phenomenon of by-pass, using a greater amount of fresh air produced.

Outdoor version

These units have a special cover designed to protect internal components and condenser fan controller in according to the condensation pressure.

On request it is available a heater band to protect compressor in low ambient temperature.

Digital thermostat and serial communication

All models are equipped with electronic thermostat, digital input for door limit contact, and digital output for alarm. The version equipped with serial port for ModBus communication is available for all models.

Condensate management

All wall mount models (excluding AVC/AVE035) are equipped with built-in condensate evaporator.

Accessories

All models can be enhanced with useful accessories to improve performance in each specific application. Accessories such as ducting, flow diverters, and filters are available for each model.

Less weight and less vibrations

The rotary compressor also reduces the weight of the unit with obvious benefits in the transport, handling and installation of the machine. The lower vibrations due to a lower inertia of the moving parts make this component not noisy and durable.

CODE COMPOSITION

AVC 035 . 00 2 _

VERSION
Mounting, Color, Special versions...

CONTROL SYSTEM
2 Electronic thermostat with alarms
3 Electronic thermostat with alarms + RS485

POWER SUPPLY
00 230VAC/1ph/50-60Hz
01 115VAC/1ph/50-60Hz
02 400VAC/2ph/50-60Hz
41 400VAC/3ph/50Hz
42 400VAC/3ph/60Hz
43 400VAC/3ph/50Hz - 460VAC/3ph/60Hz

COOLING CAPACITY
Cooling capacity divided by 10

SERIES
AVC Wall mount indoor installation
ARC Roof mount
AVE Wall mount outdoor installation
ARK Rack 19" mount

AIR CONDITIONER SELECTION WITH WATT-A-CALCULATOR



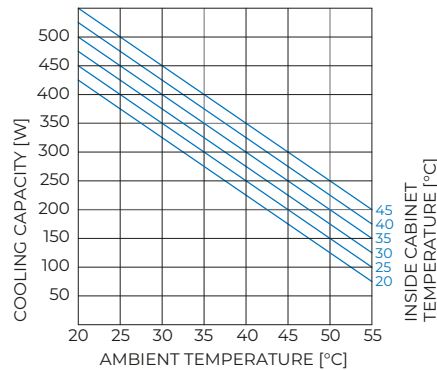
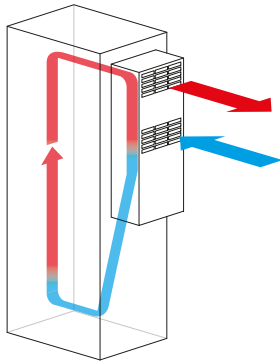
Watt-a-Calculator is a selection software that makes the best model to the specific customer application. Watt-a-Calculator is available on Alfaelectric web site. Please visit it and follow the easy instructions to find the solutions for you.

www.alfaelectric.com/wattcalc



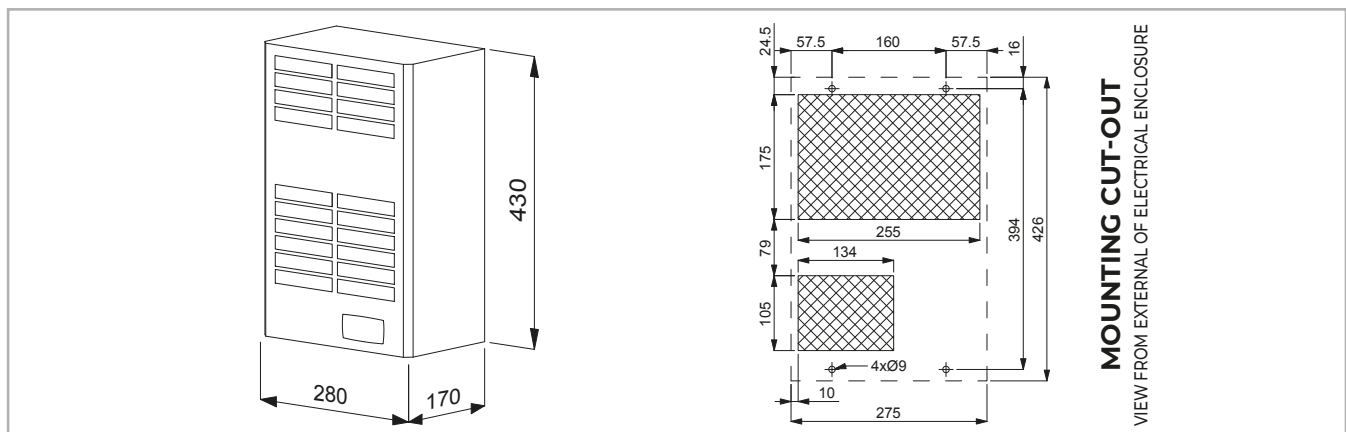
AVC035

WALL MOUNT AIR CONDITIONER FOR INDOOR APPLICATION



CONTROL TYPE		ARTICLE CODE			
Digital thermostat with alarms		AVC035.002	AVC035.012	AVC035.022	
Digital thermostat with alarms and RS485 port (ModBUS)		AVC035.003	AVC035.013	AVC035.023	
FEATURES		Unit			
Power supply		V ph Hz	230 1 50/60	115 1 50/60	400 2 50/60
Cooling capacity EN14511	A35-A35	W	350 / 370		
	A35-A50	W	200 / 220		
Absorbed electric power EN14511	A35-A35	W	290 / 320		
	A35-A50	W	320 / 350		
Rated current		A	1.5 / 1.6	3.0 / 3.2	0.9 / 1.0
Motor circuit breaker / Delayed pre fuse (advised)		A	4	6	4
Electrical connection		-	quick connector		
Air flow rate (free blow)	enclosure	m³/h	255 / 290		
Operating temperature	ambient	°C (°F)	+20 / +55 (+68 / +131)		
	enclosure	°C (°F)	+20 / +45 (+68 / +113)		
Refrigerant /charge		- g	R134a 300		
Protection degree EN60529/1	ambient	-	IP34		
	enclosure	-	IP54 (when installed on enclosure with the same protection degree)		
Design	casing	-	Galvanised sheet steel		
	cover	-	Galvanised sheet steel powder coated RAL7035 stainless steel AISI304 (add 0X at the end of the article code)		
Package Dimension H x W x D		mm	470x340x200		
Weight (with packaging)		kg	15 (16)	17 (18)	17 (18)
Conformity / Certifications		-	CE		

Accessories		
Door limit switch		FINCOR
Kit air filter polyurethane mat		KFV.01P
Flow diverter		FD035

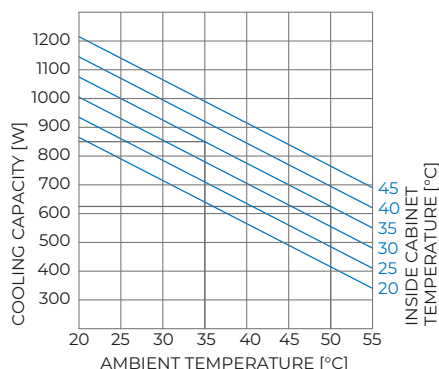
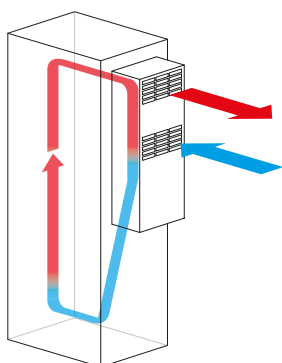


Specifications, values and drawings are subject to change without notice.



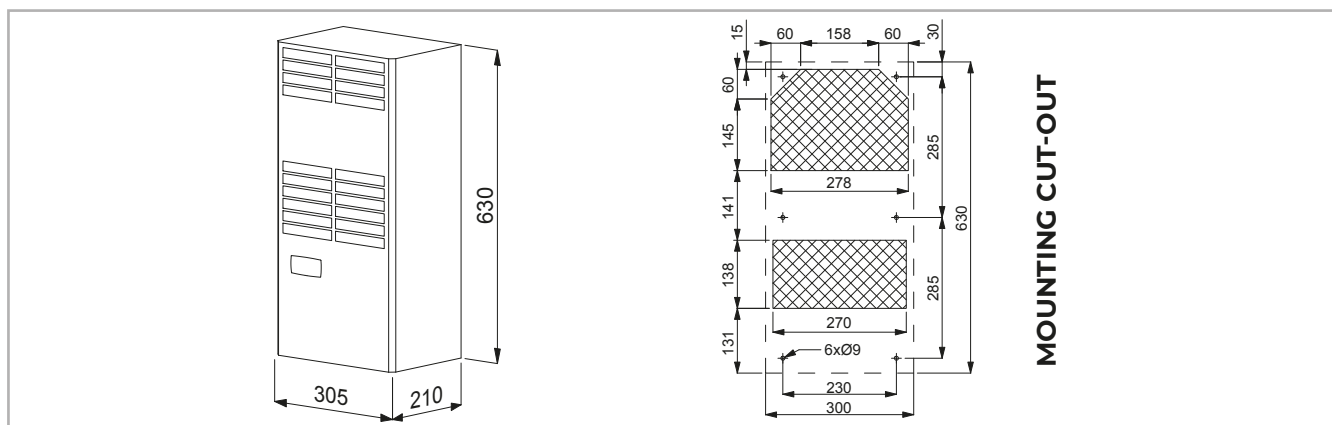
AVC085

WALL MOUNT AIR CONDITIONER FOR INDOOR APPLICATION



CONTROL TYPE		ARTICLE CODE			
Digital thermostat with alarms		AVC085.002	AVC085.012	AVC085.022	
Digital thermostat with alarms and RS485 port (ModBUS)		AVC085.003	AVC085.013	AVC085.023	
FEATURES		Unit			
Power supply		V ph Hz	230 1 50/60	115 1 50/60	400 2 50/60
Cooling capacity EN14511	A35-A35	W	850 / 900		
	A35-A50	W	625 / 650		
Absorbed electric power EN14511	A35-A35	W	490 / 530		
	A35-A50	W	600 / 640		
Rated current		A	2.65 / 2.75	5.3 / 5.4	1.65 / 1.75
Motor circuit breaker / Delayed pre fuse (advised)		A	6	10	6
Electrical connection		-	quick connector		
Air flow rate (free blow)	enclosure	m ³ /h	600/625		
Operating temperature	ambient	°C (°F)	+20 / +55 (+68 / +131)		
	enclosure	°C (°F)	+20 / +45 (+68 / +113)		
Refrigerant /charge		- g	R134a 390		
Condensate management		-	Condensate evaporator with safety overflow		
Protection degree EN60529/1	ambient	-	IP34		
	enclosure	-	IP54 (when installed on enclosure with the same protection degree)		
Design	casing	-	Galvanised sheet steel		
	cover	-	Galvanised sheet steel powder coated RAL7035		
		-	stainless steel AISI304 (add OX at the end of the article code)		
Package Dimension H x W x D		mm	690x345x250		
Weight (with packaging)		kg	23 (24)	30 (31)	30 (31)
Conformity / Certifications		-	CE		

Accessories		
Door limit switch		FINCOR
Kit air filter polyurethane mat		KFV.02P
Flow diverter		FD085

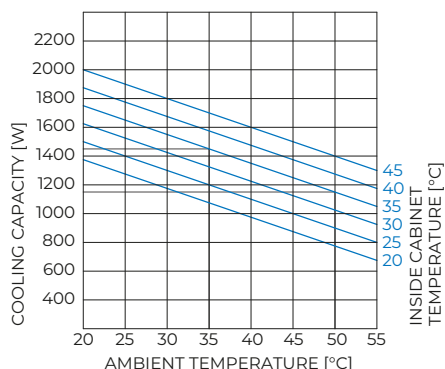
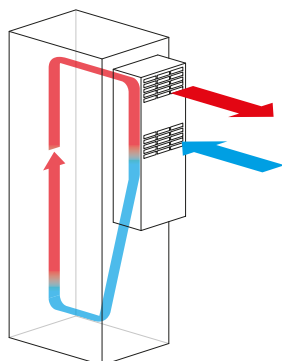


Specifications, values and drawings are subject to change without notice.



AVC145

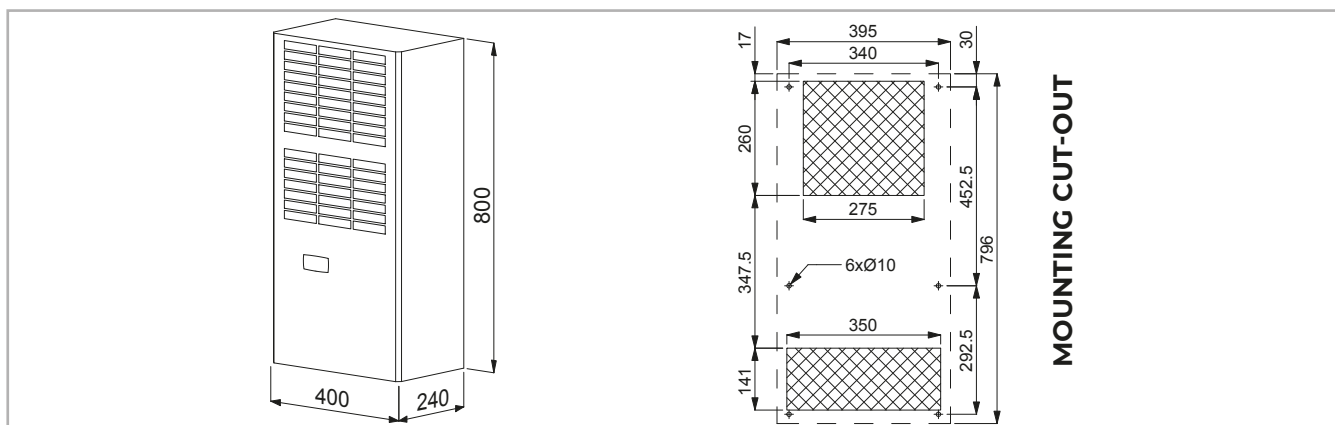
WALL MOUNT AIR CONDITIONER FOR INDOOR APPLICATION



CONTROL TYPE		ARTICLE CODE			
Digital thermostat with alarms		AVC145.002	AVC145.012	AVC145.022	
Digital thermostat with alarms and RS485 port (ModBUS)		AVC145.003	AVC145.013	AVC145.023	
FEATURES		Unit			
Power supply		V ph Hz	230 1 50/60	115 1 50/60	400 2 50/60
Cooling capacity EN14511	A35-A35	W	1450 / 1500		
	A35-A50	W	1150 / 1200		
Absorbed electric power EN14511	A35-A35	W	660 / 700		
	A35-A50	W	800 / 860		
Rated current		A	3.7 / 4.2	7.4 / 8.4	1.35 / 2.1
Motor circuit breaker / Delayed pre fuse (advised)		A	10	10	10
Electrical connection		-	quick connector		
Air flow rate (free blow)	enclosure	m ³ /h	600/625		
Operating temperature	ambient	°C (°F)	+20 / +55 (+68 / +131)		
	enclosure	°C (°F)	+20 / +45 (+68 / +113)		
Refrigerant /charge		- g	R134a 700		
Condensate management		-	Condensate evaporator with safety overflow		
Protection degree EN60529/1	ambient	-	IP34		
	enclosure	-	IP54 (when installed on enclosure with the same protection degree)		
Design	casing	-	Galvanised sheet steel		
	cover	-	Galvanised sheet steel powder coated RAL7035		
		-	stainless steel AISI304 (add OX at the end of the article code)		
Package Dimension H x W x D		mm	875x455x280		
Weight (with packaging)		kg	37 (38)	49 (50)	49 (50)
Conformity / Certifications		-	CE		

Accessories

Door limit switch	FINCOR
Kit air filter polyurethane mat	KFV.03P
Flow diverter	FD145

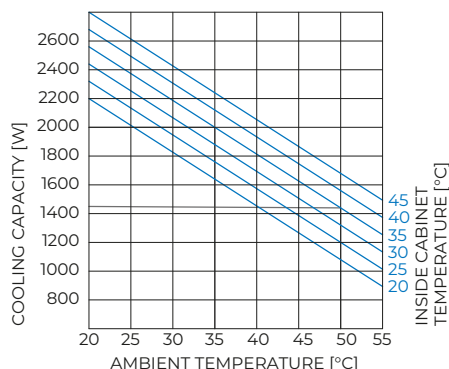
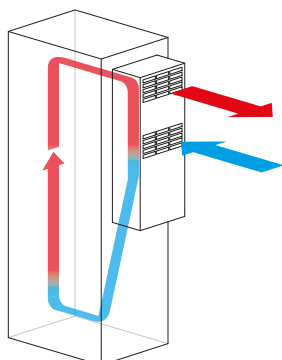


Specifications, values and drawings are subject to change without notice.



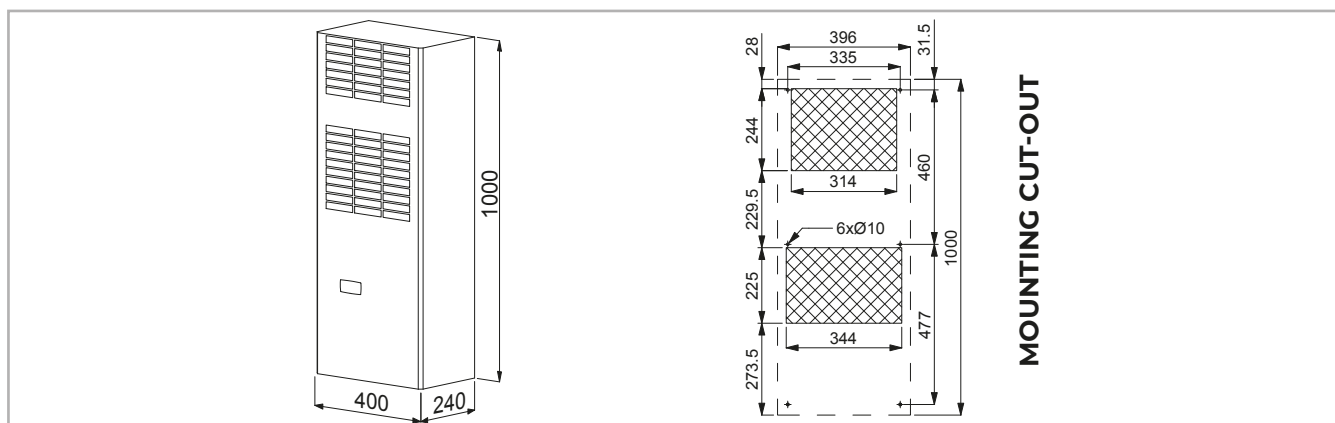
AVC200

WALL MOUNT AIR CONDITIONER FOR INDOOR APPLICATION



CONTROL TYPE		ARTICLE CODE		
Digital thermostat with alarms		AVC200.002	AVC200.012	AVC200.022
Digital thermostat with alarms and RS485 port (ModBUS)		AVC200.003	AVC200.013	AVC200.023
FEATURES		Unit		
Power supply		V ph Hz	230 1 50/60	115 1 50/60
Cooling capacity EN14511	A35-A35	W	2000 / 2100	
	A35-A50	W	1450 / 1500	
Absorbed electric power EN14511	A35-A35	W	1060 / 1100	
	A35-A50	W	1240 / 1300	
Rated current		A	6.6 / 6.9	13.0 / 13.8
Motor circuit breaker / Delayed pre fuse (advised)		A	10	10
Electrical connection		-	quick connector	
Air flow rate (free blow)	enclosure	m ³ /h	600/625	
Operating temperature	ambient	°C (°F)	+20 / +55 (+68 / +131)	
	enclosure	°C (°F)	+20 / +45 (+68 / +113)	
Refrigerant /charge		- g	R134a 450	
Condensate management		-	Condensate evaporator with safety overflow	
Protection degree EN60529/1	ambient	-	IP34	
	enclosure	-	IP54 (when installed on enclosure with the same protection degree)	
Design	casing	-	Galvanised sheet steel	
	cover	-	Galvanised sheet steel powder coated RAL7035	
		-	stainless steel AISI304 (add 0X at the end of the article code)	
Package Dimension H x W x D		mm	1070x460x265	
Weight (with packaging)		kg	49 (50)	57 (58)
Conformity / Certifications		-	CE	

Accessories		
Door limit switch		FINCOR
Kit air filter polyurethane mat		KFV.04P
Flow diverter		FD200

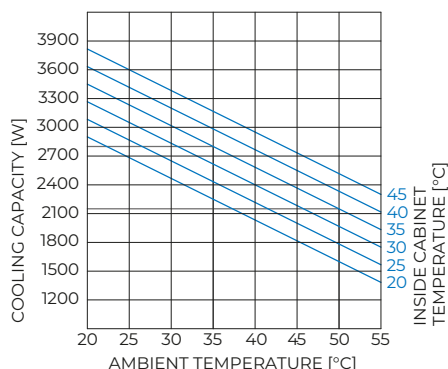
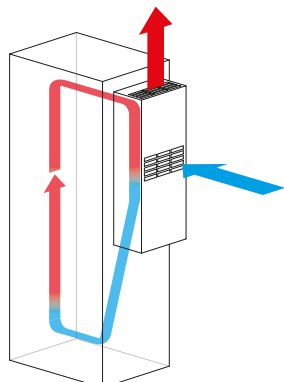


MOUNTING CUT-OUT



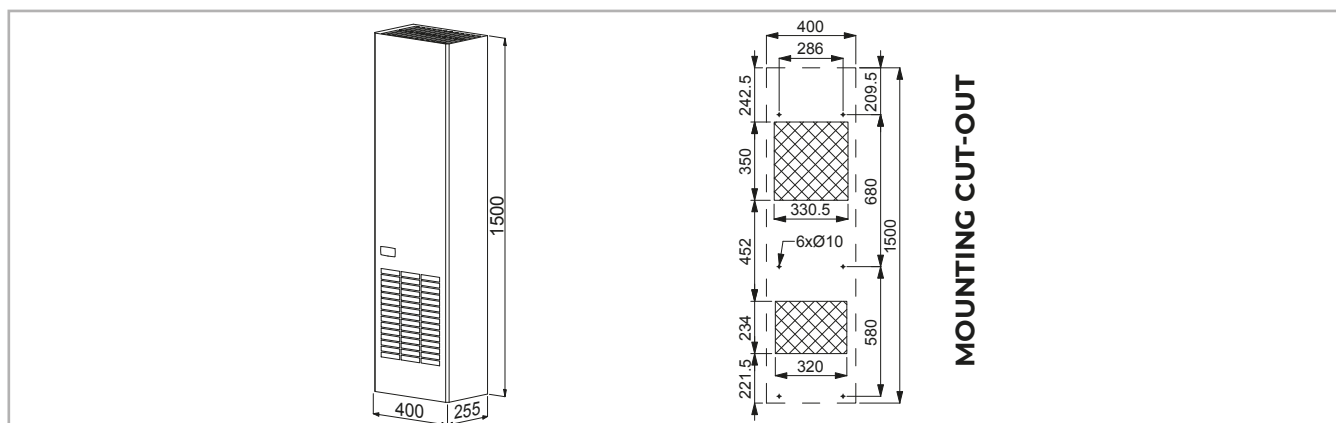
AVC300

WALL MOUNT AIR CONDITIONER FOR INDOOR APPLICATION



CONTROL TYPE		ARTICLE CODE	
Digital thermostat with alarms		AVC300.432	
Digital thermostat with alarms and RS485 port (ModBUS)		AVC300.433	
FEATURES		Unit	
Power supply		V ph Hz	400 3 50 / 460 3 60
Cooling capacity EN14511	A35-A35	W	2800 / 2950
	A35-A50	W	2150 / 2330
Absorbed electric power EN14511	A35-A35	W	2090 / 2200
	A35-A50	W	2400 / 2550
Rated current		A	2.2 / 2.6
Motor circuit breaker / Delayed pre fuse (advised)		A	16
Electrical connection		-	quick connector
Air flow rate (free blow)	enclosure	m ³ /h	860/950
Operating temperature	ambient	°C (°F)	+20 / +55 (+68 / +131) +20 / +50 (+68 / +122)
	enclosure	°C (°F)	+20 / +45 (+68 / +113)
Refrigerant /charge		- g	R134a 1000
Condensate management		-	Condensate evaporator with safety overflow
Protection degree EN60529/1	ambient	-	IP34
	enclosure	-	IP54 (when installed on enclosure with the same protection degree)
Design	casing	-	Galvanised sheet steel
	cover	-	Galvanised sheet steel powder coated RAL7035
		-	stainless steel AISI304 (add 0X at the end of the article code)
Package Dimension H x W x D		mm	1610x435x290
Weight (with packaging)		kg	75 (78)
Conformity / Certifications		-	CE

Accessories		
Door limit switch		FINCOR
Kit air filter polyurethane mat		KFV.05P
Flow diverter		FD400

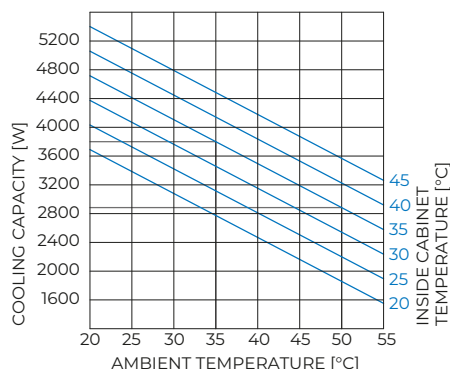
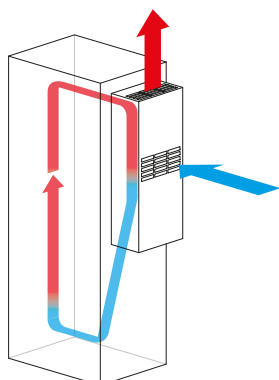


Specifications, values and drawings are subject to change without notice.



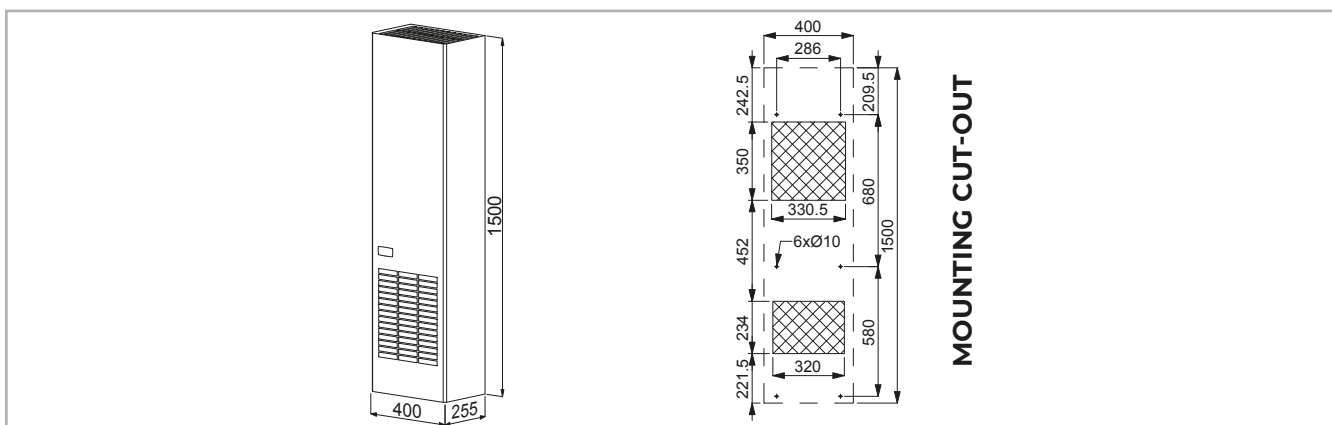
AVC400

WALL MOUNT AIR CONDITIONER FOR INDOOR APPLICATION



CONTROL TYPE		ARTICLE CODE	
Digital thermostat with alarms		AVC400.432	
Digital thermostat with alarms and RS485 port (ModBUS)		AVC400.433	
FEATURES		Unit	
Power supply		V ph Hz	
		400 3 50 / 460 3 60	
Cooling capacity EN14511	A35-A35	W	3800 / 3980
	A35-A50	W	2800 / 3160
Absorbed electric power EN14511	A35-A35	W	2200 / 2320
	A35-A50	W	2600 / 2750
Rated current		A	
		2.7 / 3.0	
Motor circuit breaker / Delayed pre fuse (advised)		A	
		16	
Electrical connection		-	
		quick connector	
Air flow rate (free blow)	enclosure	m³/h	860/950
Operating temperature	ambient	°C (°F)	+20 / +55 (+68 / +131) +20 / +50 (+68 / +122)
	enclosure	°C (°F)	+20 / +45 (+68 / +113)
Refrigerant /charge		- g	R134a 1000
Condensate management		-	
		Condensate evaporator with safety overflow	
Protection degree EN60529/1	ambient	-	IP34
	enclosure	-	IP54 (when installed on enclosure with the same protection degree)
Design	casing	-	Galvanised sheet steel
	cover	-	Galvanised sheet steel powder coated RAL7035
		-	stainless steel AISI304 (add 0X at the end of the article code)
Package Dimension H x W x D		mm	1610x435x290
Weight (with packaging)		kg	75 (78)
Conformity / Certifications		-	CE

Accessories		
Door limit switch		FINCOR
Kit air filter polyurethane mat		KFV.05P
Flow diverter		FD400

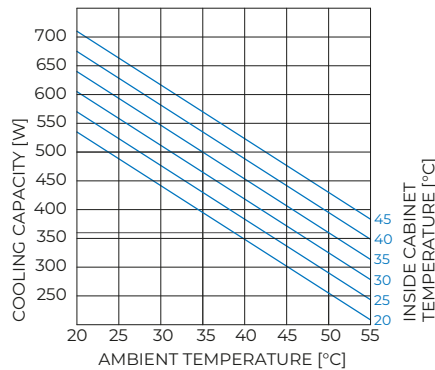
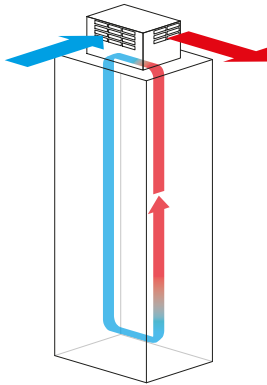


Specifications, values and drawings are subject to change without notice.



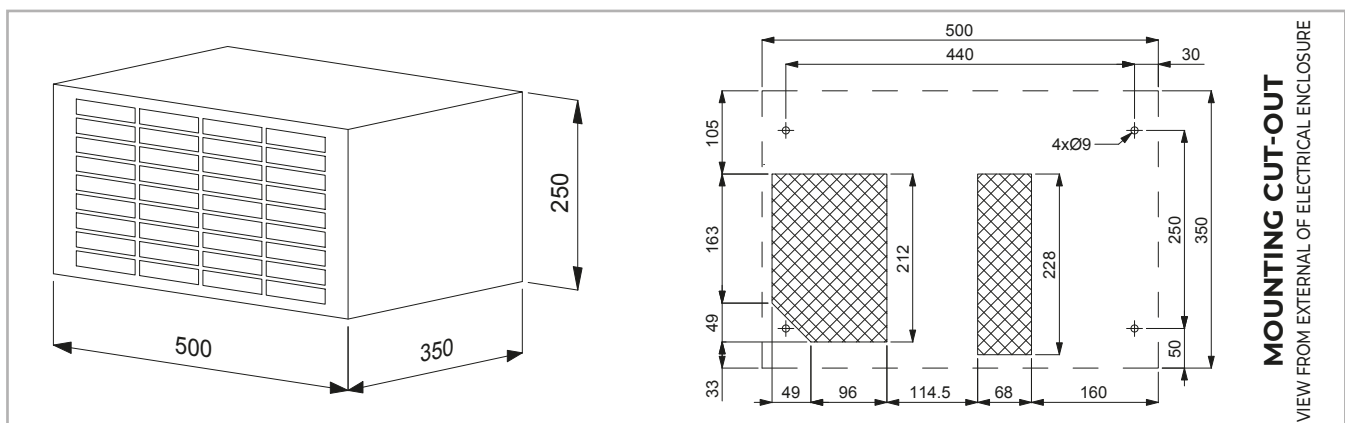
ARC050

ROOF MOUNT AIR CONDITIONER FOR INDOOR APPLICATION



CONTROL TYPE			ARTICLE CODE
Digital thermostat with alarms			ARC050.002
Digital thermostat with alarms and RS485 port (ModBUS)			ARC050.003
FEATURES		Unit	
Power supply		V ph Hz	230 1 50/60
Cooling capacity EN14511	A35-A35	W	500 / 520
	A35-A50	W	360 / 380
Absorbed electric power EN14511	A35-A35	W	270 / 300
	A35-A50	W	300 / 350
Rated current		A	2.0 / 2.2
Motor circuit breaker / Delayed pre fuse (advised)		A	6
Electrical connection		-	quick connector
Air flow rate (free blow)	enclosure	m ³ /h	255 / 290
Operating temperature	ambient	°C (°F)	+20 / +55 (+68 / +131)
	enclosure	°C (°F)	+20 / +45 (+68 / +113)
Refrigerant /charge		- g	R134a 250
Protection degree EN60529/1	ambient	-	IP34
	enclosure	-	IP54 (when installed on enclosure with the same protection degree)
Design	casing	-	Galvanised sheet steel
	cover	-	Galvanised sheet steel powder coated RAL7035
Package Dimension H x W x D		mm	495x640x345
Weight (with packaging)		kg	22 (23)
Conformity / Certifications		-	CE

Accessories		
Door limit switch		FINCOR
Kit air filter polyurethane mat		KFR.01P

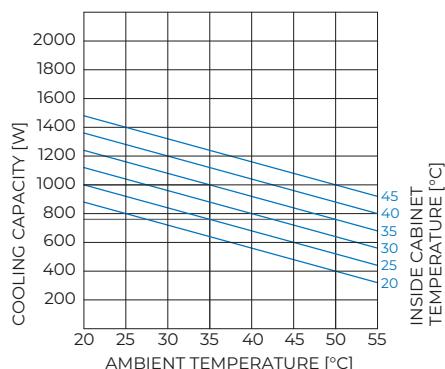
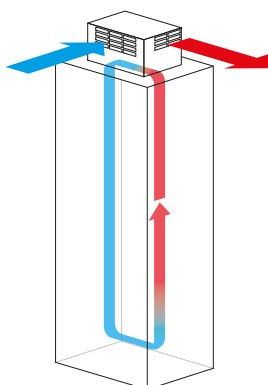


Specifications, values and drawings are subject to change without notice.



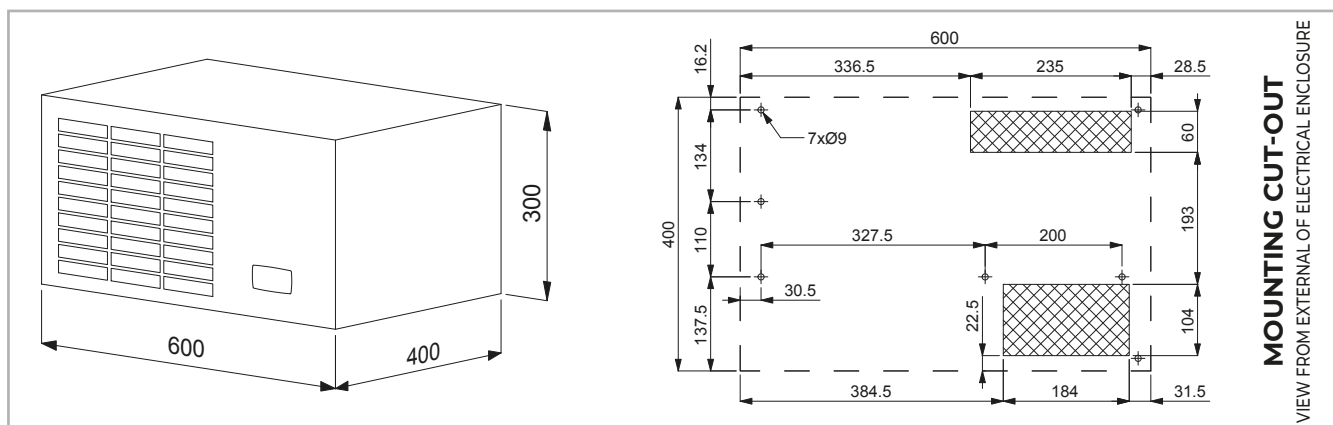
ARC100

ROOF MOUNT AIR CONDITIONER FOR INDOOR APPLICATION



CONTROL TYPE		ARTICLE CODE	
Digital thermostat with alarms		ARC100.002	
Digital thermostat with alarms and RS485 port (ModBUS)		ARC100.003	
FEATURES		Unit	
Power supply		V ph Hz	
		230 1 50/60	
Cooling capacity EN14511	A35-A35	W	1000 / 1060
	A35-A50	W	760 / 790
Absorbed electric power EN14511	A35-A35	W	780 / 850
	A35-A50	W	890 / 970
Rated current		A	
		3.7 / 3.9	
Motor circuit breaker / Delayed pre fuse (advised)		A	
		10	
Electrical connection		-	
		quick connector	
Air flow rate (free blow)	enclosure	m³/h	600 / 625
Operating temperature	ambient	°C (°F)	+20 / +55 (+68 / +131)
	enclosure	°C (°F)	+20 / +45 (+68 / +113)
Refrigerant /charge		- g	
		R134a 500	
Protection degree EN60529/1	ambient	-	
	enclosure	IP34	
Design	casing	-	
	cover	-	
		Galvanised sheet steel powder coated RAL7035	
Package Dimension H x W x D		mm	
		520x755x510	
Weight (with packaging)		kg	
		36 (38)	
Conformity / Certifications		-	
		CE	

Accessories			
Door limit switch		FINCOR	
Kit air filter polyurethane mat		KFR.02P	



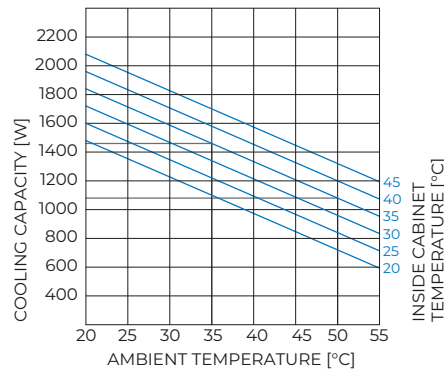
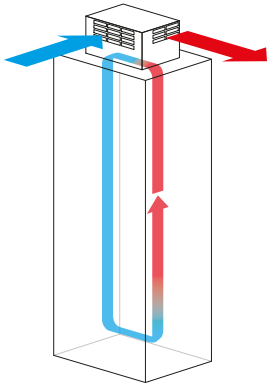
Specifications, values and drawings are subject to change without notice.

AEL-CAT-EN-24-00



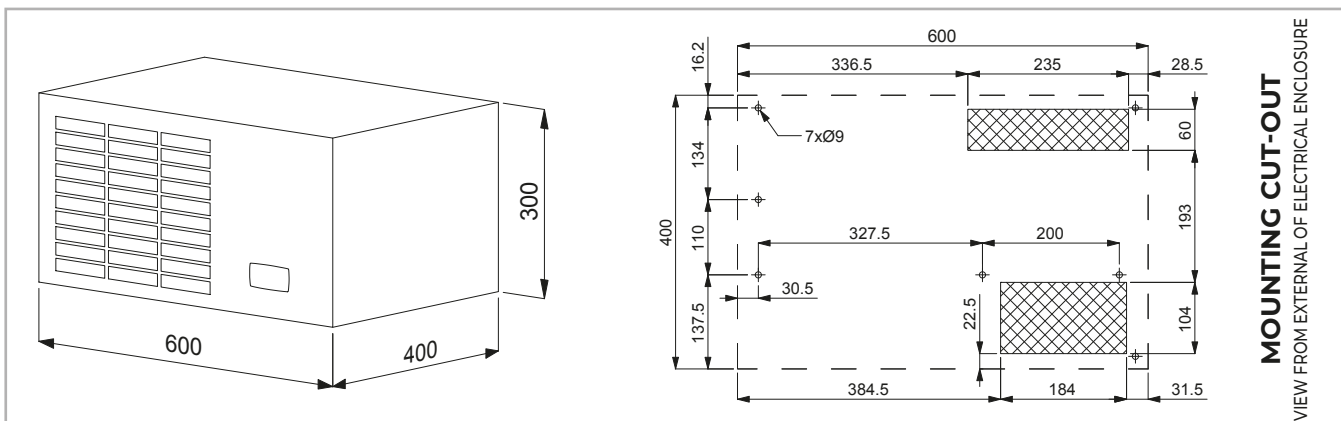
ARC150

ROOF MOUNT AIR CONDITIONER FOR INDOOR APPLICATION



CONTROL TYPE			ARTICLE CODE
Digital thermostat with alarms			ARC150.002
Digital thermostat with alarms and RS485 port (ModBUS)			ARC150.003
FEATURES		Unit	
Power supply		V ph Hz	230 1 50/60
Cooling capacity EN14511	A35-A35	W	1460 / 1520
	A35-A50	W	1090 / 1130
Absorbed electric power EN14511	A35-A35	W	870 / 930
	A35-A50	W	1050 / 1180
Rated current		A	4.6 / 4.8
Motor circuit breaker / Delayed pre fuse (advised)		A	10
Electrical connection		-	quick connector
Air flow rate (free blow)	enclosure	m³/h	600 / 625
Operating temperature	ambient	°C (°F)	+20 / +55 (+68 / +131)
	enclosure	°C (°F)	+20 / +45 (+68 / +113)
Refrigerant / charge		- g	R134a 500
Protection degree EN60529/1	ambient	-	IP34
	enclosure	-	IP54 (when installed on enclosure with the same protection degree)
Design	casing	-	Galvanised sheet steel
	cover	-	Galvanised sheet steel powder coated RAL7035
Package Dimension H x W x D		mm	520x755x510
Weight (with packaging)		kg	37 (39)
Conformity / Certifications		-	CE

Accessories		
Door limit switch		FINCOR
Kit air filter polyurethane mat		KFR.02P

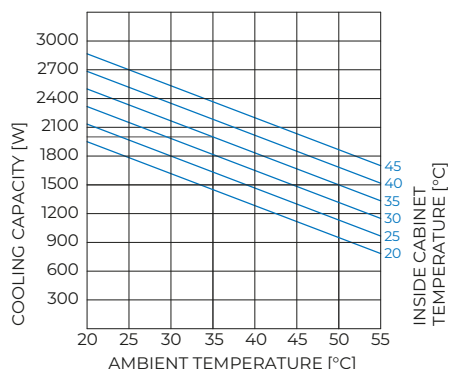
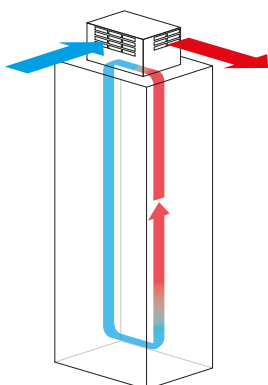


Specifications, values and drawings are subject to change without notice.



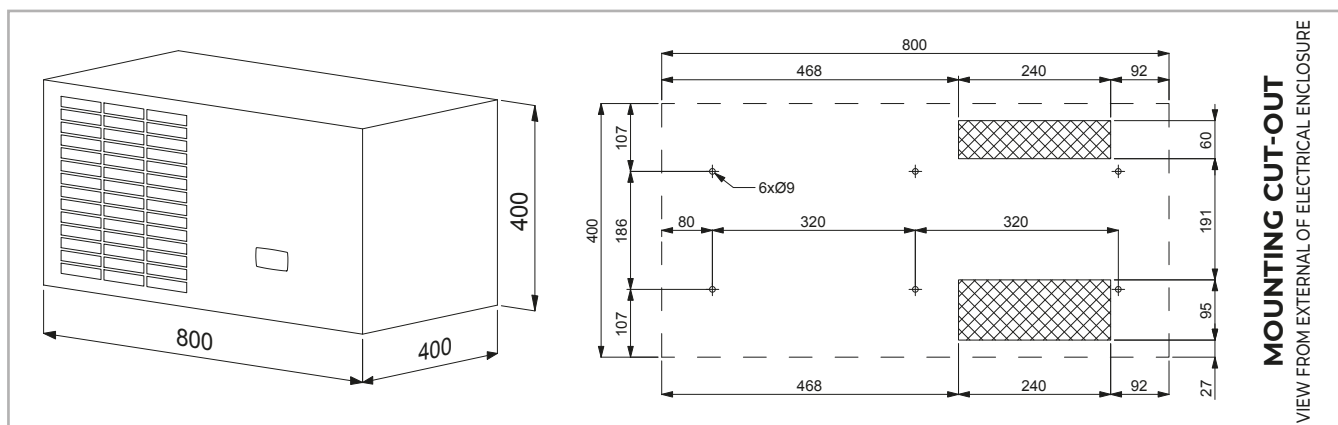
ARC200

ROOF MOUNT AIR CONDITIONER FOR INDOOR APPLICATION



CONTROL TYPE		ARTICLE CODE	
Digital thermostat with alarms		ARC200.002	
Digital thermostat with alarms and RS485 port (ModBUS)		ARC200.003	
FEATURES		Unit	
Power supply		V ph Hz	
		230 1 50/60	
Cooling capacity EN14511	A35-A35	W	2000 / 2110
	A35-A50	W	1500 / 1570
Absorbed electric power EN14511	A35-A35	W	900 / 1050
	A35-A50	W	1100 / 1250
Rated current		A	
		5.1 / 6.2	
Motor circuit breaker / Delayed pre fuse (advised)		A	
		10	
Electrical connection		-	
		quick connector	
Air flow rate (free blow)	enclosure	m³/h	860 / 950
Operating temperature	ambient	°C (°F)	+20 / +55 (+68 / +131)
	enclosure	°C (°F)	+20 / +45 (+68 / +113)
Refrigerant /charge		- g	
		R134a 750	
Protection degree EN60529/1	ambient	-	
	enclosure	IP54 (when installed on enclosure with the same protection degree)	
Design	casing	-	
	cover	Galvanised sheet steel powder coated RAL7035	
Package Dimension H x W x D		mm	
		480x865x440	
Weight (with packaging)		kg	
		54 (57)	
Conformity / Certifications		-	
		CE	

Accessories			
Door limit switch		FINCOR	
Kit air filter polyurethane mat		KFR.03P	

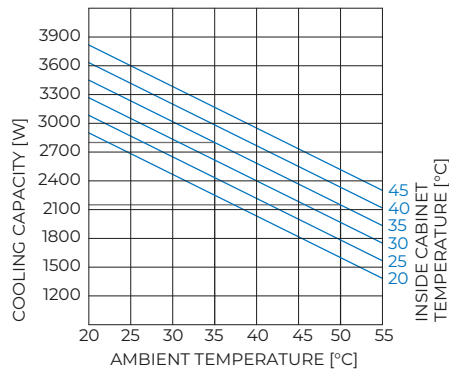
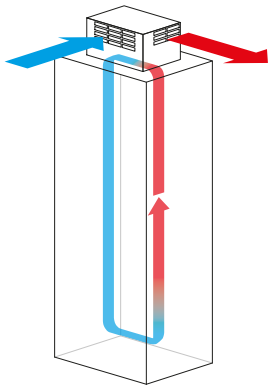


Specifications, values and drawings are subject to change without notice.



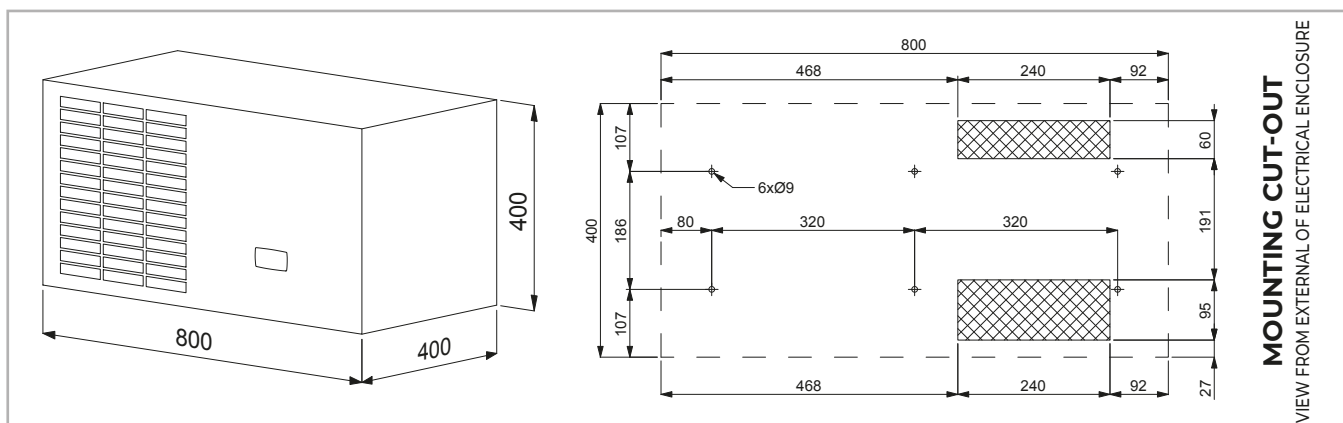
ARC300

ROOF MOUNT AIR CONDITIONER FOR INDOOR APPLICATION



CONTROL TYPE		ARTICLE CODE	
Digital thermostat with alarms		ARC300.432	
Digital thermostat with alarms and RS485 port (ModBUS)		ARC300.433	
FEATURES		Unit	
Power supply		V ph Hz	
		400 3 50 / 460 3 60	
Cooling capacity EN14511	A35-A35	W	2800 / 2930
	A35-A50	W	2110 / 2300
Absorbed electric power EN14511	A35-A35	W	1700 / 1810
	A35-A50	W	2270 / 2390
Rated current		A	
		2.8 / 3.4	
Motor circuit breaker / Delayed pre fuse (advised)		A	
		16	
Electrical connection		-	
		quick connector	
Air flow rate (free blow)	enclosure	m ³ /h	860 / 950
Operating temperature	ambient	°C (°F)	+20 / +55 (+68 / +131) +20 / +50 (+68 / +122)
	enclosure	°C (°F)	+20 / +45 (+68 / +113)
Refrigerant / charge		- g	R134a 900
Protection degree EN60529/1	ambient	-	IP34
	enclosure	-	IP54 (when installed on enclosure with the same protection degree)
Design	casing	-	Galvanised sheet steel
	cover	-	Galvanised sheet steel powder coated RAL7035
Package Dimension H x W x D		mm	480x865x440
Weight (with packaging)		kg	65 (67)
Conformity / Certifications		-	CE

Accessories		
Door limit switch		FINCOR
Kit air filter polyurethane mat		KFR.03P

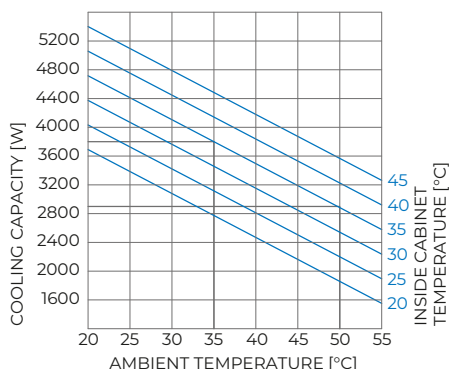
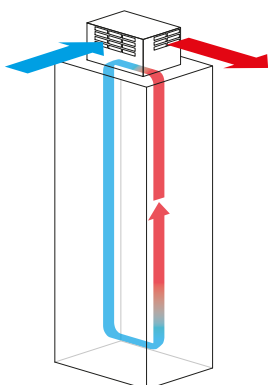


Specifications, values and drawings are subject to change without notice.



ARC400

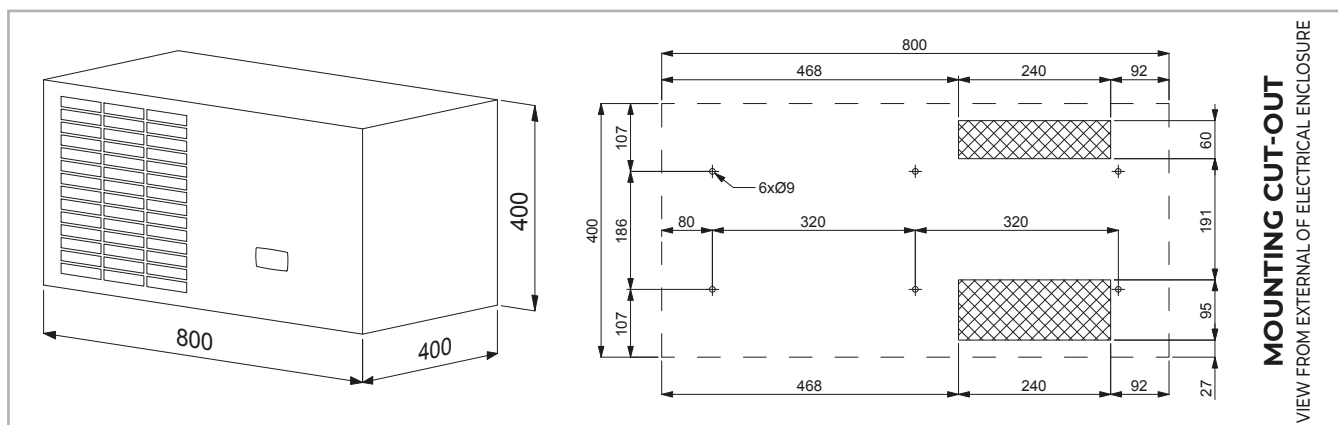
ROOF MOUNT AIR CONDITIONER FOR INDOOR APPLICATION



CONTROL TYPE		ARTICLE CODE	
Digital thermostat with alarms		ARC400.432	
Digital thermostat with alarms and RS485 port (ModBUS)		ARC400.433	
FEATURES		Unit	
Power supply		V ph Hz	
		400 3 50 / 460 3 60	
Cooling capacity EN14511	A35-A35	W	3800 / 3980
	A35-A50	W	2840 / 3150
Absorbed electric power EN14511	A35-A35	W	1900 / 2030
	A35-A50	W	2450 / 2600
Rated current		A	
		4.0 / 4.8	
Motor circuit breaker / Delayed pre fuse (advised)		A	
		16	
Electrical connection		-	
		quick connector	
Air flow rate (free blow)	enclosure	m ³ /h	860 / 950
Operating temperature	ambient	°C (°F)	+20 / +55 (+68 / +131) +20 / +50 (+68 / +122)
	enclosure	°C (°F)	+20 / +45 (+68 / +113)
Refrigerant /charge		- g	R134a 900
Protection degree EN60529/1	ambient	-	IP34
	enclosure	-	IP54 (when installed on enclosure with the same protection degree)
Design	casing	-	Galvanised sheet steel
	cover	-	Galvanised sheet steel powder coated RAL7035
Package Dimension H x W x D		mm	480x865x440
Weight (with packaging)		kg	65 (67)
Conformity / Certifications		-	CE

Accessories

Door limit switch	FINCOR
Kit air filter polyurethane mat	KFR.03P

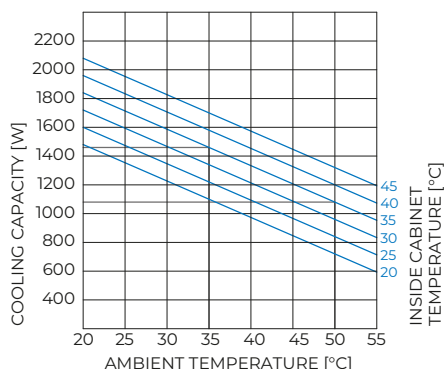
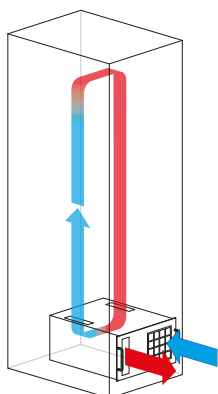


Specifications, values and drawings are subject to change without notice.



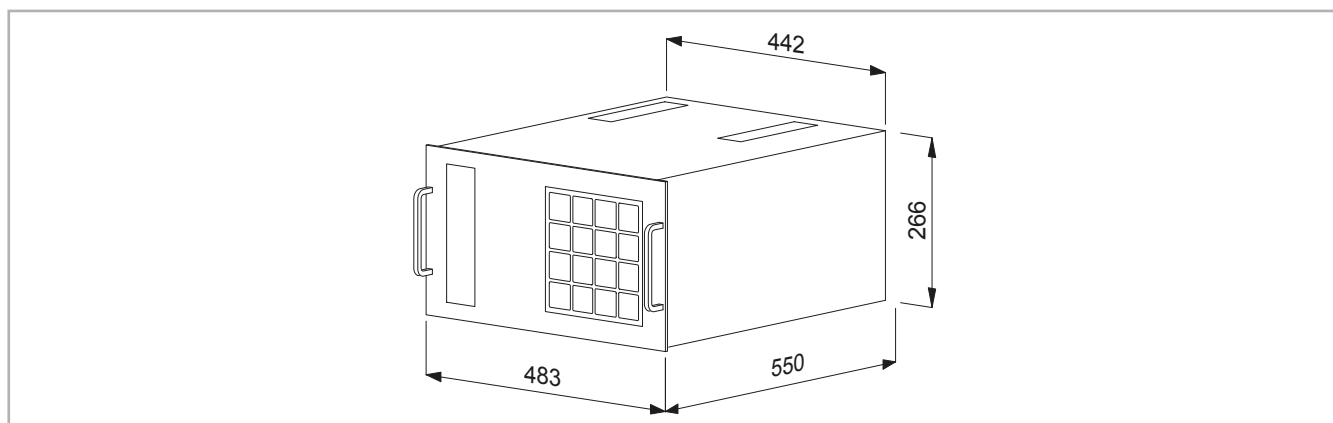
ARK150

AIR CONDITIONER FOR 19" ENCLOSURES



CONTROL TYPE			ARTICLE CODE
Mechanical thermostat			ARK150.000
FEATURES		Unit	
Power supply		V ph Hz	230 1 50/60
Cooling capacity EN14511	A35-A35	W	1450 / 1500
	A35-A50	W	1080 / 1130
Absorbed electric power EN14511	A35-A35	W	820 / 950
	A35-A50	W	1060 / 1190
Rated current		A	4.9 / 5.5
Motor circuit breaker / Delayed pre fuse (advised)		A	10
Air flow rate (free blow)	enclosure	m³/h	600 / 625
	ambient	°C (°F)	+20 / +55 (+68 / +131)
Operating temperature	enclosure	°C (°F)	+20 / +45 (+68 / +113)
	Refrigerant /charge	- g	R134a 350
Protection degree EN60529/1	ambient	-	IP34
	enclosure	-	IP54 (when installed on enclosure with the same protection degree)
Design	casing	-	Galvanised sheet steel
	cover	-	Galvanised sheet steel powder coated RAL7035 / Aluminium
	Package Dimension H x W x D	mm	300x500x620
Weight (with packaging)		kg	36 (37)
Conformity / Certifications		-	CE

Accessories	
Door limit switch	FINCOR



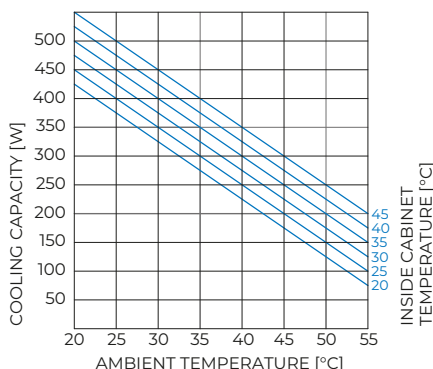
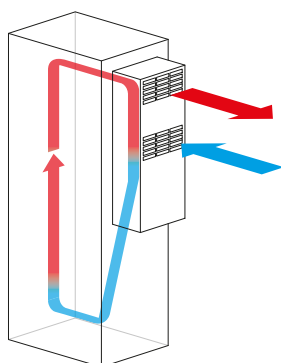
Specifications, values and drawings are subject to change without notice.

AEL-CAT-EN-24-00



AVE035

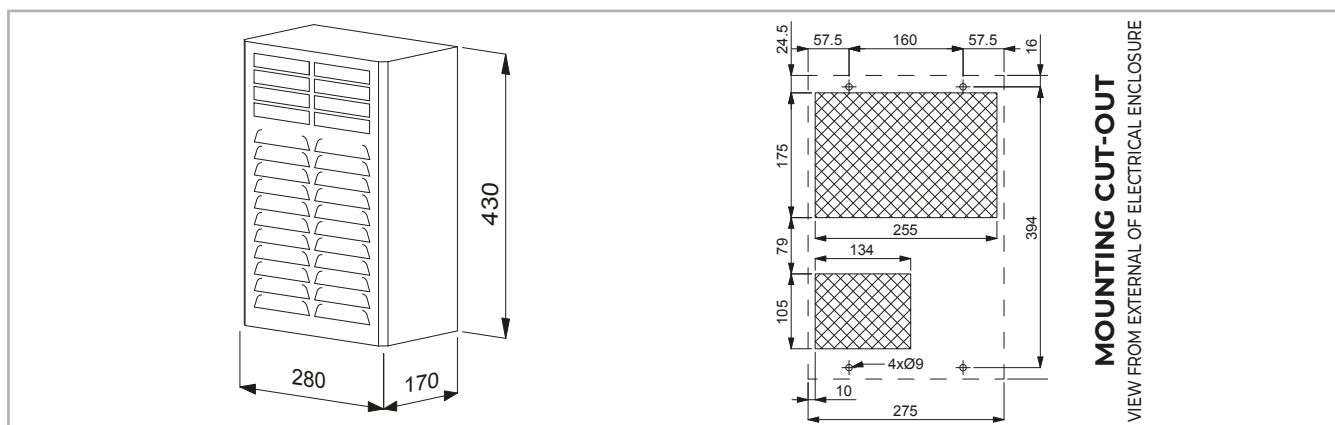
WALL MOUNT AIR CONDITIONER FOR OUTDOOR APPLICATION



CONTROL TYPE		ARTICLE CODE			
Digital thermostat with alarms		AVE035.002	AVE035.012	AVE035.022	
Digital thermostat with alarms and RS485 port (ModBUS)		AVE035.003	AVE035.013	AVE035.023	
FEATURES		Unit			
Power supply		V ph Hz	230 1 50/60	115 1 50/60	400 2 50/60
Cooling capacity EN14511	A35-A35	W	350 / 370		
	A35-A50	W	200 / 220		
Absorbed electric power EN14511	A35-A35	W	290 / 320		
	A35-A50	W	320 / 350		
Rated current		A	1.5 / 1.6	3.0 / 3.2	0.9 / 1.0
Motor circuit breaker / Delayed pre fuse (advised)		A	4	6	4
Electrical connection		-	quick connector		
Air flow rate (free blow)	enclosure	m ³ /h	255 / 290		
Operating temperature	ambient	°C (°F)	+5 / +55 (+41 / +131)		
	ambient	°C (°F)	-25 / +55 (-13 / +131) (Add 11 at the end of the article code)		
	enclosure	°C (°F)	+20 / +45 (+68 / +113)		
Refrigerant /charge		- g	R134a 300		
Protection degree EN60529/1	ambient	-	IP34		
	enclosure	-	IP54 (when installed on enclosure with the same protection degree)		
Design	casing	-	Galvanised sheet steel		
	cover	-	Galvanised sheet steel powder coated RAL7035		
		-	stainless steel AISI304 (add 0X at the end of the article code)		
Package Dimension H x W x D		mm	470x340x200		
Weight (with packaging)		kg	15 (16)	17 (18)	17 (18)
Conformity / Certifications		-	CE		

Accessories

Door limit switch	FINCOR
Flow diverter	FD035

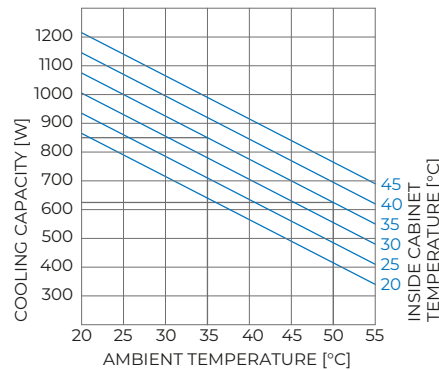
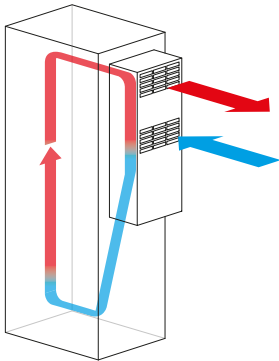


Specifications, values and drawings are subject to change without notice.



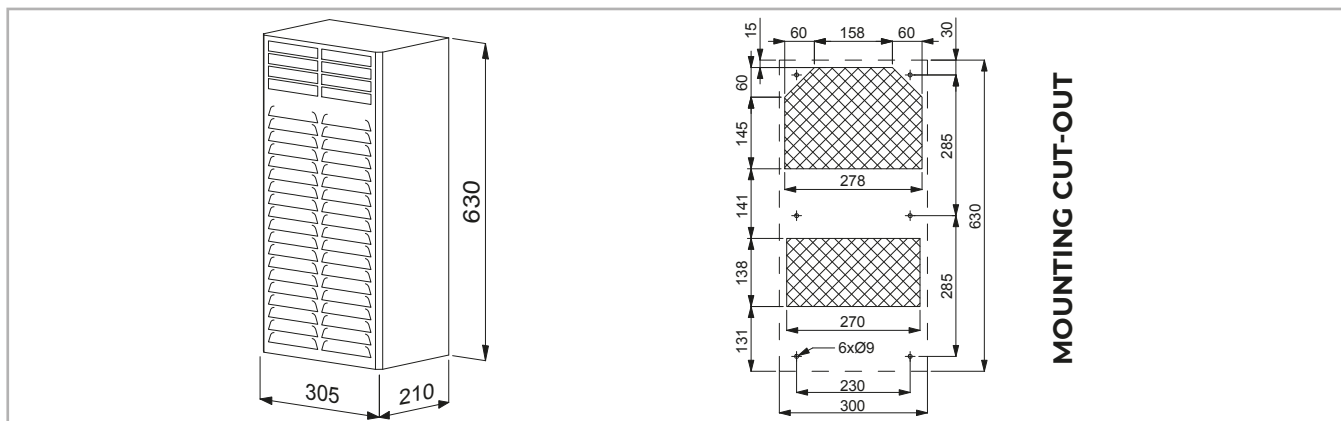
AVE085

WALL MOUNT AIR CONDITIONER FOR OUTDOOR APPLICATION



CONTROL TYPE			ARTICLE CODE		
Digital thermostat with alarms			AVE085.002	AVE085.012	AVE085.022
Digital thermostat with alarms and RS485 port (ModBUS)			AVE085.003	AVE085.013	AVE085.023
FEATURES		Unit			
Power supply		V ph Hz	230 1 50/60	115 1 50/60	400 2 50/60
Cooling capacity EN14511	A35-A35	W	850 / 900		
	A35-A50	W	625 / 650		
Absorbed electric power EN14511	A35-A35	W	490 / 530		
	A35-A50	W	600 / 640		
Rated current		A	2.65 / 2.75	5.3 / 5.4	1.65 / 1.75
Motor circuit breaker / Delayed pre fuse (advised)		A	6	10	6
Electrical connection		-	quick connector		
Air flow rate (free blow)	enclosure	m ³ /h	600 / 625		
Operating temperature	ambient	°C (°F)	+5 / +55 (+41 / +131)		
	ambient	°C (°F)	-25 / +55 (-13 / +131) (Add 11 at the end of the article code)		
	enclosure	°C (°F)	+20 / +45 (+68 / +113)		
Refrigerant / charge		- g	R134a 390		
Condensate management		-	Condensate evaporator with safety overflow		
Protection degree EN60529/1	ambient	-	IP34		
	enclosure	-	IP54 (when installed on enclosure with the same protection degree)		
Design	casing	-	Galvanised sheet steel		
	cover	-	Galvanised sheet steel powder coated RAL7035		
		-	stainless steel AISI304 (add 0X at the end of the article code)		
Package Dimension H x W x D		mm	690x345x250		
Weight (with packaging)		kg	23 (24)	30 (31)	30 (31)
Conformity / Certifications		-	CE		

Accessories		
Door limit switch		FINCOR
Flow diverter		FD085

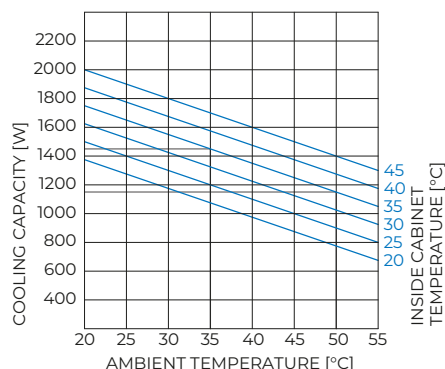
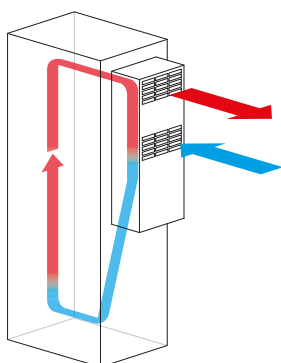


Specifications, values and drawings are subject to change without notice.



AVE145

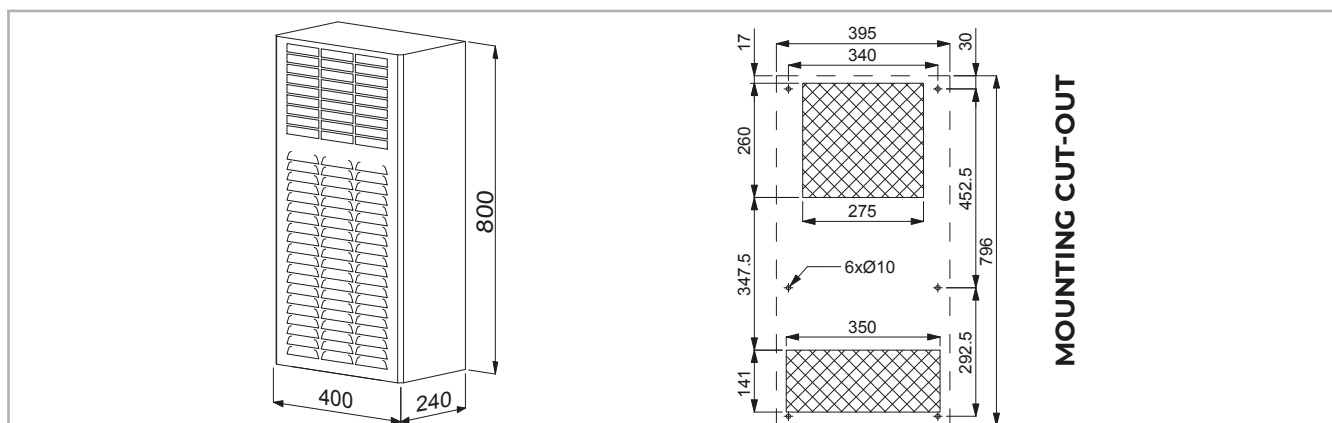
WALL MOUNT AIR CONDITIONER FOR OUTDOOR APPLICATION



CONTROL TYPE		ARTICLE CODE		
Digital thermostat with alarms		AVE145.002	AVE145.012	AVE145.022
Digital thermostat with alarms and RS485 port (ModBUS)		AVE145.003	AVE145.013	AVE145.023
FEATURES		Unit		
Power supply		V ph Hz	230 1 50/60	115 1 50/60
Cooling capacity EN14511	A35-A35	W	1450 / 1500	
	A35-A50	W	1150 / 1200	
Absorbed electric power EN14511	A35-A35	W	660 / 700	
	A35-A50	W	800 / 860	
Rated current		A	3.7 / 4.2	7.4 / 8.4
Motor circuit breaker / Delayed pre fuse (advised)		A	10	10
Electrical connection		-	quick connector	
Air flow rate (free blow)	enclosure	m³/h	600 / 625	
Operating temperature	ambient	°C (°F)	+5 / +55 (+41 / +131)	
	ambient	°C (°F)	-25 / +55 (-13 / +131) (Add 11 at the end of the article code)	
	enclosure	°C (°F)	+20 / +45 (+68 / +113)	
Refrigerant /charge		- g	R134a 700	
Condensate management		-	Condensate evaporator with safety overflow	
Protection degree EN60529/1	ambient	-	IP34	
	enclosure	-	IP54 (when installed on enclosure with the same protection degree)	
Design	casing	-	Galvanised sheet steel	
	cover	-	Galvanised sheet steel powder coated RAL7035	
		-	stainless steel AISI304 (add 0X at the end of the article code)	
Package Dimension H x W x D		mm	875x455x280	
Weight (with packaging)		kg	37 (38)	49 (50)
Conformity / Certifications		-	CE	

Accessories

Door limit switch	FINCOR
Flow diverter	FD145

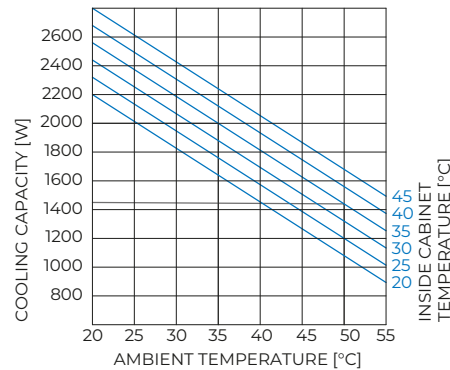
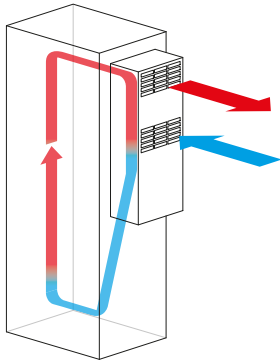


Specifications, values and drawings are subject to change without notice.



AVE200

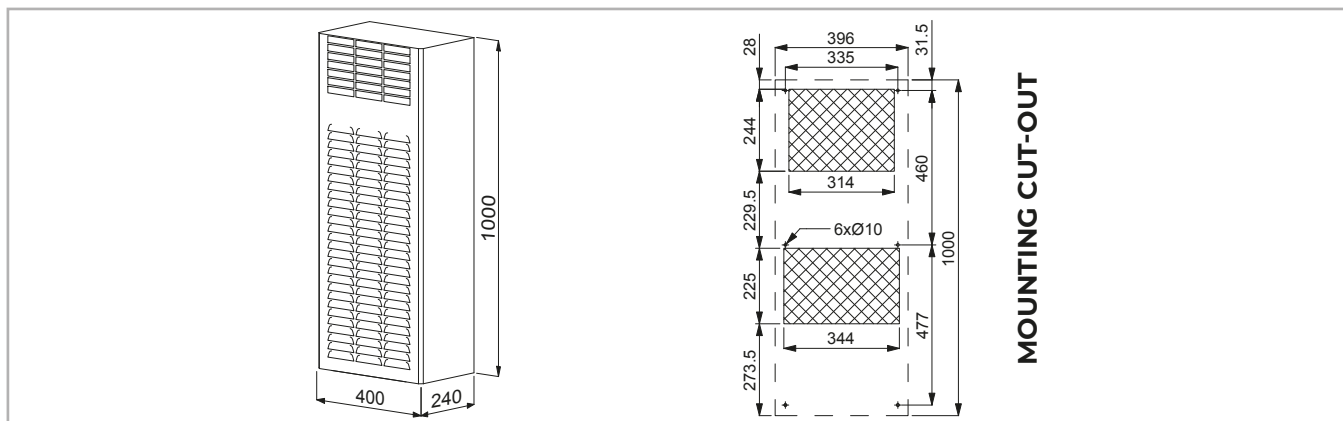
WALL MOUNT AIR CONDITIONER FOR OUTDOOR APPLICATION



CONTROL TYPE			ARTICLE CODE		
Digital thermostat with alarms			AVE200.002	AVE200.012	AVE200.022
Digital thermostat with alarms and RS485 port (ModBUS)			AVE200.003	AVE200.013	AVE200.023
FEATURES		Unit			
Power supply		V ph Hz	230 1 50/60	115 1 50/60	400 2 50/60
Cooling capacity EN14511	A35-A35	W	2000 / 2100		
	A35-A50	W	1450 / 1500		
Absorbed electric power EN14511	A35-A35	W	1060 / 1100		
	A35-A50	W	1240 / 1300		
Rated current		A	6.6 / 6.9	13.0 / 13.8	3.3 / 3.5
Motor circuit breaker / Delayed pre fuse (advised)		A	10	10	10
Electrical connection		-	quick connector		
Air flow rate (free blow)	enclosure	m ³ /h	600 / 625		
	ambient	°C (°F)	+5 / +55 (+41 / +131)		
Operating temperature	ambient	°C (°F)	-25 / +55 (-13 / +131) (Add 11 at the end of the article code)		
	enclosure	°C (°F)	+20 / +45 (+68 / +113)		
Refrigerant /charge		- g	R134a 450		
Condensate management		-	Condensate evaporator with safety overflow		
Protection degree EN60529/1	ambient	-	IP34		
	enclosure	-	IP54 (when installed on enclosure with the same protection degree)		
Design	casing	-	Galvanised sheet steel		
	cover	-	Galvanised sheet steel powder coated RAL7035		
		-	stainless steel AISI304 (add 0X at the end of the article code)		
Package Dimension H x W x D		mm	1070x460x265		
Weight (with packaging)		kg	49 (50)	57 (58)	57 (58)
Conformity / Certifications		-	CE		

Accessories

Door limit switch	FINCOR
Flow diverter	FD200

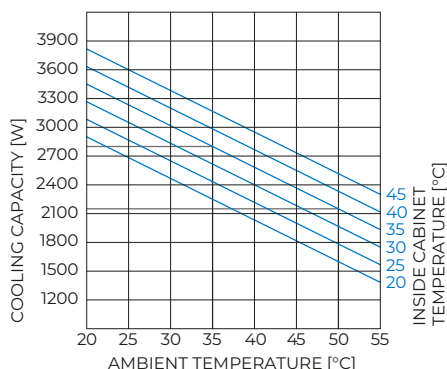
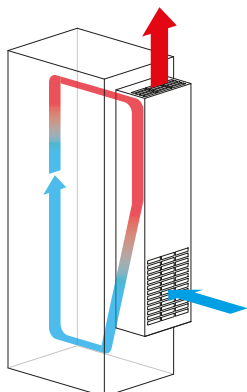


Specifications, values and drawings are subject to change without notice.



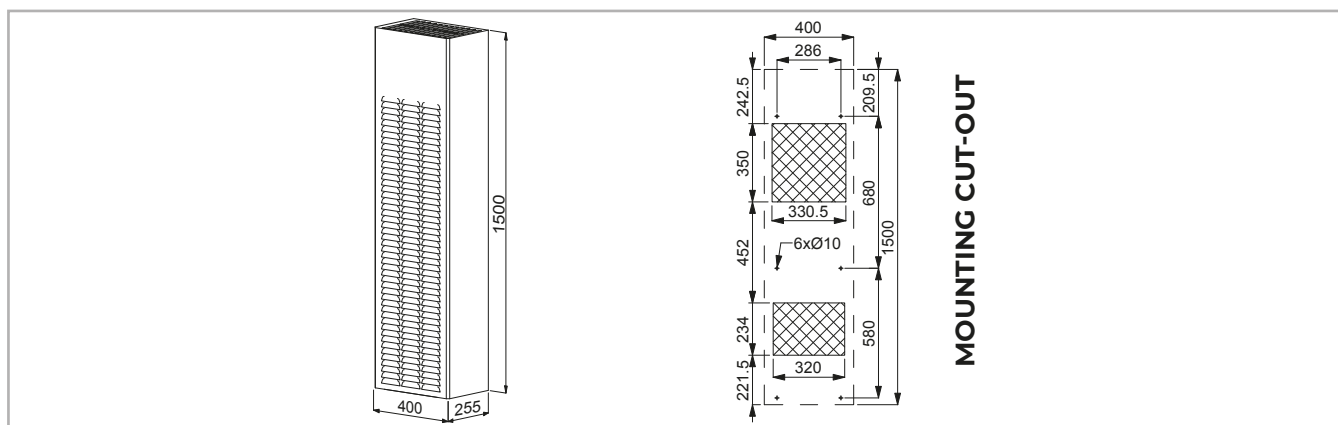
AVE300

WALL MOUNT AIR CONDITIONER FOR OUTDOOR APPLICATION



CONTROL TYPE		ARTICLE CODE	
Digital thermostat with alarms		AVE300.432	
Digital thermostat with alarms and RS485 port (ModBUS)		AVE300.433	
FEATURES		Unit	
Power supply		V ph Hz	400 3 50 / 460 3 60
Cooling capacity EN14511	A35-A35	W	2800 / 2950
	A35-A50	W	2150 / 2330
Absorbed electric power EN14511	A35-A35	W	2090 / 2200
	A35-A50	W	2400 / 2550
Rated current		A	2.2 / 2.6
Motor circuit breaker / Delayed pre fuse (advised)		A	16
Electrical connection		-	quick connector
Air flow rate (free blow)	enclosure	m ³ /h	860 / 950
Operating temperature	ambient	°C (°F)	+5 / +55 (+41 / +131) +5 / +50 (+41 / +122)
	ambient	°C (°F)	-25 / +55 (-13 / +131) -25 / +50 (-13 / +122) (Add 11 at the end of the article code)
	enclosure	°C (°F)	+20 / +45 (+68 / +113)
Refrigerant /charge		- g	R134a 1000
Condensate management		-	Condensate evaporator with safety overflow
Protection degree EN60529/1	ambient	-	IP34
	enclosure	-	IP54 (when installed on enclosure with the same protection degree)
Design	casing	-	Galvanised sheet steel
	cover	-	Galvanised sheet steel powder coated RAL7035
		-	stainless steel AISI304 (add 0X at the end of the article code)
Package Dimension H x W x D		mm	1610x435x290
Weight (with packaging)		kg	75 (78)
Conformity / Certifications		-	CE

Accessories			
Door limit switch		FINCOR	
Flow diverter		FD400	

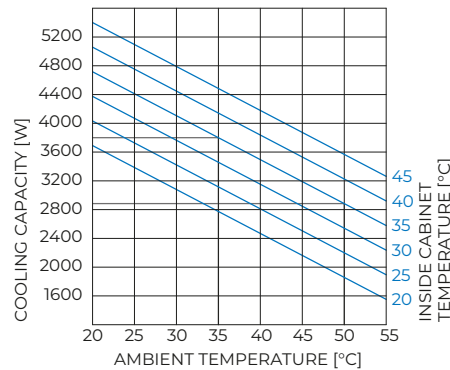
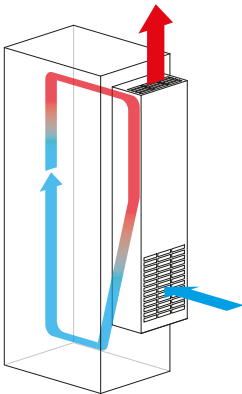


Specifications, values and drawings are subject to change without notice.



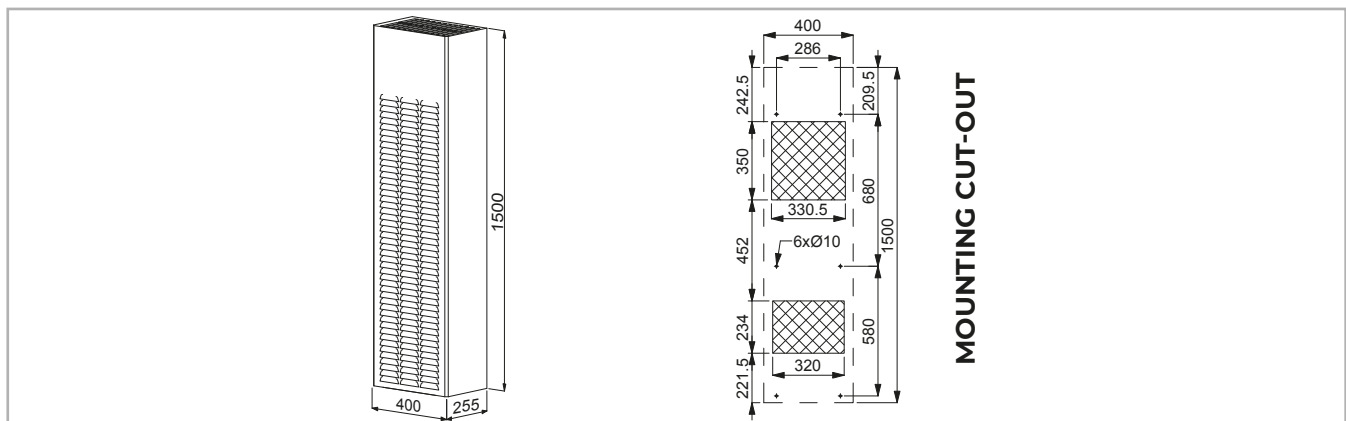
AVE400

WALL MOUNT AIR CONDITIONER FOR OUTDOOR APPLICATION



CONTROL TYPE		ARTICLE CODE	
Digital thermostat with alarms		AVE400.432	
Digital thermostat with alarms and RS485 port (ModBUS)		AVE400.433	
FEATURES		Unit	
Power supply		V ph Hz	400 3 50 / 460 3 60
Cooling capacity EN14511	A35-A35	W	3800 / 3980
	A35-A50	W	2800 / 3160
Absorbed electric power EN14511	A35-A35	W	2200 / 2320
	A35-A50	W	2600 / 2750
Rated current		A	2.7 / 3.0
Motor circuit breaker / Delayed pre fuse (advised)		A	16
Electrical connection		-	quick connector
Air flow rate (free blow)	enclosure	m ³ /h	860 / 950
	ambient	°C (°F)	+5 / +55 (+41 / +131) +5 / +50 (+41 / +122)
Operating temperature	ambient	°C (°F)	-25 / +55 (-13 / +131) -25 / +50 (-13 / +122) (Add 11 at the end of the article code)
	enclosure	°C (°F)	+20 / +45 (+68 / +113)
Refrigerant /charge		- g	R134a 1000
Condensate management		-	Condensate evaporator with safety overflow
Protection degree EN60529/1	ambient	-	IP34
	enclosure	-	IP54 (when installed on enclosure with the same protection degree)
Design	casing	-	Galvanised sheet steel
	cover	-	Galvanised sheet steel powder coated RAL7035
		-	stainless steel AISI304 (add 0X at the end of the article code)
Package Dimension H x W x D		mm	1610x435x290
Weight (with packaging)		kg	75 (78)
Conformity / Certifications		-	CE

Accessories			
Door limit switch		FINCOR	
Flow diverter		FD400	



Specifications, values and drawings are subject to change without notice.

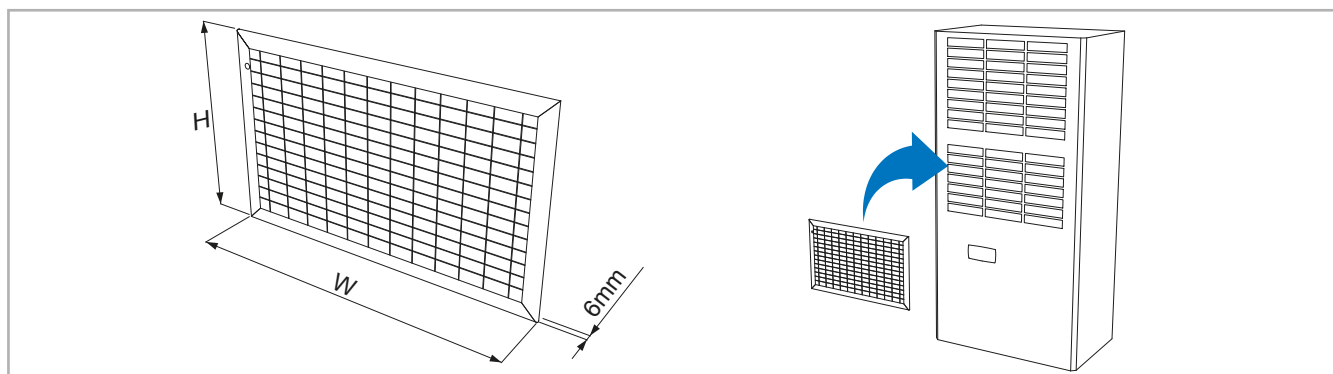


KFV/KFR

KIT AIR FILTER FOR AIR CONDITIONERS



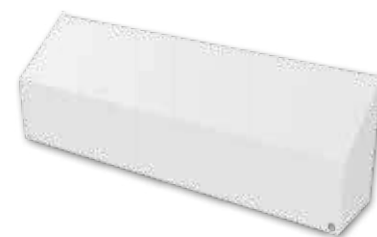
FEATURES	Unit	KFV.01P	KFV.02P	KFV.03P	KFV.04P	KFV.05P	KFR.01P	KFR.02P	KFR.03P
Suitable for		AVC035	AVC085	AVC145	AVC200	AVC300 AVC400	ARC050	ARC100 ARC150	ARC200 ARC300 ARC400
Dimensions									
W	mm	242	279	332	279	337	470	381	451
H	mm	172	176	204	288	411	240	266	385
Material	-	Filter mat: PU foam							
	-	Frame: Galvanised sheet steel							
Conformity	-	CE							



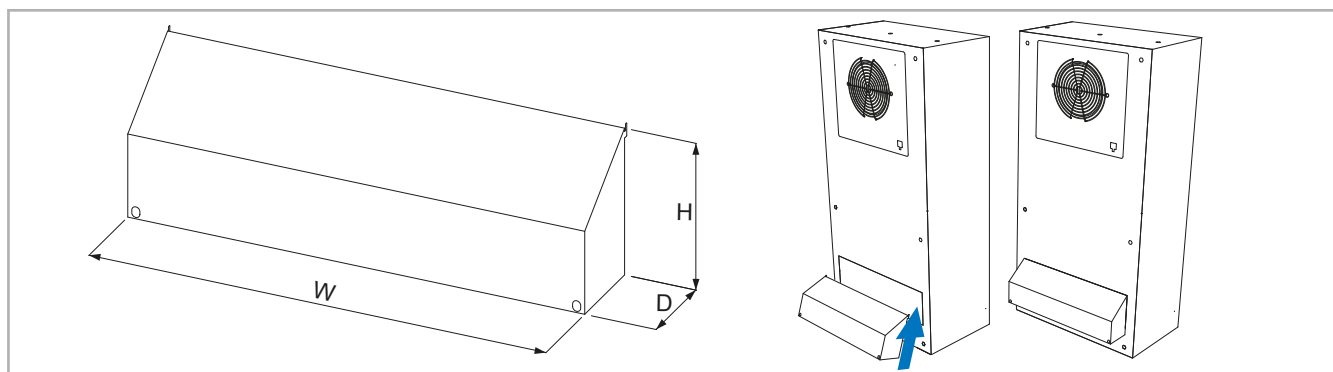
Specifications, values and drawings are subject to change without notice.

FD

AIR FLOW DIVERTER FOR AIR CONDITIONERS



FEATURES	Unit	FD035	FD085	FD145	FD200	FD400
Suitable for		AVC035 AVE035	AVC085 AVE085	AVC145 AVE145	AVC200 AVE200	AVC300/AVC400 AVE300/AVE400
Dimensions						
W	mm	124	266	340	340	312
H	mm	80	92	112	142	172
D	mm	64	65	65	65	87
Material	-	Galvanised sheet steel powder coated RAL7035				
Conformity	-	CE				

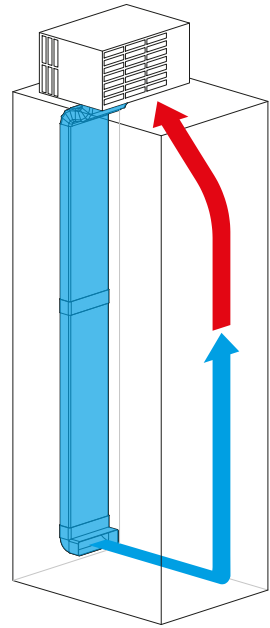
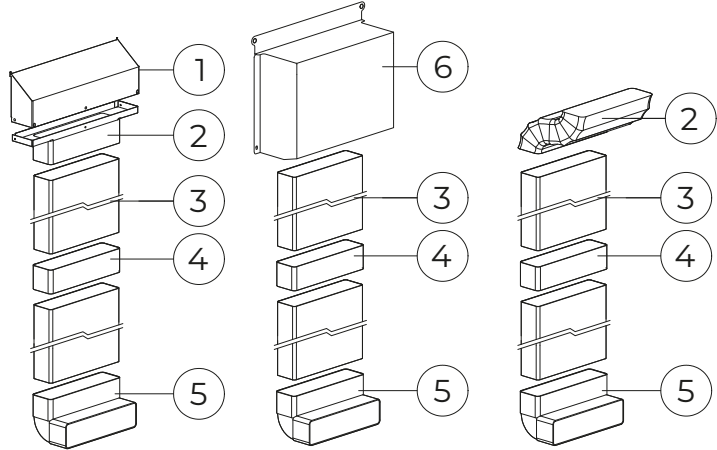
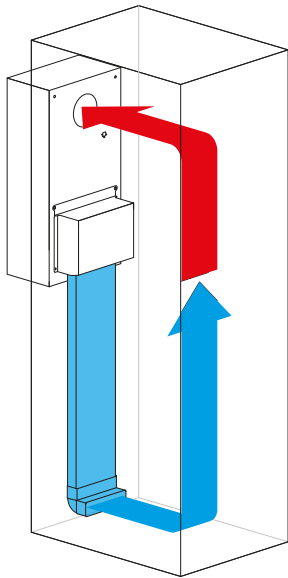


Specifications, values and drawings are subject to change without notice.

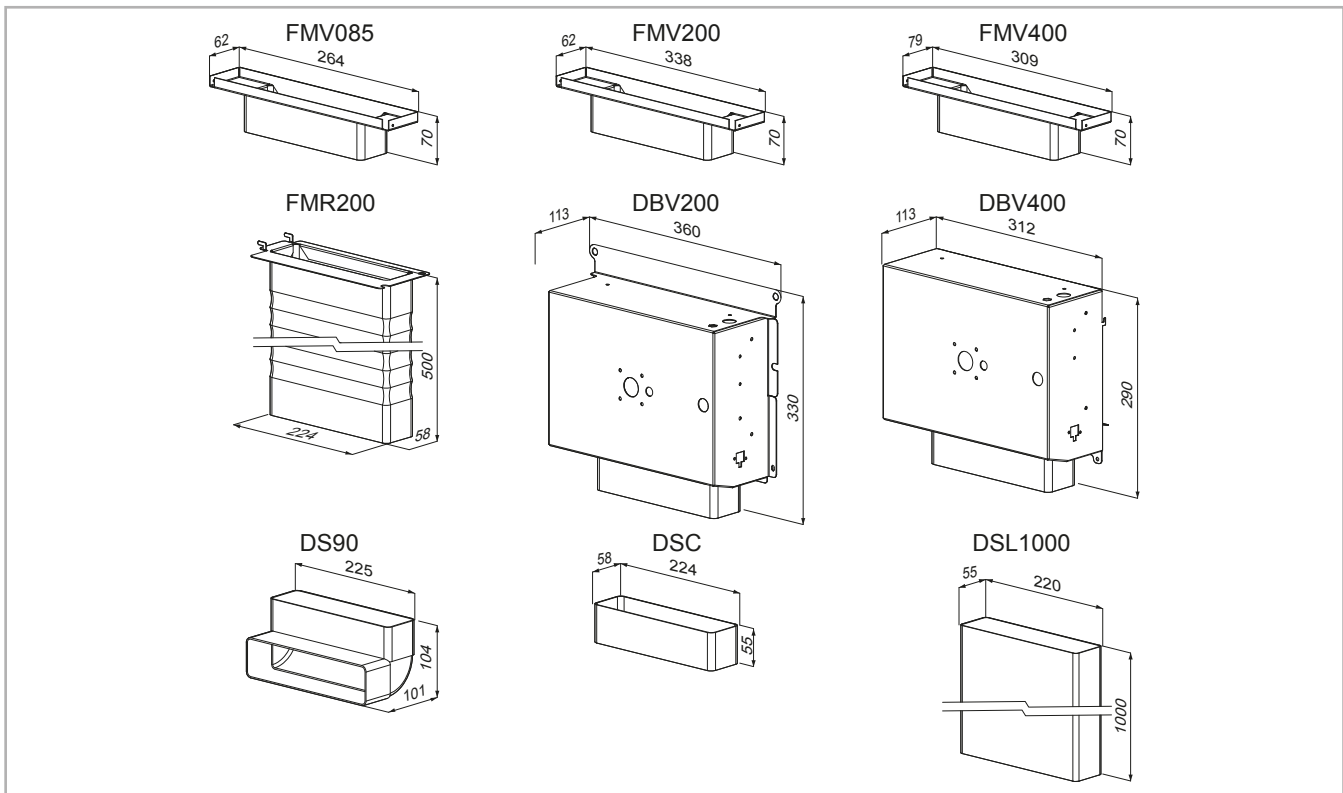


DUCTING

DUCTING SYSTEM FOR AIR CONDITIONERS



Suitable for	AVC085	AVC145	AVC200	AVC300 AVC400	ARC100 ARC150	ARC200 ARC300 ARC400
1 flow diverter	FD085	FD145	FD200	FD400	-	-
2 flow diverter adapter	FMV085	FMV200	FMV200	FMV400	FMR200	
3 flat duct 1000mm	DSL100					
4 flat duct connector	DSC					
5 90 degree duct bend	DS90					
6 duct booster fan	-	DBV200.000 (230 v 1 50/60 Hz) DBV200.010 (115 v 1 50/60 Hz)		DBV400	-	-



Specifications, values and drawings are subject to change without notice.

AEL-CAT-EN-24-00



T-FAN | Filter Fans

High performance, fast mounting and easy maintenance



Modern design

A positive visual impact is given by the up-to-date design of the grills and the minimal external projection. All molded parts are made of highly resistant and self-extinguishing ABS, UL94 V-0 grade. The standard color is RAL 7035.



Easy maintenance

Easy maintenance thanks to openable front grill. Replacement of soiled filter mat takes only few seconds and doesn't require tools.



Wide range of air flow ratings

Flow ratings from 26 to 700 m³/h.



Optimal enclosure protection

The special configuration of the grill, the foam seal gasket and the filter mat ensure an IP54 protection degree towards the enclosure.



Quick electrical connection

ATV are fitted with spring terminals for a faster and safer wiring. Default terminals position is on the top of the fan but it can easily be changed at the bottom according to wiring needs without tools, thanks to Fan Quick Lock system.



Fan Quick Lock (FQL)

Default air flow direction is from outside towards inside the enclosure. If needed the user can easily reverse the direction thanks to the Fan Quick Lock system, without tools.



Fast installation

Installation is fast thanks to the simple square cutout on the enclosure and to the snap-in fixing system. No screws are needed.

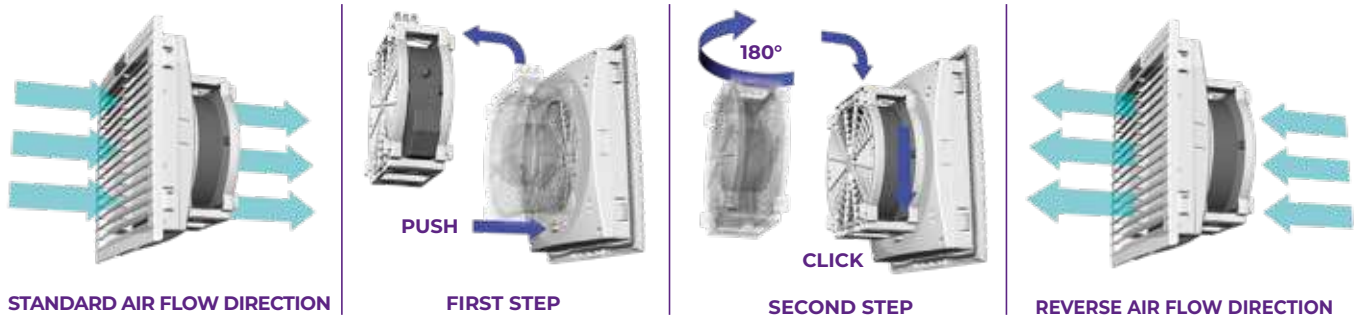


T-FAN

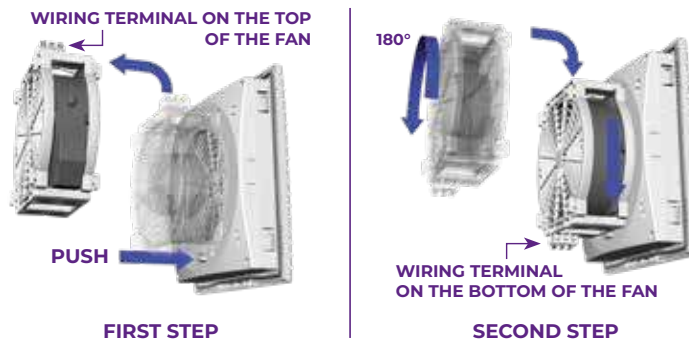


FAN QUICK LOCK (FQL)

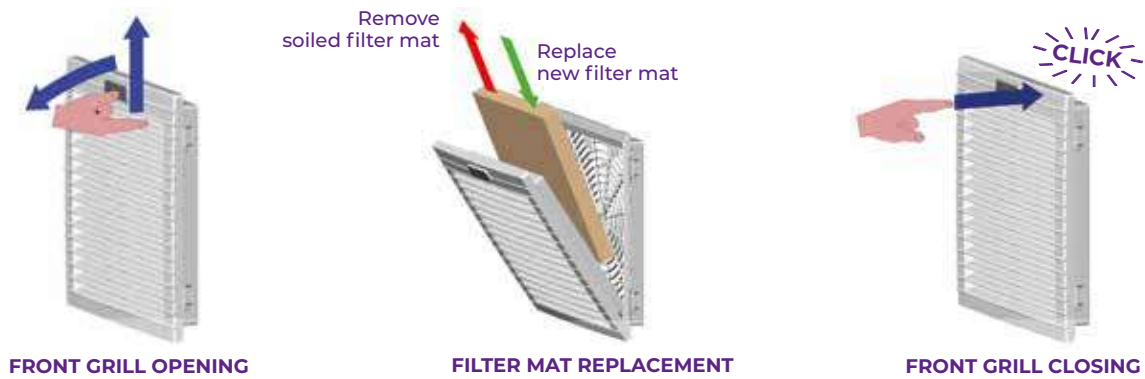
Reverse Air Flow



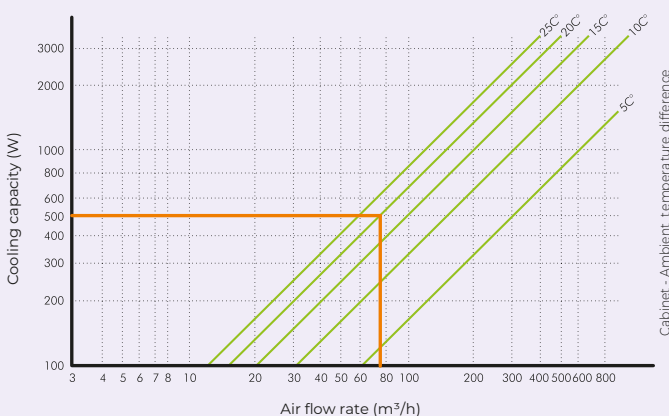
Terminal top/bottom inversion



EASY MAINTENANCE Fast filter mat replacement (FMR)



COOLING PERFORMANCE DIAGRAM



FILTER FAN SELECTION WITH WATT-A-CALCULATOR



Watt-a-Calculator is a selection software that matches the best model to the specific customer application. Watt-a-Calculator is available on Alfaelectric web site. Please visit it and follow the easy instructions to find your solutions. www.alfaelectric.com/wattcalc

Specifications, values and drawings are subject to change without notice.



Filter fans 26 m³/hr



ATV 11

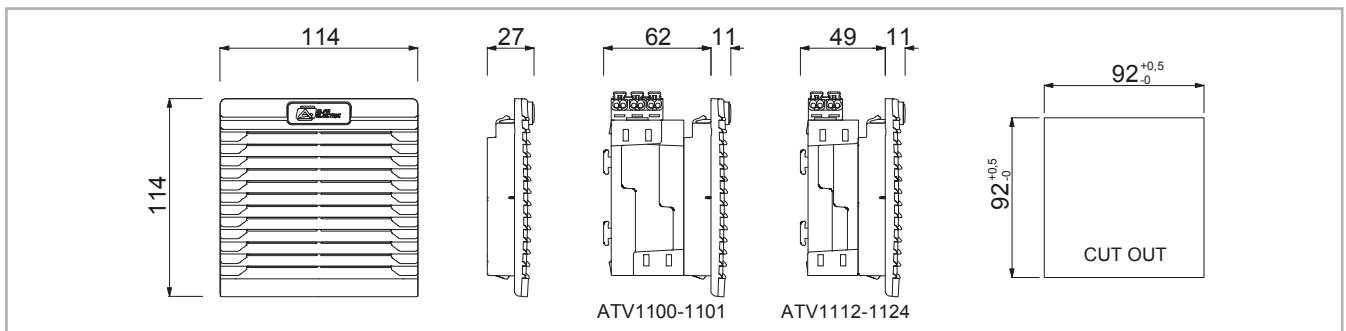


IP54		ATV1000	ATV1100	ATV1101	ATV1112	ATV1124
NEMA Type12 cULus File n. E301228		ATV1000U	ATV1100U	ATV1101U	ATV1112U	ATV1124U
IP54 UV resistant		ATV1000V	ATV1100V	ATV1101V	ATV1112V	ATV1124V
Air flow rate, free blow	m ³ /h	-	26 / 30		26	
Air flow rate with exit filter	m ³ /h	-	15 / 18		15	
Filter mat EN779	-	G3				
Power supply	V ph Hz	-	230 1 50/60	115 1 50/60	12 DC	24 DC
Dimensions HxWxD	mm	114x114x27	114x114x73		114x114x60	
Power consumption	W	-	13 / 12		3	4
Current consumption	A	-	0.10 / 0.08	0.14 / 0.12	0.25	0.16
Overcurrent protection	-	-	impedance			
Electrical connection	-	-	3-poles spring terminals *		2-poles spring terminals *	
Duty cycle	-	-	100%			
Operating temperature	°C (°F)	-	-10 / +70 (+14 / +158)			
Protection class	-	-	Class I			
Noise level	dB(A)	-	30 (35)		35	
Flow direction	-	-	reversible, default factory setting outside-in			
Bearing	-	-	ball			
Service life (at 40°C)	hr	-	50 000			
Material	-	thermoplastic UL94V-0, color RAL7035 (IP54 UV resistant): thermoplastic, color RAL7035				
Wall thickness	mm	1.2 - 2.4				
Gasket	-	Foam seal gasket				
Weight (with packaging)	kg	0.09 (0.11)	0.41 (0.46)		0.20 (0.25)	
Package dimensions H x W x D	mm	125x125x35	125x125x80			
Mounting	-	Fast clip-on				
Conformity/Certifications	-	CE, UL cULus (model with U letter at the end of the code)				

* 0.5-2.5mm²

Accessories

Thermostat 0-60°C, NO contact	-	THV2
Fan speed controller	-	FSC1
Hood for IP56	-	CUFF10B



AEL-CAT-EN-24-00

Specifications, values and drawings are subject to change without notice.



ATV 22

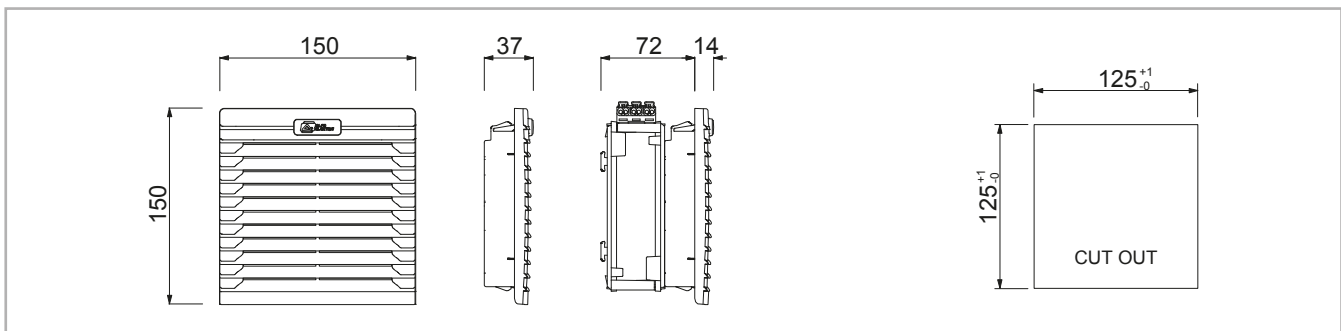


IP54		ATV2000	ATV2200	ATV2201	ATV2224	ATV2248
NEMA Type12 File n. E301228		ATV2000U	ATV2200U	ATV2201U	ATV2224U	ATV2248U
Air flow rate, free blow	m ³ /h	-	58 / 64		58	
Air flow rate with exit filter	m ³ /h	-	43 / 48		43	
Filter mat EN779	-	G3				
IP55		ATV200055	ATV220055	ATV220155	ATV222455	ATV224855
IP55 UV resistant NEMA Type3 File n. E301228		ATV2000V	ATV2200V	ATV2201V	ATV2224V	ATV2248V
Air flow rate, free blow	m ³ /h	-	44 / 48		44	
Air flow rate with exit filter	m ³ /h	-	29 / 32		29	
Filter mat EN779	-	G4				
Power supply	V ph Hz	-	230 1 50/60	115 1 50/60	24 DC	48 DC
Dimensions HxWxD	mm	150x150x37	150x150x86			
Power consumption	W	-	22 / 21		9	13
Current consumption	A	-	0.14 / 0.12	0.26 / 0.24	0.37	0.27
Overcurrent protection	-	-	impedance			
Electrical connection	-	-	3-poles spring terminals *		2-poles spring terminals *	
Duty cycle	-	-	100%			
Operating temperature	°C (°F)	-10 / +70 (+14 / +158)				
Protection class	-	-	Class I		Class II	
Noise level	dB(A)	-	43 (49)		45	
Flow direction	-	-	reversible, default factory setting outside-in			
Bearing	-	-	ball			
Service life (at 40°C)	hr	-	50 000			
Material	-	thermoplastic UL94V-0, color RAL7035 (IP55 UV resistant): thermoplastic, color RAL7035				
Wall thickness	mm	1.2 - 2.4				
Gasket	-	Foam seal gasket				
Weight (with packaging)	kg	0.18 (0.23)	0.76 (0.83)		0.48 (0.55)	
Package dimensions H x W x D	mm	165x165x45	165x165x90			
Mounting	-	Fast clip-on				
Conformity/Certifications	-	CE, UL (model with U letter at the end of the code)				

* 0.5-2.5mm²

Accessories

Thermostat 0-60°C, NO contact	-	THV2
Fan speed controller	-	FSC1
Hood for IP56	-	CUFF10B



Specifications, values and drawings are subject to change without notice.



Filter fans 115 m³/hr



ATV 32

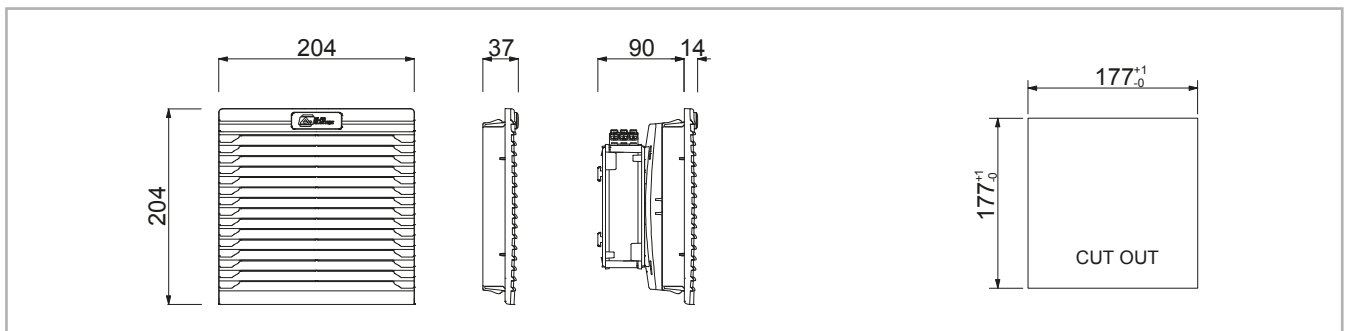


IP54		ATV3000	ATV3200	ATV3201	ATV3224	ATV3248
NEMA Type12 cULus File n. E301228		ATV3000U	ATV3200U	ATV3201U	ATV3224U	ATV3248U
Air flow rate, free blow	m ³ /h	-	115 / 125		115	
Air flow rate with exit filter	m ³ /h	-	84 / 97		84	
Filter mat EN779	-	G3				
IP55		ATV300055	ATV320055	ATV320155	ATV322455	ATV324855
IP55 UV resistant NEMA Type3 cULus File n. E301228		ATV3000V	ATV3200V	ATV3201V	ATV3224V	ATV3248V
Air flow rate, free blow	m ³ /h	-	94 / 102		94	
Air flow rate with exit filter	m ³ /h	-	62 / 71		62	
Filter mat EN779	-	G4				
Power supply	V ph Hz	-	230 1 50/60	115 1 50/60	24 DC	48 DC
Dimensions HxWxD	mm	204x204x37	204x204x104			
Power consumption	W	-	22 / 21		9	13
Current consumption	A	-	0.14 / 0.12	0.26 / 0.24	0.37	0.27
Overcurrent protection	-	-	impedance			
Electrical connection	-	-	3-poles spring terminals *		2-poles spring terminals *	
Duty cycle	-	-	100%			
Operating temperature	°C (°F)	-10 / +70 (+14 / +158)				
Protection class	-	-	Class I			
Noise level	dB(A)	-	43 (49)		45	
Flow direction	-	-	reversible, default factory setting outside-in			
Bearing	-	-	ball			
Service life (at 40°C)	hr	-	50 000			
Material	-	thermoplastic UL94V-0, color RAL7035 (IP55 UV resistant): thermoplastic, color RAL7035				
Wall thickness	mm	1.2 - 2.4				
Gasket	-	Foam seal gasket				
Weight (with packaging)	kg	0.32 (0.42)	0.98 (1.18)		0.70 (0.90)	
Package dimensions H x W x D	mm	220x220x43	220x220x110			
Mounting	-	Fast clip-on				
Conformity/Certifications	-	CE, UL cULus (model with U letter at the end of the code)				

* 0.5-2.5mm²

Accessories

Thermostat 0-60°C, NO contact	-	THV2
Fan speed controller	-	FSC1
Hood for IP56	-	CUFF20B



Specifications, values and drawings are subject to change without notice.



ATV 42

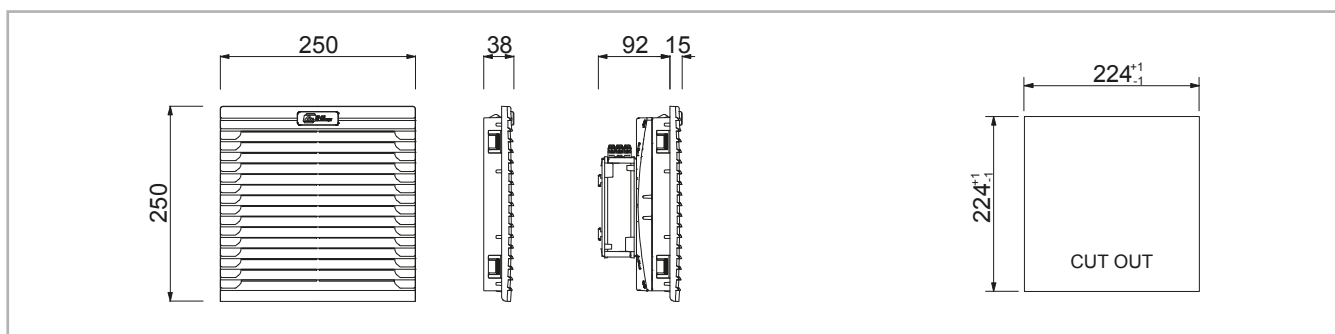


IP54		ATV4000	ATV4200	ATV4201	ATV4224	ATV4248
NEMA Type12 File n. E301228		ATV4000U	ATV4200U	ATV4201U	ATV4224U	ATV4248U
Air flow rate, free blow	m ³ /h	-	125 / 135		125	
Air flow rate with exit filter	m ³ /h	-	102 / 112		102	
Filter mat EN779	-	G3				
IP55		ATV400055	ATV420055	ATV420155	ATV422455	ATV424855
IP55 UV resistant NEMA Type3 File n. E301228		ATV4000V	ATV4200V	ATV4201V	ATV4224V	ATV4248V
Air flow rate, free blow	m ³ /h	-	110 / 120		110	
Air flow rate with exit filter	m ³ /h	-	90 / 100		90	
Filter mat EN779	-	G4				
Power supply	V ph Hz	-	230 1 50/60	115 1 50/60	24 DC	48 DC
Dimensions HxWxD	mm	250x250x38		250x250x107		
Power consumption	W	-	22 / 21		9	13
Current consumption	A	-	0.14 / 0.12	0.26 / 0.24	0.37	0.27
Overcurrent protection	-	-	impedance			
Electrical connection	-	-	3-poles spring terminals *		2-poles spring terminals *	
Duty cycle	-	-	100%			
Operating temperature	°C (°F)	-10 / +70 (+14 / +158)				
Protection class	-	-	Class I			
Noise level	dB(A)	-	43 (49)		45	
Flow direction	-	-	reversible, default factory setting outside-in			
Bearing	-	-	ball			
Service life (at 40°C)	hr	-	50 000			
Material	-	thermoplastic UL94V-0, color RAL7035 (IP55 UV resistant): thermoplastic, color RAL7035				
Wall thickness	mm	1.2 - 2.4				
Gasket	-	Foam seal gasket				
Weight (with packaging)	kg	0.52 (0.62)	1.30 (1.50)		1.00 (1.20)	
Package dimensions H x W x D	mm	270x270x47		270x270x165		
Mounting	-	Fast clip-on				
Conformity/Certifications	-	CE, UL (model with U letter at the end of the code)				

* 0.5-2.5mm²

Accessories

Thermostat 0-60°C, NO contact	-	THV2
Fan speed controller	-	FSC1
Hood for IP56	-	CUFF20B



Specifications, values and drawings are subject to change without notice.



Filter fans 255-410 m³/hr



ATV 43 - ATV 44

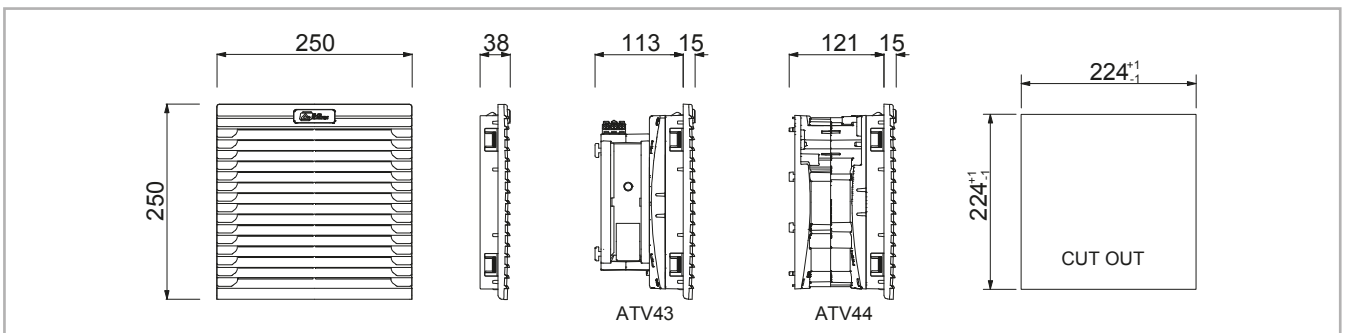


IP54		ATV4000	ATV4300	ATV4301	ATV4324	ATV4348	ATV4400	ATV4401	ATV4440	
NEMA Type12 c File n. E301228		ATV4000U	ATV4300U	ATV4301U	ATV4324U	ATV4348U	ATV4400UPR	ATV4401UPR	-	
Air flow rate, free blow	m ³ /h	-	255 / 290		255		410 / 445			
Air flow rate with exit filter	m ³ /h	-	202 / 235		202		280 / 302			
Filter mat EN779	-	G3								
IP55		ATV400055	ATV430055	ATV430155	ATV432455	ATV434855	ATV440055PR	ATV440155PR	ATV444055PR	
IP55 UV resistant NEMA Type3 c File n. E301228		ATV4000V	ATV4300V	ATV4301V	ATV4324V	ATV4348V	ATV4400VPR	ATV4401VPR	ATV4440VPR	
Air flow rate, free blow	m ³ /h	-	210 / 240		210		340 / 365			
Air flow rate with exit filter	m ³ /h	-	166 / 190		166		230 / 250			
Filter mat EN779	-	G4								
Power supply	V ph Hz	-	230 1 50/60	115 1 50/60	24 DC	48 DC	230 1 50/60	115 1 50/60	400 3 50/60	
Dimensions HxWxD	mm	250x250x38	250x250x128				250x250x136			
Power consumption	W	-	40 / 38		26	33	70 / 90		60 / 70	
Current consumption	A	-	0.17 / 0.16	0.34 / 0.32	1.08	0.68	0.40 / 0.38	0.80 / 0.76	0.18 / 0.15	
Overcurrent protection	-	-	thermal		impedance		thermal			
Electrical connection	-	-	3-poles spring terminals *		2-poles spring terminals *		3-poles spring terminals *		4-p s t *	
Duty cycle	-	-	100%							
Operating temperature	°C (°F)	-10 / +70 (+14 / +158)								
Protection class	-	-	Class I							
Noise level	dB(A)	-	53 (58)		61		65 (68)			
Flow direction	-	-	reversible, default factory setting outside-in (inside-out for UPR, 55PR and VPR models)							
Bearing	-	-	ball							
Service life (at 40°C)	hr	-	50 000							
Material	-	thermoplastic UL94V-0, color RAL7035 (IP55 UV resistant): thermoplastic, color RAL7035								
Wall thickness	mm	1.2 - 2.4								
Gasket	-	Foam seal gasket								
Weight (with packaging)	kg	0.52 (0.62)	1.72 (1.92)		1.53 (1.73)		2.74 (2.94)			
Package dimensions H x W x D	mm	270x270x47	270x270x165							
Mounting	-	Fast clip-on								
Conformity/Certifications	-	CE, UL (model with U letter at the end of the code)								

* 0.5-2.5mm²

Accessories

Thermostat 0-60°C, NO contact	-	THV2							
Fan speed controller	-	FSC1		-		FSC1		-	
Hood for IP56		CUFF20B							



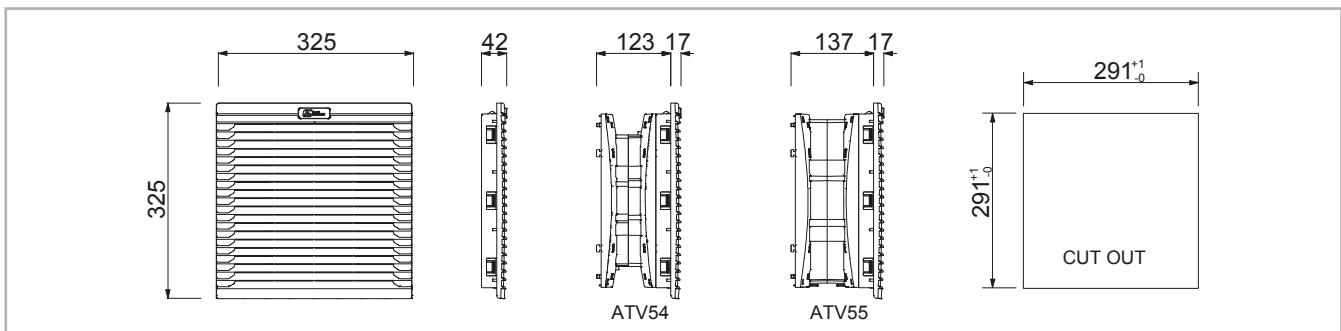
Specifications, values and drawings are subject to change without notice.



ATV 54 - ATV 55



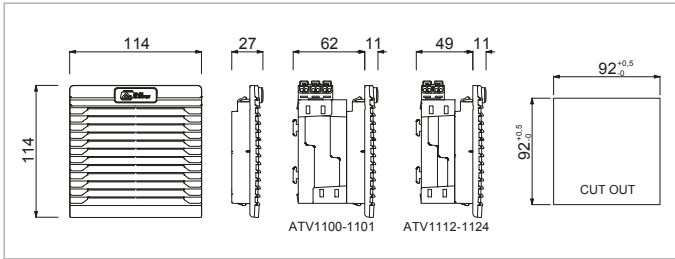
IP54		ATV5000	ATV5400	ATV5401	ATV5440	ATV5500	ATV5501
NEMA Type12 cULus File n. E301228		ATV5000U	ATV5400U	ATV5401U	-	ATV5500U	ATV5501U
Air flow rate, free blow	m ³ /h	-	550 / 620		700 / 770		
Air flow rate with exit filter	m ³ /h	-	405 / 450		520 / 575		
Filter mat EN779	-	G3					
IP55		ATV500055	ATV540055	ATV540155	ATV544055	ATV550055	ATV550155
IP55 UV resistant NEMA Type3 cULus File n. E301228		ATV5000V	ATV5400V	ATV5401V	ATV5440V	ATV5500V	ATV5501V
Air flow rate, free blow	m ³ /h	-	440 / 490		595 / 655		
Air flow rate with exit filter	m ³ /h	-	325 / 360		440 / 490		
Filter mat EN779	-	G4					
Power supply	V ph Hz	-	230 1 50/60	115 1 50/60	400 3 50/60	230 1 50/60	115 1 50/60
Dimensions HxWxD	mm	325x325x42	325x325x140		325x325x154		
Power consumption	W	-	70 / 90		60 / 70	130 / 180	
Current consumption	A	-	0.40 / 0.38	0.80 / 0.76	0.18 / 0.15	0.55 / 0.81	1.10 / 1.62
Overcurrent protection	-	-	thermal				
Electrical connection	-	-	3-poles spring terminals *		4-p s t *	3-poles spring terminals *	
Duty cycle	-	-	100%				
Operating temperature	°C (°F)	-10 / +70 (+14 / +158)					
Protection class	-	-	Class I				
Noise level	dB(A)	-	65 (68)		72 (73)		
Flow direction	-	-	reversible, default factory setting outside-in				
Bearing	-	-	ball				
Service life (at 40°C)	hr	-	50 000				
Material	-	thermoplastic UL94V-0, color RAL7035 (IP55 UV resistant): thermoplastic, color RAL7035					
Wall thickness	mm	1.2 - 2.4					
Gasket	-	Foam seal gasket					
Weight (with packaging)	kg	0.90 (1.04)	3.00 (3.25)		3.55 (3.80)		
Package dimensions H x W x D	mm	340x340x45	340x340x175				
Mounting	-	Fast clip-on					
Conformity/Certifications	-	CE, UL cULus (model with U letter at the end of the code)					
* 0.5-2.5mm ²							
Accessories							
Thermostat 0-60°C, NO contact	-	-			THV2		
Fan speed controller	-	FSC1		-		FSC1	
Hood for IP56	-	CUFF30B					



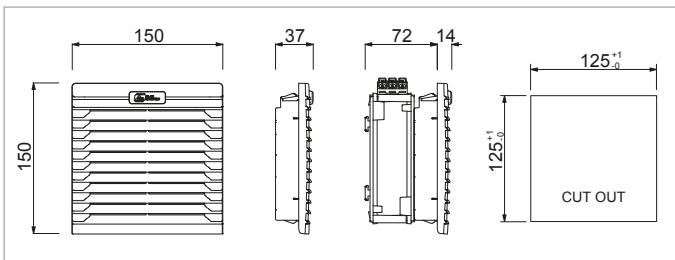
Specifications, values and drawings are subject to change without notice.



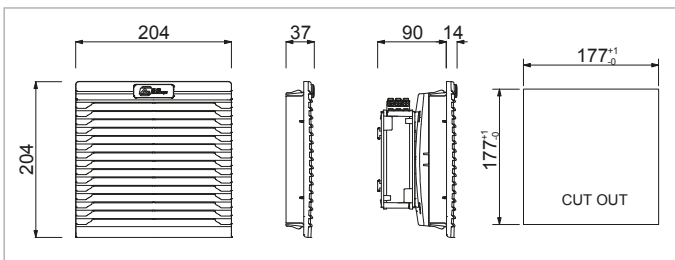
ATV 11 M Series



ATV 22 M Series



ATV 32 M Series



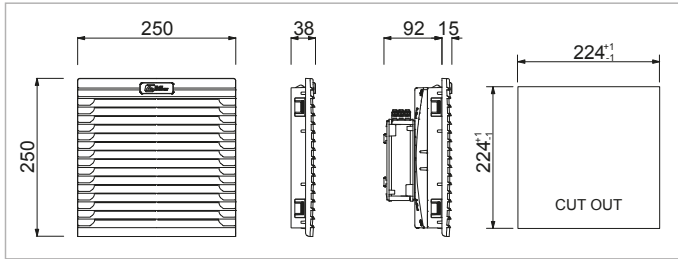
MODEL	Description	Air flow rate, free blow m ³ /h	Air flow rate with exit filter m ³ /h	Power supply V Hz	Power consumption W	Current consumption A	Operating temperature °C (°F)
ATV1000M	filter	-	-	-	-	-	-10/+70 (+14/+158)
ATV1100M	filter fan	26 (30)	15 (18)	230 / 50-60	13 (12)	0.10 (0.08)	-10/+70 (+14/+158)
ATV1101M	filter fan	26 (30)	15 (18)	115 / 50-60	13 (12)	0.14 (0.12)	-10/+70 (+14/+158)
ATV1112M	filter fan	26	15	12DC	3	0.25	-10/+70 (+14/+158)
ATV1124M	filter fan	26	15	24DC	4	0.16	-10/+70 (+14/+158)
ATV2000M	filter	-	-	-	-	-	-10/+70 (+14/+158)
ATV2200M	filter fan	58 (64)	43 (48)	230 / 50-60	22 (21)	0.14 (0.12)	-10/+70 (+14/+158)
ATV2201M	filter fan	58 (64)	43 (48)	115 / 50-60	22 (21)	0.26 (0.24)	-10/+70 (+14/+158)
ATV2224M	filter fan	58	43	24DC	9	0.37	-10/+70 (+14/+158)
ATV2248M	filter fan	58	43	48DC	13	0.27	-10/+70 (+14/+158)
ATV3000M	filter	-	-	-	-	-	-10/+70 (+14/+158)
ATV3200M	filter fan	115 (125)	84 (97)	230 / 50-60	22 (21)	0.14 (0.12)	-10/+70 (+14/+158)
ATV3201M	filter fan	115 (125)	84 (97)	115 / 50-60	22 (21)	0.26 (0.24)	-10/+70 (+14/+158)
ATV3224M	filter fan	115	84	24DC	9	0.37	-10/+70 (+14/+158)
ATV3248M	filter fan	115	84	48DC	13	0.27	-10/+70 (+14/+158)

TECHNICAL FEATURES: plastic material self-extinguish ABS V0 RAL 7035; high efficiency dust filters made of self-extinguish acrylic fibre; protection degree IP54.

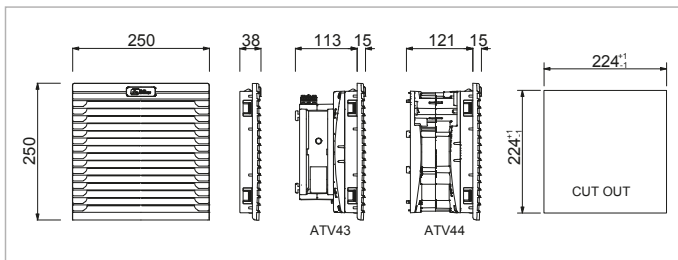
EMC shield: Galvanized steel grid + conductive coating.



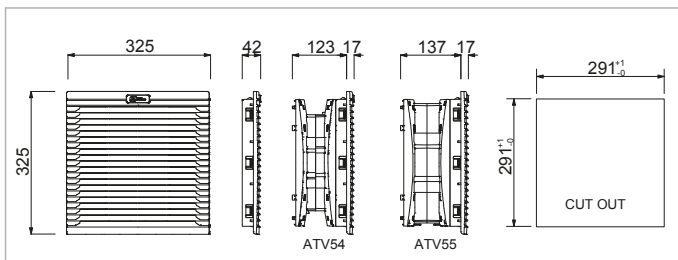
ATV 42 M Series



ATV 43-44 M Series



ATV 54-55 M Series



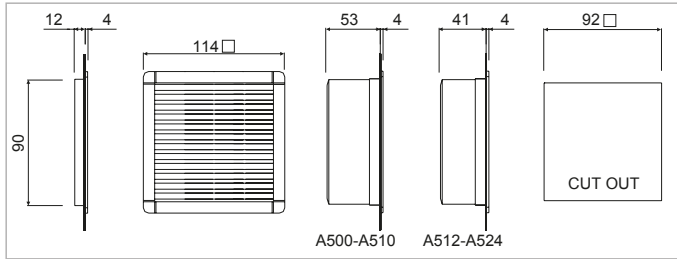
MODEL	Description	Air flow rate, free blow m ³ /h	Air flow rate with exit filter m ³ /h	Power supply V Hz	Power consumption W	Current consumption A	Operating temperature °C (°F)
ATV4000M	filter	-	-	-	-	-	-10/+70 (+14/+158)
ATV4200M	filter fan	125 (135)	102 (112)	230 / 50-60	22 (21)	0.14 (0.12)	-10/+70 (+14/+158)
ATV4201M	filter fan	125 (135)	102 (112)	115 / 50-60	22 (21)	0.26 (0.24)	-10/+70 (+14/+158)
ATV4224M	filter fan	125	102	24DC	9	0.37	-10/+70 (+14/+158)
ATV4248M	filter fan	125	102	48DC	13	0.27	-10/+70 (+14/+158)
ATV4300M	filter fan	255 (290)	202 (235)	230 / 50-60	40 (38)	0.17 (0.16)	-10/+70 (+14/+158)
ATV4301M	filter fan	255 (290)	202 (235)	115 / 50-60	40 (38)	0.34 (0.32)	-10/+70 (+14/+158)
ATV4324M	filter fan	255	202	24DC	26	1.08	-10/+70 (+14/+158)
ATV4348M	filter fan	255	202	48DC	33	0.68	-10/+70 (+14/+158)
ATV4400M	filter fan	410 (445)	280 (302)	230 / 50-60	70 (90)	0.40 (0.38)	-10/+70 (+14/+158)
ATV4401M	filter fan	410 (445)	280 (302)	115 / 50-60	70 (90)	0.80 (0.76)	-10/+70 (+14/+158)
ATV4440M	filter fan	410 (445)	280 (302)	400/50-60/3~	60 (70)	0.18 (0.15)	-10/+70 (+14/+158)
ATV5000M	filter	-	-	-	-	-	-10/+70 (+14/+158)
ATV5400M	filter fan	550 (620)	405 (450)	230 / 50-60	70 (90)	0.40 (0.38)	-10/+70 (+14/+158)
ATV5401M	filter fan	550 (620)	405 (450)	115 / 50-60	70 (90)	0.80 (0.76)	-10/+70 (+14/+158)
ATV5440M	filter fan	550 (620)	405 (450)	400/50-60/3~	60 (70)	0.18 (0.15)	-10/+70 (+14/+158)
ATV5500M	filter fan	700 (770)	520 (575)	230 / 50-60	130 (180)	0.55 (0.81)	-10/+70 (+14/+158)
ATV5501M	filter fan	700 (770)	520 (575)	115 / 50-60	130 (180)	1.10 (1.62)	-10/+70 (+14/+158)

TECHNICAL FEATURES: plastic material self-extinguish ABS V0 RAL 7035; high efficiency dust filters made of self-extinguish acrylic fibre; protection degree IP54.

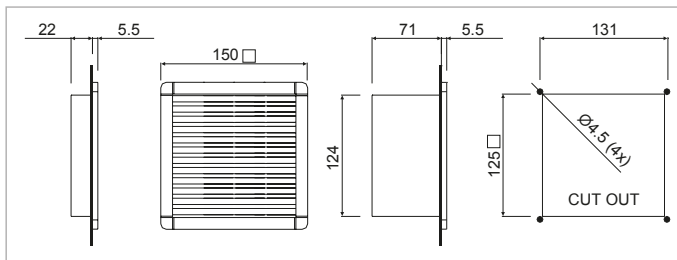
EMC shield: Galvanized steel grid + conductive coating.



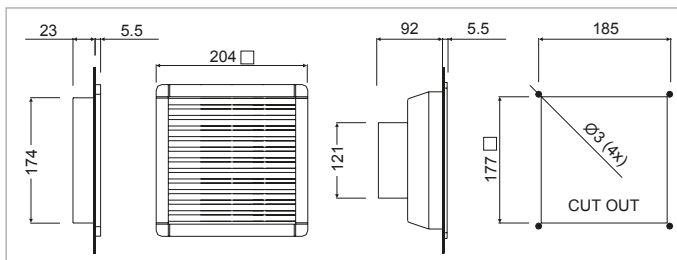
ALFA A Series



ALFA 1 Series



ALFA B Series



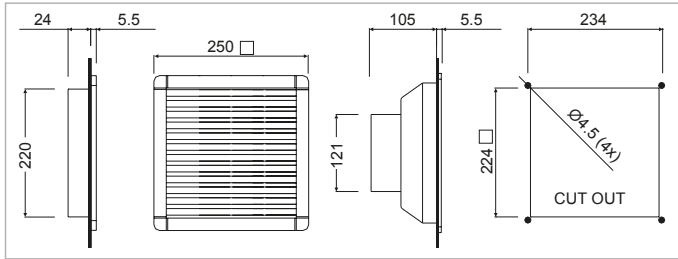
MODEL	Description	Air flow rate, free blow m ³ /h	Air flow rate with exit filter m ³ /h	Power supply V ph Hz	Power consumption W	Current consumption A	Operating temperature °C (°F)
ALFAA000BPB	Filter	-	-	-	-	-	-10/+70 (+14/+158)
ALFAA500BPB	Filter fan	24 (28)	14(17)	230 1 50/60	13 (12)	0.10 (0.08)	-10/+70 (+14/+158)
ALFAA510BPB	Filter fan	24 (28)	14(17)	115 1 50/60	13 (12)	0.14 (0.12)	-10/+70 (+14/+158)
ALFAA512BPB	Filter fan	24	14	12DC	3	0.25	-10/+70 (+14/+158)
ALFAA524BPB	Filter fan	24	14	24DC	4	0.16	-10/+70 (+14/+158)
ALFAI000BPB	Filter	-	-	-	-	-	-10/+70 (+14/+158)
ALFAI600BPB	Filter fan	55 (60)	40 (45)	230 1 50/60	22 (21)	0.14 (0.12)	-10/+70 (+14/+158)
ALFAI610BPB	Filter fan	55 (60)	40 (45)	115 1 50/60	22 (21)	0.26 (0.24)	-10/+70 (+14/+158)
ALFAI524BPTB	Filter fan	55	40	24DC	9	0.37	-10/+70 (+14/+158)
ALFAI548BPTB	Filter fan	55	40	48DC	13	0.27	-10/+70 (+14/+158)
ALFAB000BPB	Filter	-	-	-	-	-	-10/+70 (+14/+158)
ALFAB500BPB	Filter fan	110 (120)	80 (92)	230 1 50/60	22 (21)	0.14 (0.12)	-10/+70 (+14/+158)
ALFAB510BPB	Filter fan	110 (120)	80 (92)	115 1 50/60	22 (21)	0.26 (0.24)	-10/+70 (+14/+158)
ALFAB524BPTB	Filter fan	110	80	24DC	9	0.37	-10/+70 (+14/+158)
ALFAB548BPTB	Filter fan	110	80	48DC	13	0.27	-10/+70 (+14/+158)

TECHNICAL FEATURES: plastic material self-extinguish ABS V0 RAL 7035, other colours on request; high efficiency dust filters made of self-extinguish acrylic fibre; protection degree IP54. us version (Add U before B at the end of the code).

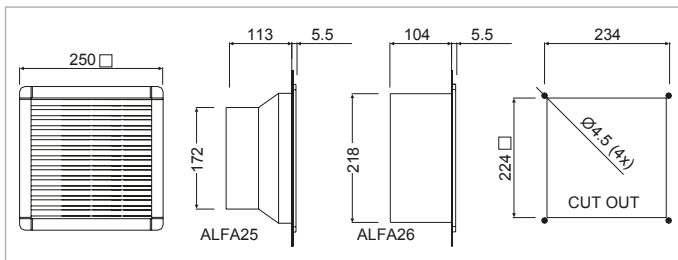
Specifications, values and drawings are subject to change without notice.



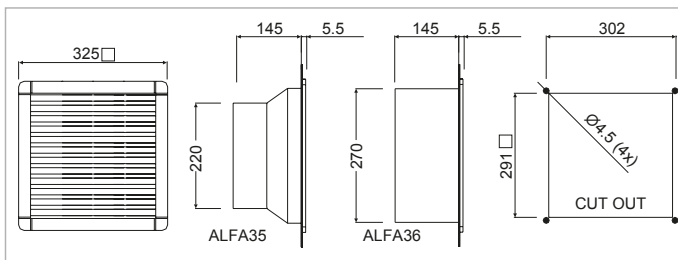
ALFA 23 Series



ALFA 25-26 Series



ALFA 3 Series



MODEL	Description	Air flow rate, free blow m ³ /h	Air flow rate with exit filter m ³ /h	Power supply V pH Hz	Power consumption W	Current consumption A	Operating temperature °C (°F)
ALFA2000BPB	Filter	-	-	-	-	-	-10/+70 (+14/+158)
ALFA2300BPB	Filter fan	120 (130)	100 (110)	230 1 50/60	22 (21)	0.14 (0.12)	-10/+70 (+14/+158)
ALFA2310BPB	Filter fan	120 (130)	100 (110)	115 1 50/60	22 (21)	0.26 (0.24)	-10/+70 (+14/+158)
ALFA2324BPTB	Filter fan	120	100	24DC	9	0.37	-10/+70 (+14/+158)
ALFA2348BPTB	Filter fan	120	100	48DC	13	0.27	-10/+70 (+14/+158)
ALFA2500BPB	Filter fan	230 (260)	180 (210)	230 1 50/60	40 (38)	0.17 (0.16)	-10/+70 (+14/+158)
ALFA2510BPB	Filter fan	230 (260)	180 (210)	115 1 50/60	40 (38)	0.34 (0.32)	-10/+70 (+14/+158)
ALFA2524BPTB	Filter fan	230	180	24DC	26	1.08	-10/+70 (+14/+158)
ALFA2548BPTB	Filter fan	230	180	48DC	33	0.68	-10/+70 (+14/+158)
ALFA2600BPB	Filter fan	370 (400)	250 (270)	230 1 50/60	70 (90)	0.40 (0.38)	-10/+70 (+14/+158)
ALFA2610BPB	Filter fan	370 (400)	250 (270)	115 1 50/60	70 (90)	0.80 (0.76)	-10/+70 (+14/+158)
ALFA2640BPB	Filter fan	370 (400)	250 (270)	400 1 50/60	60 (70)	0.18 (0.15)	-10/+70 (+14/+158)
ALFA3000BPB	Filter	-	-	-	-	-	-10/+70 (+14/+158)
ALFA3500BPB	Filter fan	500 (570)	370 (410)	230 1 50/60	70 (90)	0.40 (0.38)	-10/+70 (+14/+158)
ALFA3510BPB	Filter fan	500 (570)	370 (410)	115 1 50/60	70 (90)	0.80 (0.76)	-10/+70 (+14/+158)
ALFA3540BPB	Filter fan	500 (570)	370 (410)	400 1 50/60	60 (70)	0.18 (0.15)	-10/+70 (+14/+158)
ALFA3600BPB	Filter fan	630 (700)	470 (520)	230 1 50/60	130 (180)	0.55 (0.81)	-10/+70 (+14/+158)
ALFA3610BPB	Filter fan	630 (700)	470 (520)	115 1 50/60	130 (180)	1.10 (1.62)	-10/+70 (+14/+158)

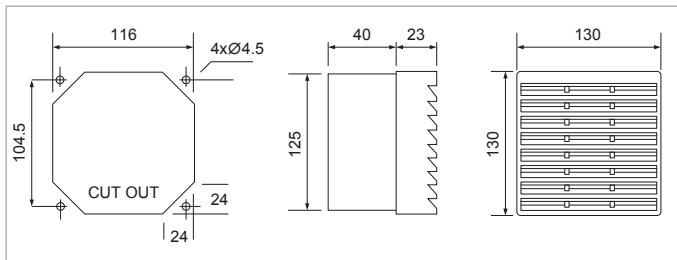
TECHNICAL FEATURES: plastic material self-extinguish ABS V0 RAL 7035, other colours on request; high efficiency dust filters made of self-extinguish acrylic fibre; protection degree IP54. us version (Add U before B at the end of the code).

Specifications, values and drawings are subject to change without notice.

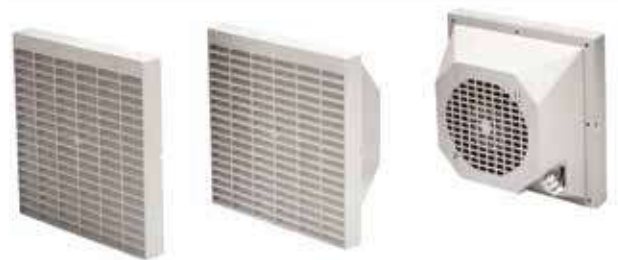
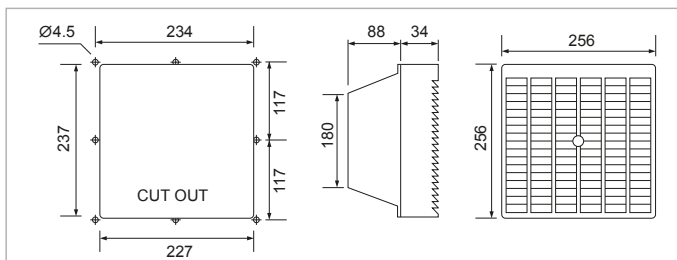
Specifications, values and drawings are subject to change without notice.



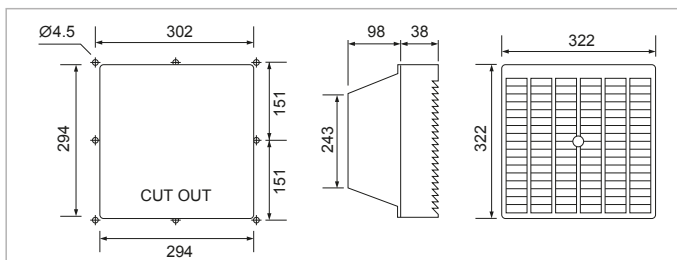
ALFA 1000 APB Series



ALFA 2000 APB Series



ALFA 3000 APB Series



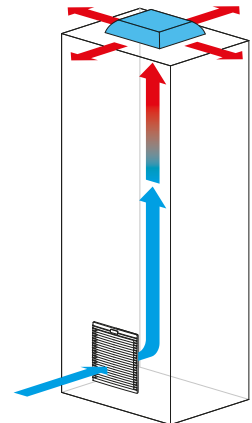
MODEL	Description	Air flow rate, free blow m ³ /h	Air flow rate with exit filter m ³ /h	Power supply V ph Hz	Power consumption W	Current consumption A	Operating temperature °C (°F)
ALFA 1000 APB	Filter	-	-	-	-	-	-10/+70 (+14/+158)
ALFA 1524 APTB	Filter fan	55	40	24DC	9	0.37	-10/+70 (+14/+158)
ALFA 1548 APTB	Filter fan	55	40	48DC	13	0.27	-10/+70 (+14/+158)
ALFA 1600 APB	Filter fan	55 (60)	40 (45)	230/50-60	19 (18)	0.14 (0.12)	-10/+70 (+14/+158)
ALFA 1610 APB	Filter fan	55 (60)	40 (45)	115/50-60	19 (18)	0.25 (0.19)	-10/+70 (+14/+158)
ALFA 2000 APB	Filter	-	-	-	-	-	-10/+70 (+14/+158)
ALFA 2324 APTB	Filter fan	105	80	24DC	9	0.37	-10/+70 (+14/+158)
ALFA 2348 APTB	Filter fan	105	80	48DC	13	0.27	-10/+70 (+14/+158)
ALFA 2400 APB	Filter fan	120 (130)	95 (105)	230/50-60	19 (18)	0.14 (0.12)	-10/+70 (+14/+158)
ALFA 2410 APB	Filter fan	120 (130)	95 (105)	115/50-60	19 (18)	0.25 (0.19)	-10/+70 (+14/+158)
ALFA 2500 APB	Filter fan	230 (260)	175 (200)	230/50-60	40 (38)	0.30(0.27)	-10/+70 (+14/+158)
ALFA 2510 APB	Filter fan	230 (260)	175 (200)	115/50-60	40 (38)	0.60(0.55)	-10/+70 (+14/+158)
ALFA 2524 APTB	Filter fan	230	175	24DC	22	1.08	-10/+70 (+14/+158)
ALFA 2548 APTB	Filter fan	230	175	48DC	33	0.68	-10/+70 (+14/+158)
ALFA 3000 APB	Filter	-	-	-	-	-	-10/+70 (+14/+158)
ALFA 3500 APB	Filter fan	480 (530)	350 (380)	230/50-60	70 (90)	0.40 (0.38)	-10/+70 (+14/+158)
ALFA 3510 APB	Filter fan	480 (530)	350 (380)	115/50-60	70 (90)	0.80 (0.76)	-10/+70 (+14/+158)
ALFA 3540 APB	Filter fan	500 (550)	350 (380)	400/3ph/50-60	60 (70)	0.18 (0.15)	-10/+70 (+14/+158)

TECHNICAL FEATURES: plastic material self-extinguish ABS V0 RAL 7035, other colours on request; high efficiency dust filters made of self-extinguish acrylic fibre; protection degree IP54.

Specifications, values and drawings are subject to change without notice.



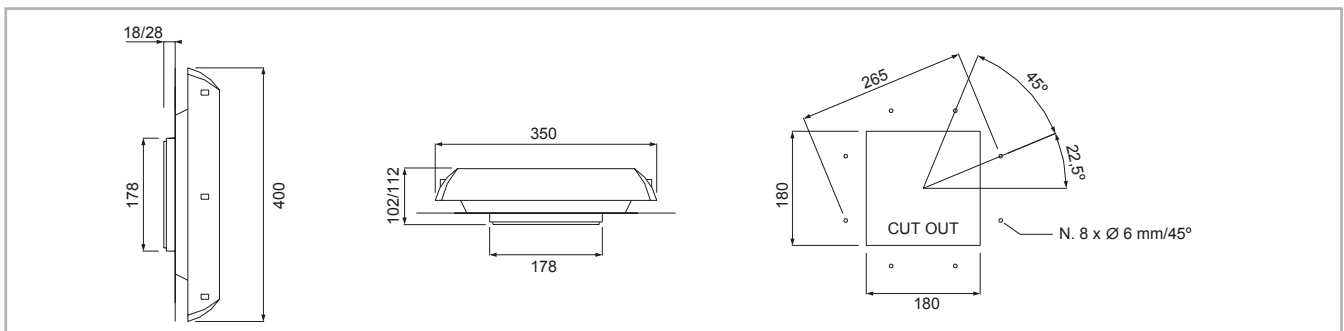
ALFATORR ROOF FAN AND VENT



IP44		ALFATORRB	ALFATORR0600B	ALFATORR0610B	ALFATORR0860B	ALFATORR0861B	ALFATORR1000B	ALFATORR1010B
cULus File n. E301228		ALFATORRUB	ALFATORR0600UB	ALFATORR0610UB	ALFATORR0860UB	ALFATORR0861UB	-	-
Air flow rate, free blow	m ³ /h	-	600 / 625		860 / 950		1000 / 1050	
Air flow rate with inlet filter	m ³ /h	-	430 / 450		580 / 640		700 / 720	
IP54		ALFATORRBF	ALFATORR0600BF	ALFATORR0610BF	ALFATORR0860BF	ALFATORR0861BF	ALFATORR1000BF	ALFATORR1010BF
Air flow rate (free blow)	m ³ /h	-	480 / 500		670 / 760		800 / 840	
Air flow rate with inlet filter	m ³ /h	-	345 / 360		465 / 510		560 / 580	
Power supply	V ph Hz	-	230 1 50/60	115 1 50/60	230 1 50/60	115 1 50/60	230 1 50/60	115 1 50/60
Dimensions WxDxH	IP44	400x350x102						
	IP54	400x350x112						
Power consumption	W	-	70 / 90		85 / 115		120 / 170	
Current consumption	A	-	0.32 / 0.40	0.64 / 0.80	0.43 / 0.50	0.86 / 1.00	0.50 / 0.75	1.00 / 1.50
Overcurrent protection	-	-	Thermal					
Electrical connection	-	-	Terminal					
Duty cycle	-	-	100%					
Operating temperature	°C (°F)	-10 / +70 (+14 / +158)						
Protection class	-	-	Class I					
Noise level	dB (A)	-	64 / 65		72 / 73			
Flow direction	-	-	Inside-out					
Bearing	-	-	Ball					
Service life (at 40°C)	hrs	-	50 000					
Material	-	ABS UL94V-0 Color RAL7035						
Gasket	-	Self-adhesive						
Weight (with packaging)	kg	2.30 (2.50)	3.65 (3.85)		4.00 (4.20)		4.75 (4.95)	
Package dimensions	mm	410x360x130						
Mounting	-	screws						
Conformity/Certifications	-	CE, UL cULus File n. E301229 (model with UB at the end of the code)						

Accessories

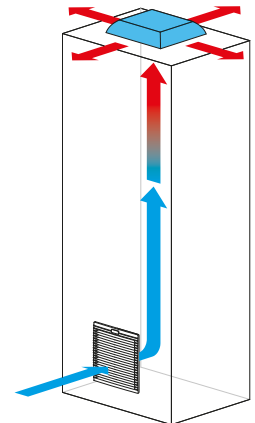
Thermostat 0-60°C, NO contact	THV2
Inlet filter	ATV5000
Spare filter mat (for IP54 version)	ALFAFT10
Fan speed controller	FSC1



Specifications, values and drawings are subject to change without notice.



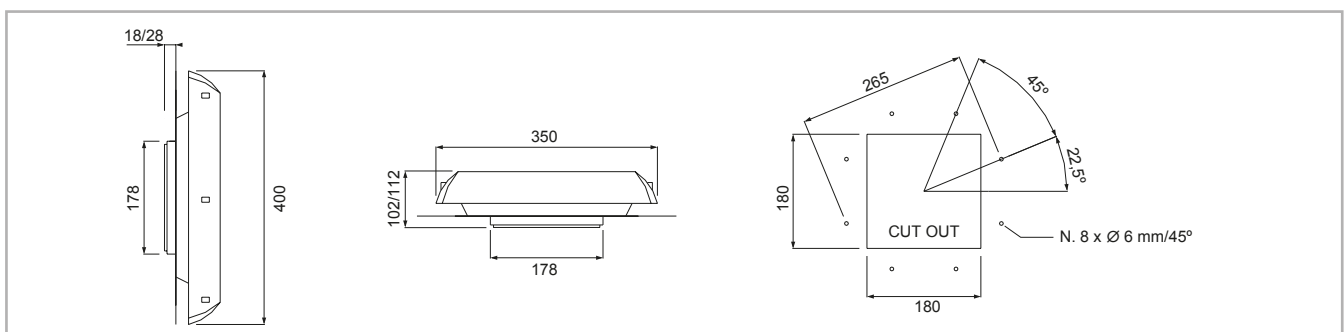
ALFATORR ROOF FAN AND VENT



IP44		ALFATORR0624B	
Air flow rate, free blow	m ³ /h	600 / 625	
Air flow rate with inlet filter	m ³ /h	480 / 500	
IP54		ALFATORR0624BF	
Air flow rate, free blow	m ³ /h	430 / 450	
Air flow rate with inlet filter	m ³ /h	360 / 375	
Power supply	V	24VDC	
Dimensions WxDxH	IP44	mm	400x350x102
	IP54	mm	400x350x112
Power consumption	W	59	
Current consumption	A	2.40	
Overcurrent protection	-	Thermal	
Electrical connection	-	Terminal	
Duty cycle	-	100%	
Operating temperature	°C (°F)	-20 / +50 (-4 / +122)	
Protection class	-	Class II	
Noise level	dB (A)	64 / 65	
Flow direction	-	Inside-out	
Bearing	-	Ball	
Service life (at 40°C)	hrs	50 000	
Material	-	ABS UL94V-0 Color RAL7035	
Gasket	-	Self-adhesive	
Weight (with packaging)	kg	2.6 (2.9)	
Package dimensions	mm	410x360x130	
Mounting	-	screws	
Conformity/Certifications	-	CE	

Accessories

Inlet filter	ATV5000
Spare filter mat (for IP54 version)	ALFAFT10

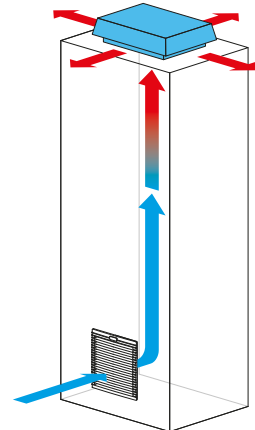


Specifications, values and drawings are subject to change without notice.



ALFATORR14

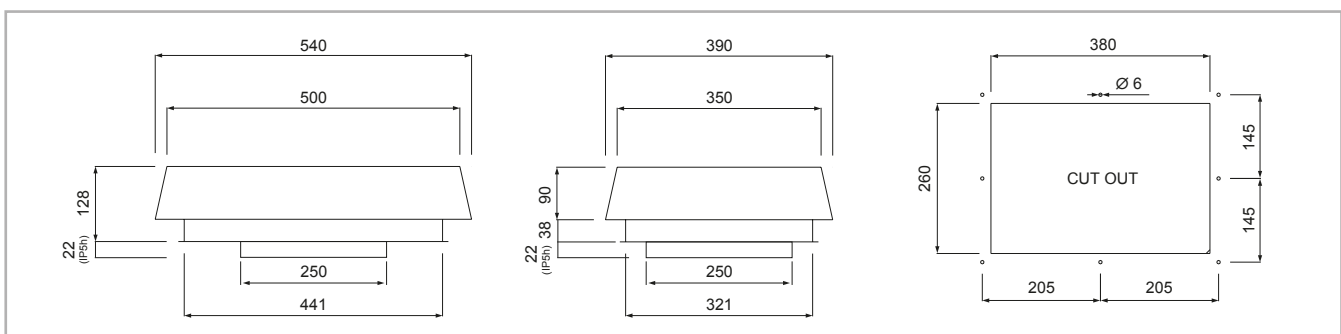
ROOF FAN



IP44		ALFATORRMETB	ALFATORR1450B	ALFATORR1451B
Air flow rate, free blow	m ³ /h	-	1500 / 1550	
Air flow rate with inlet filter	m ³ /h	-	900 / 950	
IP54		ALFATORRMETBF	ALFATORR1450BF	ALFATORR1451BF
Air flow rate, free blow	m ³ /h	-	1200 / 1240	
Air flow rate with inlet filter	m ³ /h	-	720 / 760	
Power supply	V ph Hz	-	230 1 50/60	115 1 50/60
Dimensions WxDxH	IP44	mm	540x390x128	
	IP54		540x390x150	
Power consumption	W	-	160 / 215	
Current consumption	A	-	0.70 / 0.98	1.40 / 1.96
Overcurrent protection	-	-	Thermal	
Electrical connection	-	-	3-pole terminal	
Duty cycle	-	-	100%	
Operating temperature	°C (°F)	-20 / +50 (-4 / +122)		
Protection class	-	-	Class I	
Noise level	dB (A)	-	74 / 75	
Flow direction	-	-	Inside-out	
Bearing	-	-	Ball	
Service life (at 40°C)	hrs	-	50 000	
Material	-	Sheet steel powder coated RAL7035		
Gasket	-	Self-adhesive		
Weight (with packaging)	kg	5.2 (5.5)	11.3 (12.3)	
Package dimensions	mm	550x400x140		
Mounting	-	Screws		
Conformity/Certifications	-	CE		

Accessories

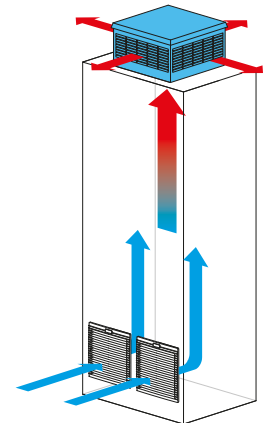
Thermostat 0-60°C, NO contact	THV2
Inlet filter	ATV5000
Spare filter mat (for IP54 version)	ALFAFT15
Fan speed controller	FSCI



Specifications, values and drawings are subject to change without notice.



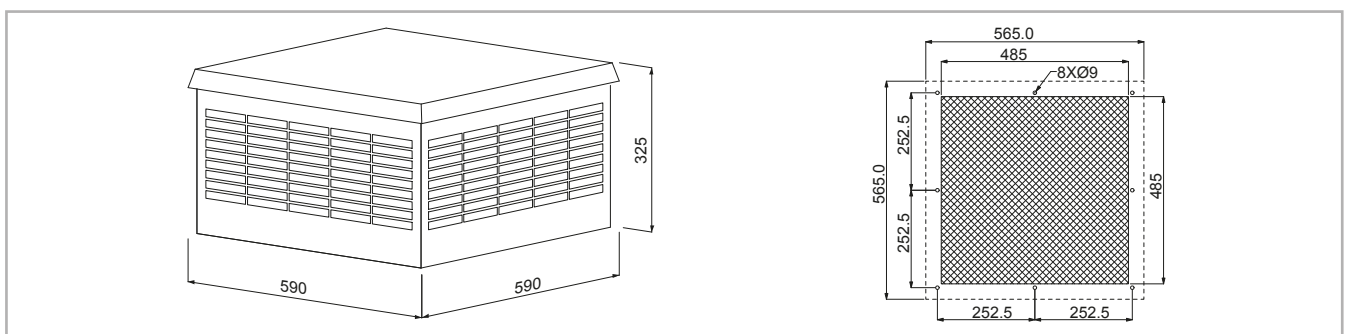
ALFATORR55 ROOF FAN AND VENT



FEATURES	Unit	ALFATORR5500B	ALFATORR5540B
Air flow rate, free blow	m ³ /h	4700 / 5500	
Air flow rate with inlet filters (4 x ATV5000)	m ³ /h	3300 / 3700	
Power supply	V ph Hz	230 1 50/60	400 3 50/60
Dimensions WxDxH	mm	590x590x325	
Power consumption	W	560 / 830	640 / 460
Current consumption	A	2.4 / 3.5	1.3 / 0.8
Overcurrent protection	-	Thermal	
Electrical connection	-	cable	
Duty cycle	-	100%	
Operating temperature	°C (°F)	-20 / +50 (-4 / +122)	
Protection degree / Class	-	IP20 / Class I	
Noise level	dB (A)	75 / 77	
Flow direction	-	Inside-out	
Bearing	-	Ball	
Service life (at 40°C)	hrs	50 000	
Material	-	Sheet steel powder coated RAL7035	
Gasket	-	Self-adhesive	
Weight (with packaging)	kg	31 (33)	
Package dimensions WxDxH	mm	600x600x380	
Mounting	-	screws	
Conformity/Certifications	-	CE	

Accessories

Inlet filter	ATV5000
--------------	---------



Specifications, values and drawings are subject to change without notice.



RACK

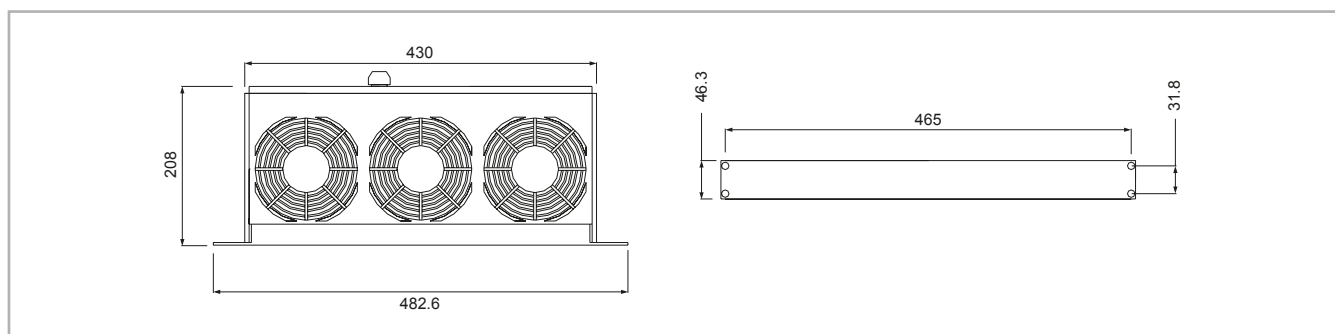
FAN TRAYS FOR 19" ENCLOSURES



FEATURES	Unit	RACK0222	RACK0212	RACK0224	RACK0248	RACK0322	RACK0312	RACK0324	RACK0348
Air flow rate, free blow	m ³ /h	300 / 360		300		450 / 540		450	
Power supply	V ph Hz	230 1 50/60	115 1 50/60	24DC	48DC	230 1 50/60	115 1 50/60	24DC	48DC
Dimensions HxWxD	mm	482x44x208							
Power consumption	W	36 / 34		18	28	54 / 51		27	42
Current consumption	A	0.26 / 0.22	0.48 / 0.36	0.75	0.58	0.39 / 0.33	0.72 / 1.08	1.12	0.88
Overcurrent protection	-	impedance							
Electrical connection	-	terminal 2.5 mm ²							
Duty cycle	-	100%							
Operating temperature	°C (°F)	-10 / +70 (+14 / +158)							
Protection degree/class	-	IP30/Class I							
Noise level	dB(A)	51 (52)							
Flow direction	-	bottom to top							
Bearing	-	ball							
Service life (at 40°C)	hr	50 000							
Material	-	PC-ABS UL94V-0 Color RAL7035							
Weight (with packaging)	kg	2.10 (2.30)		1.60 (1.80)		2.60 (2.80)		1.85 (2.05)	
Package dimensions	mm	510x220x65							
Mounting	-	Screws							
Conformity/Certifications	-	CE							

Accessories

Thermostat 0-60°C, NO contact					THV2				
Fan speed controller		FSC1		-		FSC1		-	



Specifications, values and drawings are subject to change without notice.



AC/DC FANS



AC FANS

Code	m ³ /h	Bearing	Power supply V/Hz	Connection	Dim. mm
V1081BT230VAC	160	ball	220-240/50-60	fast-on	119x119x38
V1081BT115VAC	160	ball	110-120/50-60	fast-on	119x119x38
V1081BT24VAC	160	ball	24/50-60	fast-on	119x119x38
V1081BT48VAC	160	ball	48/50-60	fast-on	119x119x38
V1081ST230VAC	160	sleeve	220-240/50-60	fast-on	119x119x38
V1081ST115VAC	160	sleeve	110-120/50-60	fast-on	119x119x38
V1081ST24VAC	160	sleeve	24/50-60	fast-on	119x119x38
V1081ST48VAC	160	sleeve	48/50-60	fast-on	119x119x38
V1087BT230VAC	190	ball	220-240/50-60	fast-on	127x127x38
V1087BT115VAC	190	ball	110-120/50-60	fast-on	127x127x38
V108XB230VAC	105	ball	220-240/50-60	fast-on	120x120x25
V108XB115VAC	105	ball	110-120/50-60	fast-on	120x120x25
V108JCSW230VA	65	sleeve	220-240/50-60	wires	92x92x38
V108JCSW115VA	65	sleeve	110-120/50-60	wires	92x92x38
V108JCBT230VA	65	ball	220-240/50-60	fast-on	92x92x38
V108JCBT115VA	65	ball	110-120/50-60	fast-on	92x92x38
V108BBT230VAC	50	ball	220-240/50-60	fast-on	92x92x25
V108BBT115VAC	50	ball	110-120/50-60	fast-on	92x92x25
V108BST230VAC	50	sleeve	220-240/50-60	fast-on	92x92x25
V108BST115VAC	50	sleeve	110-120/50-60	fast-on	92x92x25
V108ABT230VAC	45	ball	220-240/50-60	fast-on	80x80x38
V108ABW230VAC	45	ball	220-240/50-60	wires	80x80x38
V108ABT115VAC	45	ball	110-120/50-60	fast-on	80x80x38
V108AST230VAC	45	sleeve	220-240/50-60	fast-on	80x80x38
V108AST115VAC	45	sleeve	110-120/50-60	fast-on	80x80x38
V108AXB230VA	35	ball	220-240/50-60	fast-on	80x80x25
V108AXBW230VA	35	ball	220-240/50-60	wires	80x80x25
V108AXB115VA	35	ball	110-120/50-60	fast-on	80x80x25
V108AXST230VA	35	sleeve	220-240/50-60	fast-on	80x80x25
V108AXST115VA	35	sleeve	110-120/50-60	fast-on	80x80x25
V108EXBT230VA	325	ball	220-240/50-60	fast-on	172x150x51
V108EXBW230VA	325	ball	220-240/50-60	wires	172x150x51
V108EXBT115VA	325	sleeve	110-120/50-60	fast-on	172x150x51
V108EXBW115VA	325	ball	110-120/50-60	wires	172x150x51
V108EXST230VA	325	sleeve	220-240/50-60	fast-on	172x150x51
V108EXST115VA	325	ball	110-120/50-60	fast-on	172x150x51
V108EXMBT230V	340	ball	220-240/50-60	fast-on	172x150x38
V108EXMBT115V	340	ball	110-120/50-60	fast-on	172x150x38
V108CBW230VA	350	ball	220-240/50-60	wires	162x150x55
V108CBW115VA	350	ball	110-120/50-60	wires	162x150x55
V108KBW230VAC	600	ball	220-240/50	wires	220x60
V108KBW115VAC	600	ball	110-120/50	wires	220x60
V108HHBT230VA	800	ball	220-240/50-60	fast-on	254x89
V108HHBT115VA	800	ball	110-120/50-60	fast-on	254x89

DC FANS

Code	m ³ /h	Bearing	Power supply V/Hz	Connection	Dim. mm
V108EXBW24VDC	460	ball	24 DC	wires	172x150x51
V108EXBW48VDC	460	ball	48 DC	wires	172x150x51
V1087BW24VDC	240	ball	24 DC	wires	127x127x38
V1087BW48VDC	240	ball	48 DC	wires	127x127x38
V1081BW12VDC	180	ball	12 DC	wires	119x119x38
V1081BW24VDC	180	ball	24 DC	wires	119x119x38
V1081BW48VDC	180	ball	48 DC	wires	119x119x38
V1081SW12VDC	180	sleeve	12 DC	wires	119x119x38
V1081SW24VDC	180	sleeve	24 DC	wires	119x119x38
V1081SW48VDC	180	sleeve	48 DC	wires	119x119x38
V108MBW12VDC	150	ball	12 DC	wires	120x120x25
V108MBW24VDC	150	ball	24 DC	wires	120x120x25
V108MSW12VDC	150	sleeve	12 DC	wires	120x120x25
V108MSW24VDC	150	sleeve	24 DC	wires	120x120x25
V108BBW24VDC	100	ball	24 DC	wires	92x92x25
V108DBW12VDC	65	ball	12 DC	wires	80x80x25
V108DBW24VDC	65	ball	24 DC	wires	80x80x25
V108DSW12VDC	65	sleeve	12 DC	wires	80x80x25
V108DSW24VDC	65	sleeve	24 DC	wires	80x80x25
V108FSW24VDC	35	sleeve	24 DC	wires	60x60x25
V108GBW24VDC	15	ball	24 DC	wires	40x40x20

Code	m ³ /h	Bearing	Power supply V/Hz	Connection	Dim. mm
12025FB2HT	105	ball	220-240/50-60	fast-on	119x119x25
12038FB1HT	160	ball	110-120/50	fast-on	119x119x38
12038FB2XT	160	ball	220-240/50-60	fast-on	119x119x38
12038FB4HT	140	ball	24 DC	fast-on	119x119x38
12038FS1HT	160	sleeve	110-120/50	fast-on	119x119x38
12038FS2XT	160	sleeve	220-240/50-60	fast-on	119x119x38
12038FS4HT	140	sleeve	24 DC	fast-on	119x119x38
15050FB1HL	310	ball	110-120/50	wires	172x150x51
15050FB1HT	310	ball	110-120/50	fast-on	172x150x51
15050FB2HL	310	ball	220-240/50-60	wires	172x150x51
15050FB2HT	310	ball	220-240/50-60	fast-on	172x150x51
15050FS2HT	310	sleeve	220-240/50-60	fast-on	172x150x51
8025FB2HL	27	ball	220-240/50-60	wires	80x80x25
8038FB2HL	38	ball	220-240/50-60	wires	80x80x38
8038FB2HT	38	ball	220-240/50-60	fast-on	80x80x38
8038FS2HT	38	sleeve	220-240/50-60	fast-on	80x80x38

Specifications, values and drawings are subject to change without notice.



AQL

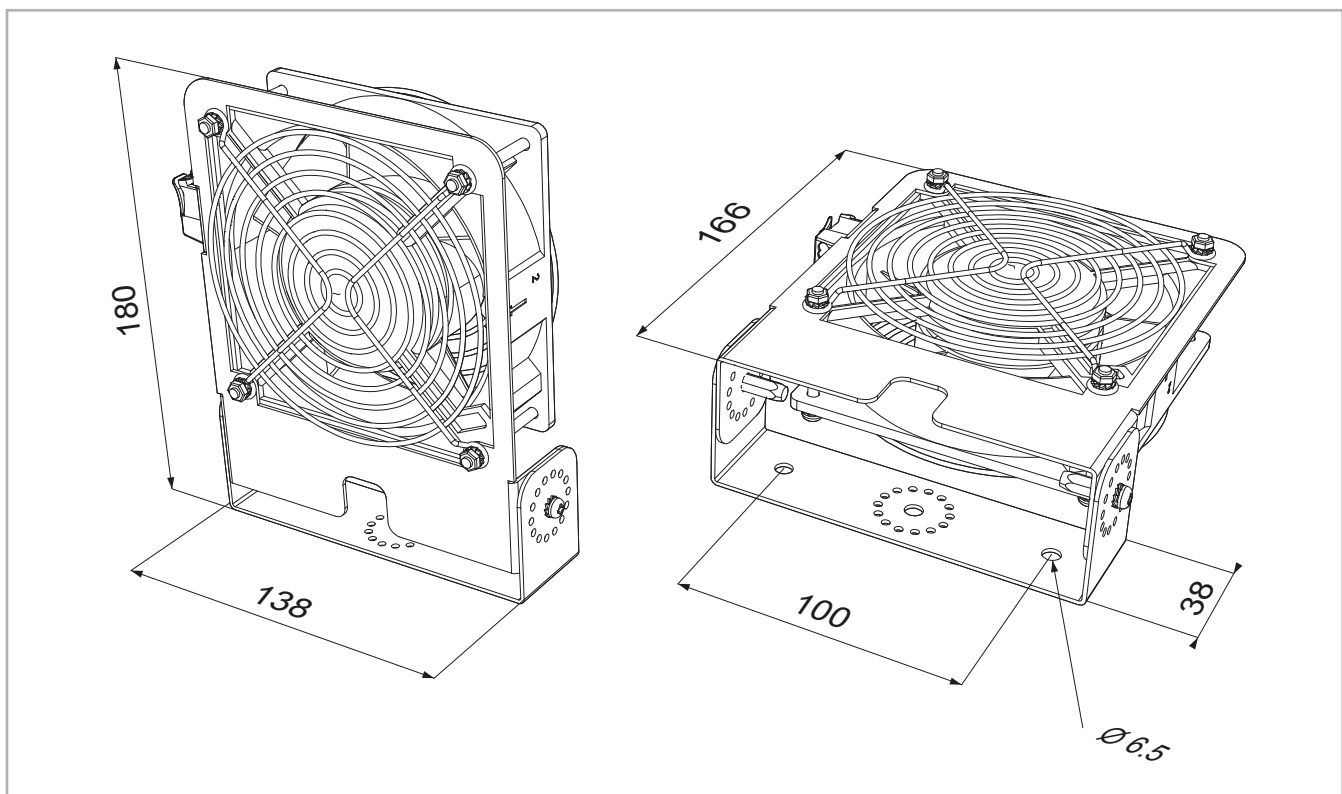
INTERNAL ENCLOSURE FAN

AQL is the best solution to prevent hot spots inside of the electrical enclosure and ensure the right ventilation for components installed inside of the cabinet.



FEATURES	Unit	AQL120.000	AQL120.010	AQL120.240
Power supply	V ph Hz	230 1 50/60	115 1 50/60	24VDC
Air flow rate, free blow	m ³ /h	160 / 180	160 / 180	180
Power consumption	W	18 / 16	20 / 17	9
Current consumption	A	0.13 / 0.11	0.26 / 0.24	0.36
Electrical connection	-	Spring terminals *	Spring terminals *	Spring terminals *
Operating temperature	°C (°F)	-20 / +70 (-4 / +158)	-20 / +70 (-4 / +158)	-20 / +70 (-4 / +158)
Noise level	dB(A)	42 / 45	42 / 45	45
Weight	kg	0.92	0.92	0.6
Mounting	-	by screws		
Conformity	-	CE		

* 0.5-2.5mm²



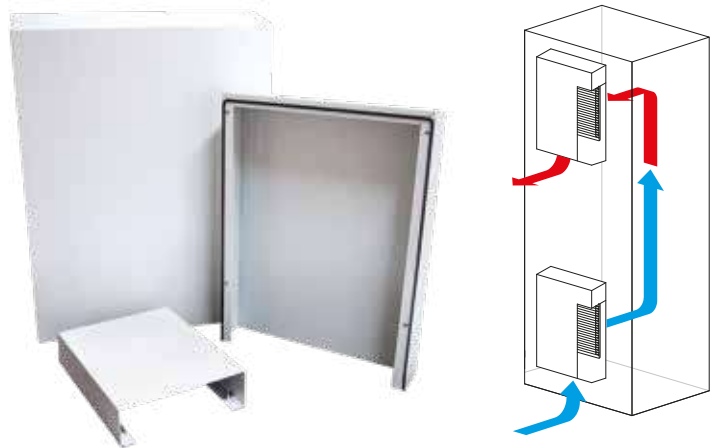
Specifications, values and drawings are subject to change without notice.



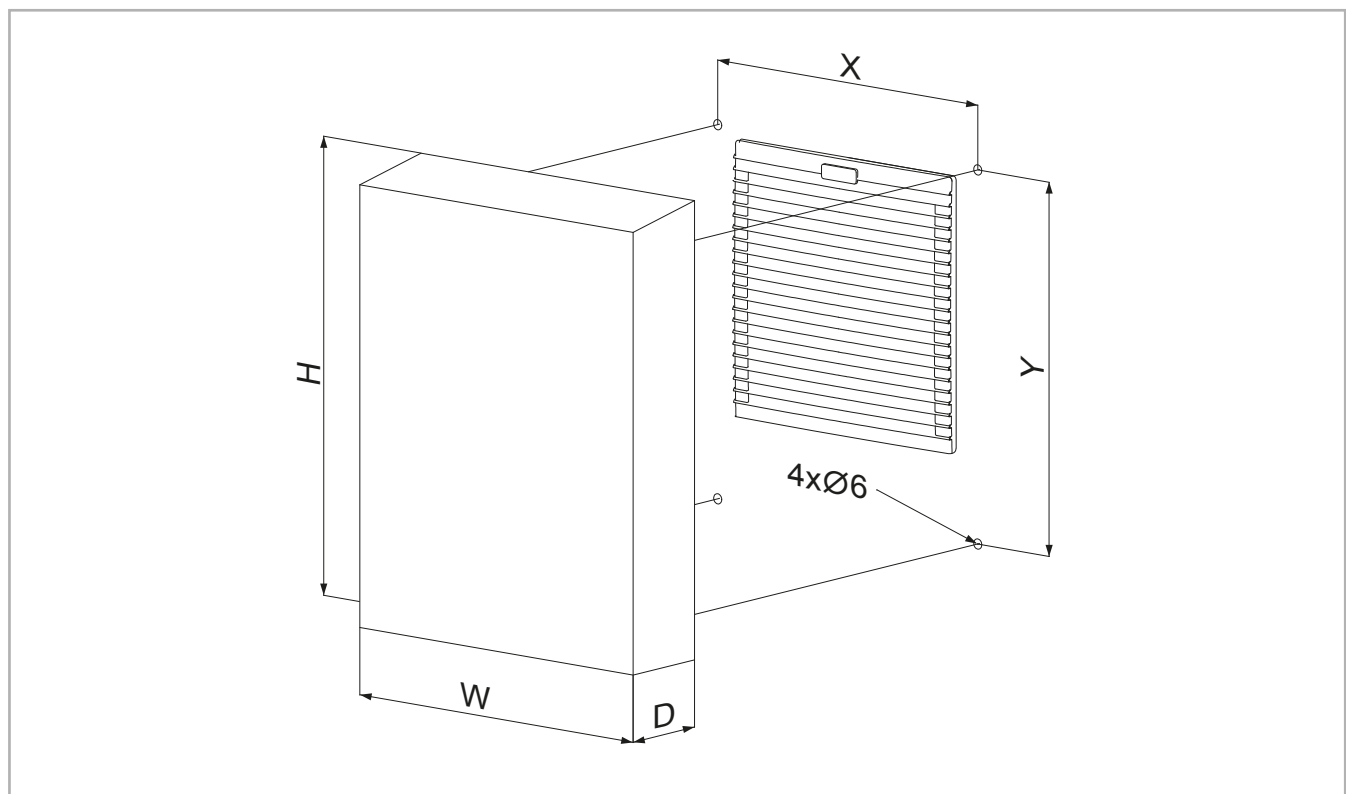
CUFF

PROTECTION HOODS FOR FILTER FANS

Protection hoods allows to achieve IP56 protection degree for filter and filter fan applications



FEATURES		Unit	CUFF10B	CUFF20B	CUFF30B	CUFF10X	CUFF20X	CUFF30X
Suitable for	-	ATV1 / ATV2	ATV3 / ATV4	ATV5	ATV1 / ATV2	ATV3 / ATV4	ATV5	
		ALFAA / ALFA1	ALFAB / ALFA2	ALFA3	ALFAA / ALFA1	ALFAB / ALFA2	ALFA3	
Material	-	Galvanised sheet steel powder coated RAL7035			Stainless steel AISI304			
Dimensions	H	mm	255	425	540	255	425	540
	W	mm	195	325	410	195	325	410
	D	mm	60	60	110	60	60	110
	X	mm	175	305	390	175	305	390
	Y	mm	175	285	440	175	285	440
Mounting	-	By screws						
Gasket	-	foam seal gasket						
Weight	Kg	0.8	1.9	3.3	0.8	1.9	3.3	
Conformity	-	CE						



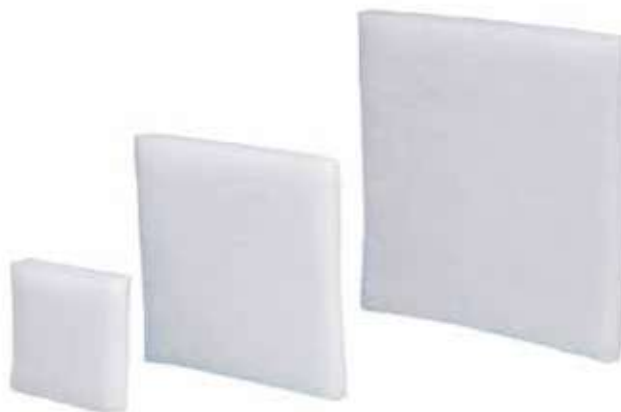
Specifications, values and drawings are subject to change without notice.



ATVF - ALFAF

SPARE FILTER MATS FOR FILTER FANS

Standard filter mats for filter fans and filter only units. To keep high performance it is necessary to periodically check the level of filter mat clogging and, if necessary, replace it with a new one. These filters are made of self-extinguishing synthetic fibres with a progressive filtering capacity.



FEATURES	ATVF1	ATVF2	ATVF3	ATVF4	ATVF5
Supported products	ATV1 series	ATV2 series	ATV3 series	ATV4 series	ATV5 series
Filter class	G2	G3			
Pcs in 1 pack	10				

FEATURES	ALFAFBPA0	ALFAFBP10	ALFAFBPB0	ALFAFBP20	ALFAFBP30
Supported products	ALFAA series	ALFA1 series	ALFAB series	ALFA2 series	ALFA3 series
Filter class	G2	G3			
Pcs in 1 pack	10				

FEATURES	ALFAFT10			ALFAFT15	
Supported products	ALFATORR06__BF ALFATORR08__BF ALFATORR10__BF			ALFATORR1450BF-1451BF	
Pcs in 1 pack	10				

ATVFU

SPARE FILTER MATS FOR UL CERTIFIED FILTER FANS

UL certified filter mats for filter fans and filter units.

These filters are made of self-extinguishing synthetic fibres with a progressive filtering capacity.

FEATURES	ATVFIU	ATVF2U	ATVF3U	ATVF4U	ATVF5U
Supported products	ATV1U series	ATV2U series	ATV3U series	ATV4U series	ATV5U series
Filter class	G3				
Pcs in 1 pack	10				

ATVFX - ALFAFX

HIGH EFFICIENCY SPARE FILTER MATS FOR FILTER FANS

High efficiency filter mats are used in is very fine dust environments.

Air flow rates is substantially reduced and this should be take into account when selecting the filter fan.

FEATURES	ATVFIX	ATVF2X	ATVF3X	ATVF4X	ATVF5X
Supported products	ATV1 series	ATV2 55 series	ATV3 55 series	ATV4 55 series	ATV5 55 series
	ATV1 series	ATV2 V series	ATV3 V series	ATV4 V series	ATV5 V series
Filter class	G3	G4			
Pcs in 1 pack	10				

FEATURES	ALFAFBPA0X	ALFAFBP10X	ALFAFBPB0X	ALFAFBP20X	ALFAFBP30X
Supported products	ALFAA series	ALFA1 series	ALFAB series	ALFA2 series	ALFA3 series
Filter class	G3	G4			
Pcs in 1 pack	10				

Specifications, values and drawings are subject to change without notice.



ALFAKF

COMPACT FILTER UNITS

Suitable for direct screw mounting on axial fans. They can also be mounted with the fan inside the enclosure. Mounting holes diameter $\varnothing 6.0-6.5$ mm. Self-extinguishing plastic, black.

CODE	Description	DIM.[mm]	Pcs in 1 pack
ALFAKF060	Compact filter unit	60x60	1
ALFAKF080	Compact filter unit	80x80	1
ALFAKF092	Compact filter unit	92x92	1
ALFAKF120	Compact filter unit	120x120	1
ALFAKF150	Compact filter unit	150x200	1



ALFAKR120

COMPACT FILTER UNITS - HIGH PERFORMANCE

Compact filter unit with reduced pressure drop. Filter media, steel or acrylic, is easy accessible and cleanable. Available in three versions:

CODE	Description	DIM.[mm]	Pcs in 1 pack
ALFAKR120	Compact filter unit with standard filter mat	125x125x10	20
ALFAKR120R	Compact filter unit with metallic filter mesh	125x125x10	20
ALFAKR120RF	Compact filter unit with standard filter mat and metallic filter mesh	125x125x10	20



ALFAGM

METALLIC PROTECTION GRILLS

Finger guard metallic protection grills for axial fans. Range $\varnothing 40-254$ mm. Complying with international safety norms.

CODE	Description	DIM.[mm]	Pcs in 1 pack
ALFAGM040	Metallic finger protection grill	$\varnothing 40$	100
ALFAGM060	Metallic finger protection grill	$\varnothing 60$	100
ALFAGM080	Metallic finger protection grill	$\varnothing 80$	100
ALFAGM092	Metallic finger protection grill	$\varnothing 92$	100
ALFAGM120	Metallic finger protection grill	$\varnothing 120$	100
ALFAGM127	Metallic finger protection grill	$\varnothing 127$	100
ALFAGM150	Metallic finger protection grill	$\varnothing 150$	100
ALFAGM220	Metallic finger protection grill	$\varnothing 220$	100
ALFAGM254	Metallic finger protection grill	$\varnothing 254$	100



SPINOTTO

FAN POWER CORDS

Suitable to all fast-on connection fans. Black cable with injection moulded straight plug for 2,8x0,5 mm pins.

CODE	Description	Pcs in 1 pack
SPINOTTOA2-06	Straight power cord 600 mm.	1
SPINOTTOA2-10	Straight power cord 1000 mm.	1
SPINOTTOA2-20	Straight power cord 2000 mm.	1



Specifications, values and drawings are subject to change without notice.

Anticondensation Heaters

Application

Enclosure heaters are often necessary to prevent failures or corrosion caused by low temperatures or high humidity inside the enclosure. Such conditions are likely to occur when ambient temperature is low and the equipment inside the enclosure is not powered or fails to dissipate enough heat to keep enclosure temperature above the minimum threshold. Outdoor enclosures, for instance, are almost always in such conditions.

Safety

According to the type of heater, surface temperature is limited either by a PTC or by an over temperature safety switch. This allows a safe operation and a self-adjusted heating power. All heaters are in Class II, except FSHT and FPH series in Class I.

Wide range of solutions

Alfa Electric offers a wide range of solutions, all for DIN rail mounting:

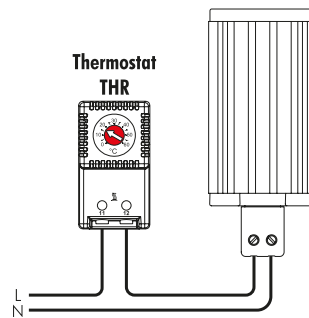
- HT** – PTC heaters with connection on terminals, 25-150W
- STHT** – PTC heaters with connection on terminals, 25-150W
- FSHT** – Resistor heaters, fan assisted, 250-750W
- TMX** – PTC heaters, fan assisted, 150-600W
- TMC** – PTC heaters, fan assisted, 200-350W
- FPH** – PTC heaters, fan assisted, 1200-1500W
- MHT** – PTC mini heaters, 25-50W

Fast installation

Installation is fast and simple. All units are designed for fast mounting on 35mm DIN EN 50022 rail.

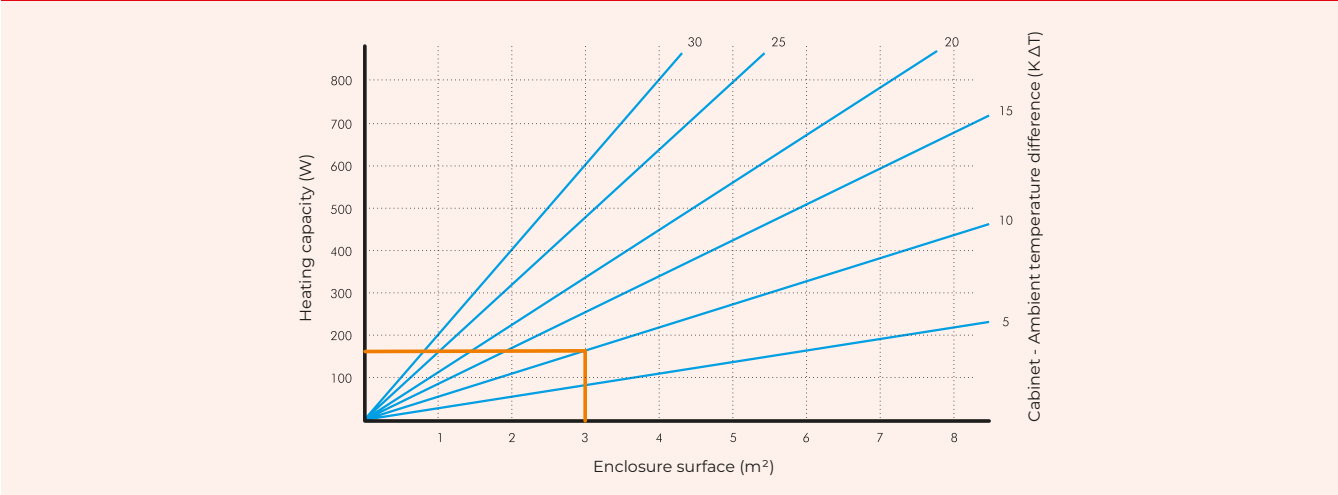
ANTICONDENSATION HEATERS SELECTION WITH WATT-A-CALCULATOR

Watt-a-Calculator is a selection software that makes the best model to the specific customer application. Watt-a-Calculator is available on Alfaelectric web site. Please visit it and follow the easy instructions to find the solutions for you.
www.alfaelectric.com/wattcalc



Example:	
Enclosure surface	3m ²
Temperature difference	10K
Heating capacity required	170W
Possible heater solutions	n°2 HT100 n°1 TMX250 n°1 FSHT250

HEATING PERFORMANCE DIAGRAM



Specifications, values and drawings are subject to change without notice.

HT.000

COMPACT PTC HEATERS

Compact PTC heaters series with minimum DIN rail foot-print. Terminal connection.

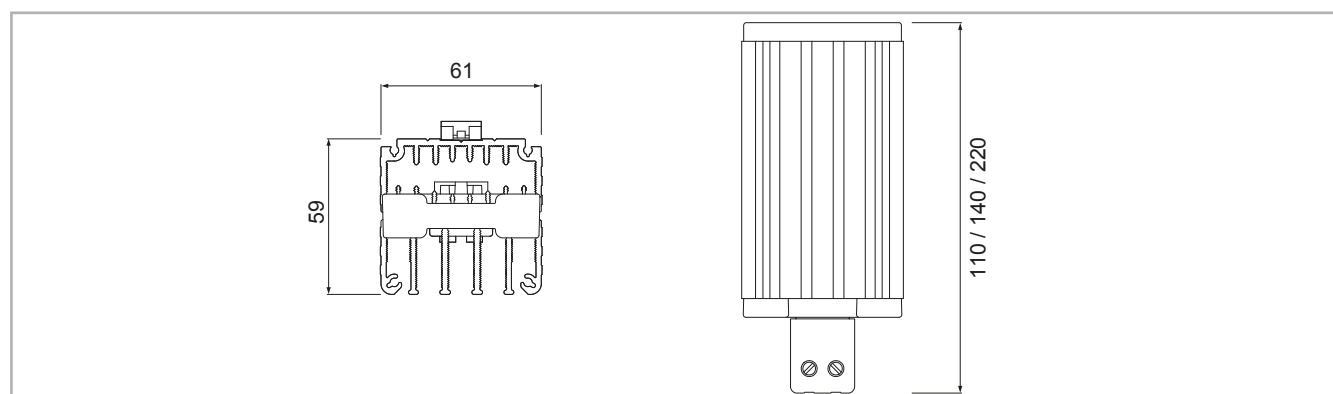


FEATURES	Unit	HT25.000	HT50.000	HT75.000	HT100.000	HT150.000
Heating Capacity*	W	25	50	75	100	150
Power supply	V	120-240V AC/ DC				
Inrush current	A	2.5	3.5	4	5	9.5
Delayed fuse (advised)	A	4	4	6.3	8	10
Heating element type	-	PTC resistor, self-regulation				
Electrical connections	-	screw terminals for stranded or rigid wire 2.5 mm ²				
Protection class	-	Class II				
Protection degree EN60529	-	IP20				
Operating temperature	°C (°F)	-45 / +70 (-49 / +158)				
Storage temperature	°C (°F)	-45 / +80 (-49 / +176)				
Radiator	-	Extruded aluminium profile				
Mounting	-	Clip for mounting on DIN rail 35 mm EN50022				
Installation position	-	Best efficiency in vertical position				
Dimensions HxWxD	mm	110x61x59		140x61x59		220x61x59
Weight (with packaging)	Kg	0.25 (0.28)		0.32 (0.36)		0.57 (0.62)
Conformity/Certification	-	CE – UL File n. E301228				

*at 10°C (50°F) ambient temperature

Accessories

Thermostat NC 0-60°C	THR2
Double thermostat NC 0-60°C NO 0-60°	THR22
Hygrothermostat 0-60°C 20-90%RH	ETUH22.AA0
Hygrostat 10-90%RH	MUH



Specifications, values and drawings are subject to change without notice.

HT VDC

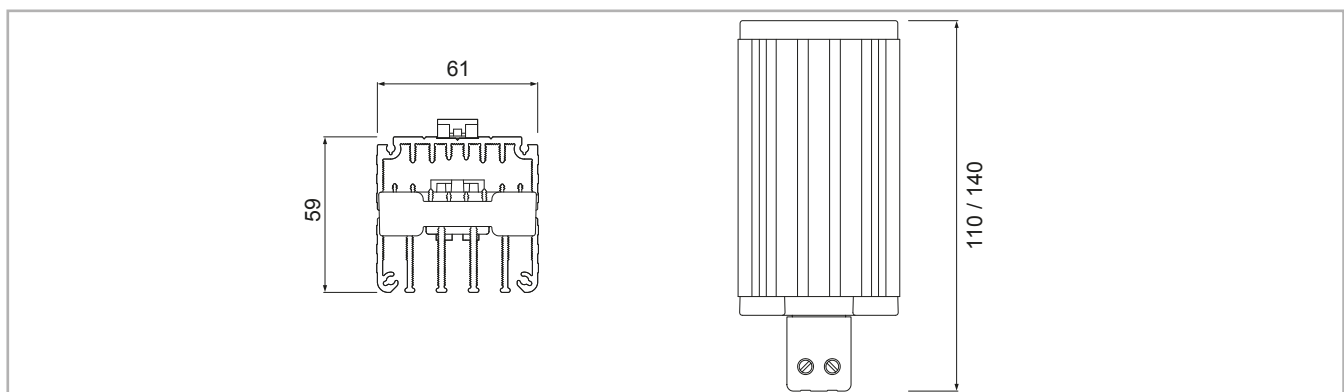
COMPACT PTC HEATERS, 24 or 48VDC

Compact PTC heaters series with minimum DIN rail foot-print. Terminal connection. Voltage supply 24 or 48V AC/DC.



FEATURES	Unit	HT50.240	HT100.240	HT100.480
Heating Capacity*	W	50	100	100
Power supply	V	24V AC/DC		48V AC/DC
Heating element type	-	PTC resistor, self-regulation		
Electrical connections	-	screw terminals for stranded or rigid wire 2.5 mm ²		
Protection class	-	Class II		
Protection degree EN60529	-	IP20		
Operating temperature	°C (°F)	-45 / +70 (-49 / +158)		
Storage temperature	°C (°F)	-45 / +80 (-49 / +176)		
Radiator	-	Extruded aluminium profile		
Mounting	-	Clip for mounting on DIN rail 35 mm EN50022		
Installation position	-	Best efficiency in vertical position		
Dimensions HxWxD	mm	110x61x59	140x61x59	140x61x59
Weight (with packaging)	Kg	0.25 (0.28)	0.32 (0.36)	0.32 (0.36)
Conformity/Certification	-	CE		

* at 10°C (50°F) ambient temperature



Specifications, values and drawings are subject to change without notice.

HT.001

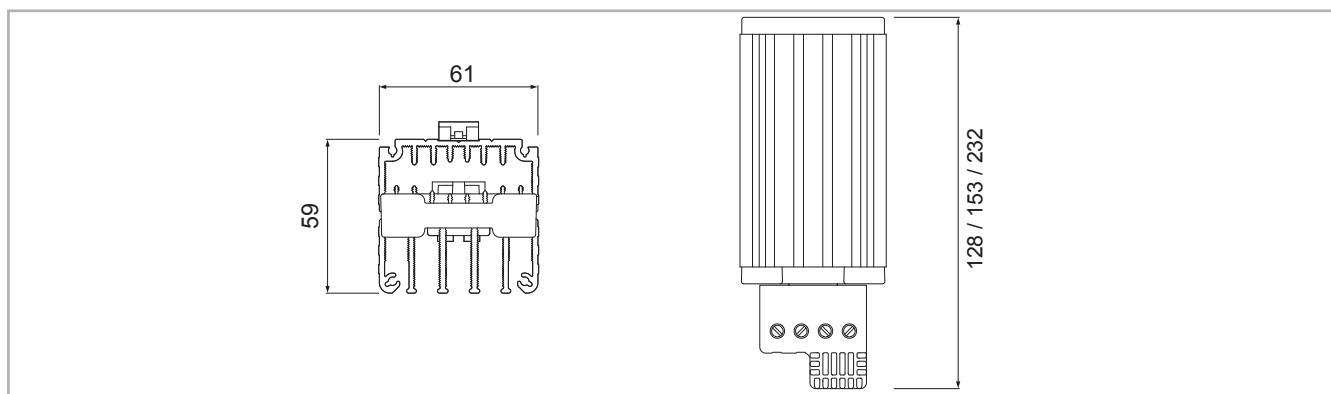
COMPACT PTC HEATERS WITH INTEGRATED THERMOSTAT FIXED SET

Compact PTC heaters series with minimum DIN rail foot-print. Terminal connection. Integrated thermostat fixed set.



FEATURES	Unit	HT25.001	HT50.001	HT75.001	HT100.001	HT150.001
Heating Capacity*	W	25	50	75	100	150
Power supply	V	120-240V AC/DC				
Switch on / switch off temp.	°C (°F)	+5 / +15 (+41 / +59)				
Inrush current	A	2.5	3.5	4	5	9.5
Delayed fuse (advised)	A	4	4	6.3	8	10
Heating element type	-	PTC resistor, self-regulation				
Electrical connections	-	screw terminals for stranded or rigid wire 2.5 mm ²				
Protection class	-	Class II				
Protection degree EN60529	-	IP20				
Operating temperature	°C (°F)	-45 / +70 (-49 / +158)				
Storage temperature	°C (°F)	-45 / +80 (-49 / +176)				
Radiator	-	Extruded aluminium profile				
Mounting	-	Clip for mounting on DIN rail 35 mm EN50022				
Installation position	-	Best efficiency in vertical position				
Dimensions HxWxD	mm	128x61x59		153x61x59		232x61x59
Weight (with packaging)	Kg	0.26 (0.29)		0.33 (0.37)		0.58 (0.63)
Conformity/Certification	-	CE				

*at 10°C (50°F) ambient temperature



Specifications, values and drawings are subject to change without notice.


STHT.000

TOUCH SAFE PTC HEATERS

Optimized design to achieve lower surface temperature and increased heat transfer efficiency. A thermo-resistant plastic shield surrounds the unit to prevent direct contacts with high temperature internal parts.

Terminal connection.

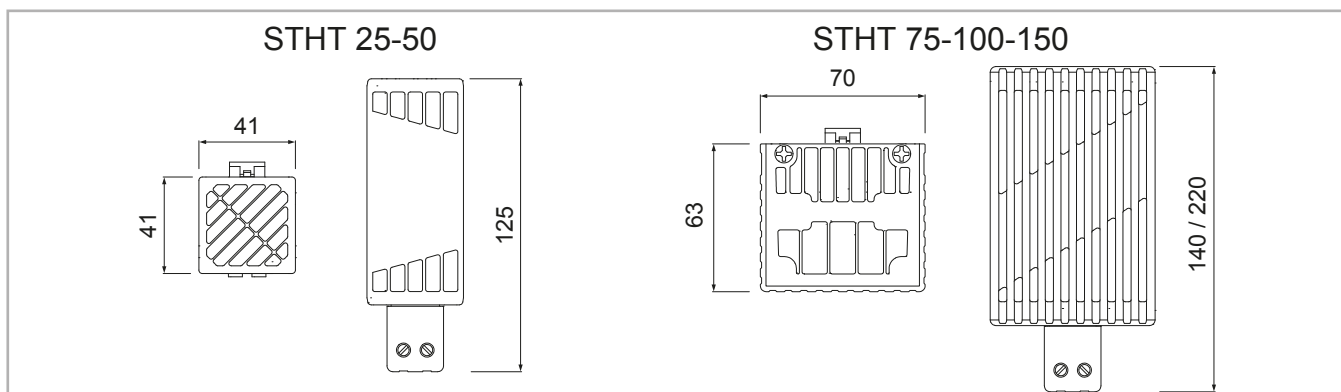


FEATURES	Unit	STHT25.000	STHT50.000	STHT75.000	STHT100.000	STHT150.000
Heating Capacity*	W	25	50	75	100	150
Power supply	V	120-240V AC/DC				
Inrush current	A	2.5	3.5	4	5	9.5
Delayed fuse (advised)	A	4	4	6.3	8	10
Heating element type	-	PTC resistor, self-regulation				
Electrical connections	-	screw terminals for stranded or rigid wire 2.5 mm ²				
Protection class	-	Class II				
Protection degree EN60529	-	IP20				
Operating temperature	°C (°F)	-45 / +70 (-49 / +158)				
Storage temperature	°C (°F)	-45 / +80 (-49 / +176)				
Radiator	-	Extruded aluminium profile, with plastic cover				
Mounting	-	Clip for mounting on DIN rail 35 mm EN50022				
Installation position	-	Best efficiency in vertical position				
Dimensions HxWxD	mm	125x41x41		140x70x63		220x70x63
Weight (with packaging)	Kg	0.17 (0.19)		0.41 (0.45)		0.69 (0.74)
Conformity/Certification	-	CE – UL  File n. E301228				

* at 10°C (50°F) ambient temperature

Accessories

Thermostat NC 0-60°C	THR2
Double thermostat NC 0-60°C NO 0-60°	THR22
Hygrothermostat 0-60°C 20-90%RH	ETUH22.AA0
Hygrostat 10-90%RH	MUH



Specifications, values and drawings are subject to change without notice.

AEL-CAT-EN-24-00

STHT.001

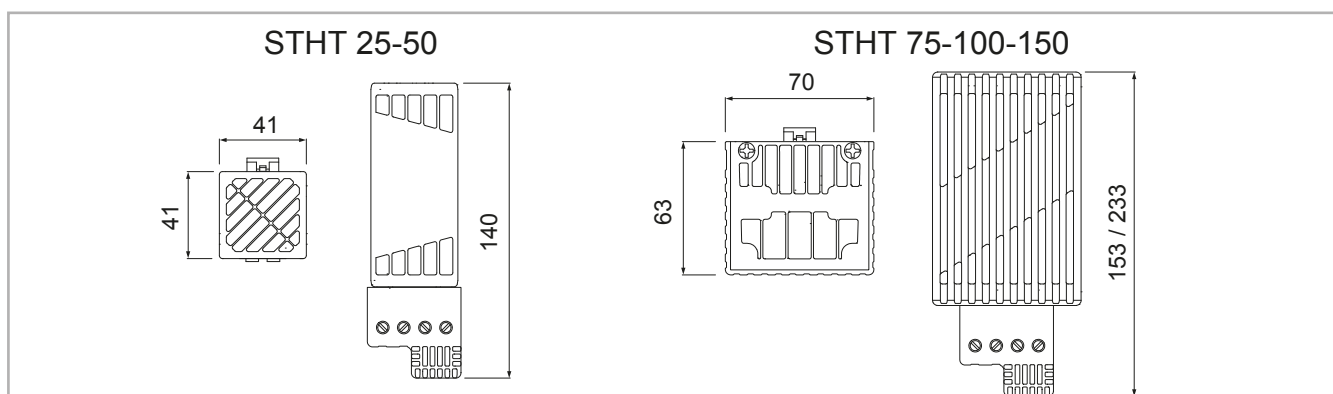
TOUCH SAFE PTC HEATERS WITH INTEGRATED THERMOSTAT FIXED SET

Optimized design to achieve lower surface temperature and increased heat transfer efficiency. A thermo-resistant plastic shield surrounds the unit to prevent direct contacts with high temperature internal parts. Terminal connection. Integrated thermostat fixed set



FEATURES	Unit	STHT25.001	STHT50.001	STHT75.001	STHT100.001	STHT150.001
Heating Capacity*	W	25	50	75	100	150
Power supply	V	120-240V AC/DC				
Switch on / switch off temp.	°C (°F)	+5 / +15 (+41 / +59)				
Inrush current	A	2.5	3.5	4	5	9.5
Delayed fuse (advised)	A	4	4	6.3	8	10
Heating element type	-	PTC resistor, self-regulation				
Electrical connections	-	screw terminals for stranded or rigid wire 2.5 mm ²				
Protection class	-	Class II				
Protection degree EN60529	-	IP20				
Operating temperature	°C (°F)	-45 / +70 (-49 / +158)				
Storage temperature	°C (°F)	-45 / +80 (-49 / +176)				
Radiator	-	Extruded aluminium profile, with plastic cover				
Mounting	-	Clip for mounting on DIN rail 35 mm EN50022				
Installation position	-	Best efficiency in vertical position				
Dimensions HxWxD	mm	140x44x41		153x70x63		233x70x63
Weight (with packaging)	Kg	0.18 (0.20)		0.42 (0.46)		0.70 (0.75)
Conformity/Certification	-	CE				

* at 10°C (50°F) ambient temperature




Specifications, values and drawings are subject to change without notice.

MHT

COMPACT PTC HEATERS

Compact PTC heaters series with minimum DIN rail foot-print. Cable connection.

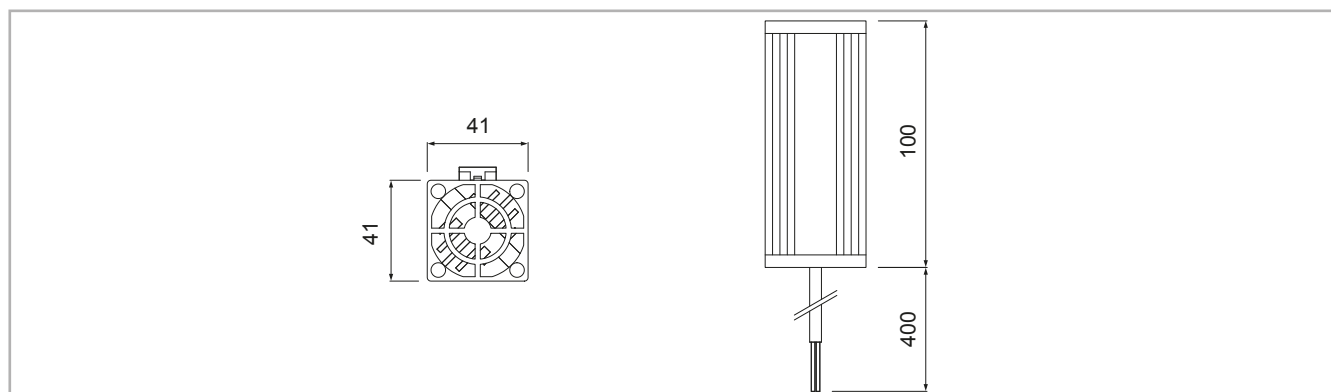


FEATURES	Unit	MHT25	MHT50
Heating Capacity*	W	25	50
Power supply	V	120-240V AC/DC	
Inrush current	A	2.5	3.5
Delayed fuse (advised)	A	4	4
Heating element type	-	PTC resistor, self-regulation	
Electrical connections	-	cable, 2x0,5mm ² , L=400mm	
Protection class	-	Class II	
Protection degree EN60529	-	IP20	
Operating temperature	°C (°F)	-45 / +70 (-49 / +158)	
Storage temperature	°C (°F)	-45 / +80 (-49 / +176)	
Radiator	-	Extruded aluminium profile	
Mounting	-	Clip for mounting on DIN rail 35 mm EN50022	
Installation position	-	Best efficiency in vertical position	
Dimensions HxWxD	mm	100x41x41	
Weight (with packaging)	Kg	0.29 (0.24)	
Conformity/Certification	-	CE - UL  File n. E301228	

*at 10°C (50°F) ambient temperature

Accessories

Thermostat NC 0-60°C	THR2
Double thermostat NC 0-60°C NO 0-60°	THR22
Hygrothermostat 0-60°C 20-90%RH	ETUH22.AA0
Hygrostat 10-90%RH	MUH



Specifications, values and drawings are subject to change without notice.

TMX

FAN ASSISTED PTC HEATERS

Super compact and light weight fan assisted heaters. Self-regulating PTC element. Touch safe. Spring terminal.

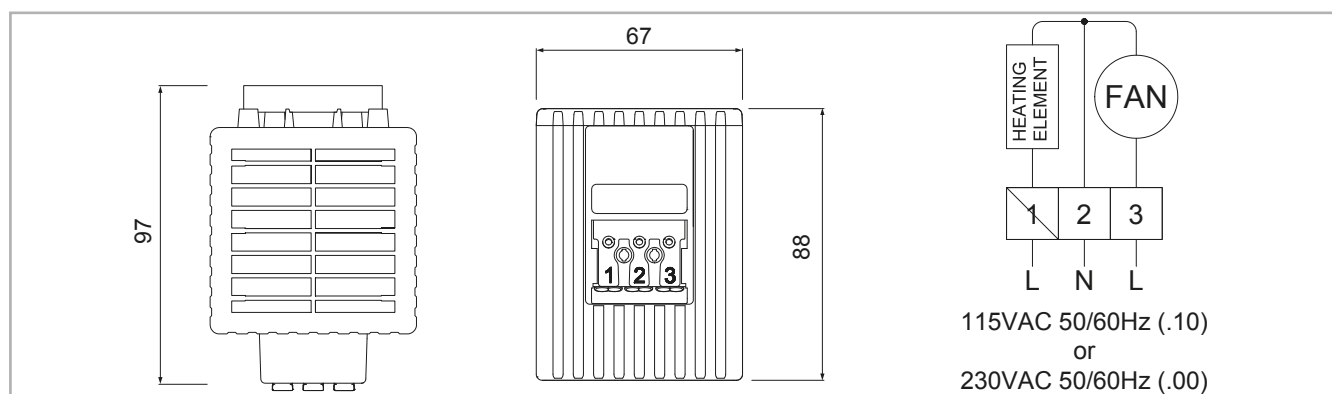


FEATURES	Unit	TMX150.00	TMX250.00	TMX300.00	TMX400.00	TMX500.00	TMX600.00
Heating elements type	-	PTC Radiator					
Power supply	V Hz	230 50/60	230 50/60	230 50/60	230 50/60	230 50/60	230 50/60
Delayed fuse (advised)	A	6.3	6.3	6.3	6.3	10	10
		TMX150.10	TMX250.10	TMX300.10	TMX400.10	TMX500.10	TMX600.10
Power supply	V Hz	115 50/60	115 50/60	115 50/60	115 50/60	115 50/60	115 50/60
Delayed fuse (advised)	A	10	10	10	10	16	16
Heating capacity*	W	150	250	300	400	500	600
Heating elements type	-	PTC Radiator					
Electrical connection	-	Spring terminals					
Protection class	-	Class II					
Protection degree EN60529	-	IP20					
Operating temperature	°C (°F)	-40 / +70 (-40 / +158)					
Storage temperature	°C (°F)	-40 / +70 (-40 / +158)					
Axial fan	-	Ball bearing, service life 50.000 hrs at 25°C (77°F), Air flow rate 45m ³ /h, free blow					
Mounting	-	Clip for mounting on DIN rail 35 mm EN50022					
Installation position	-	Best efficiency in vertical position					
Dimensions HxWxD	mm	88x67x97					
Weight (with packaging)	Kg	0.36 (0.4)					
Conformity/Certifications	-	CE -UL c us File n. E301228					

*at 10°C (50°F) ambient temperature

Accessories

Thermostat NC 0-60°C	THR2
Double thermostat NC 0-60°C NO 0-60°	THR22
Hygrothermostat 0-60°C 20-90%RH	ETUH22.AA0
Hygrostat 10-90 %RH	MUH



Specifications, values and drawings are subject to change without notice.

TMX 24VDC

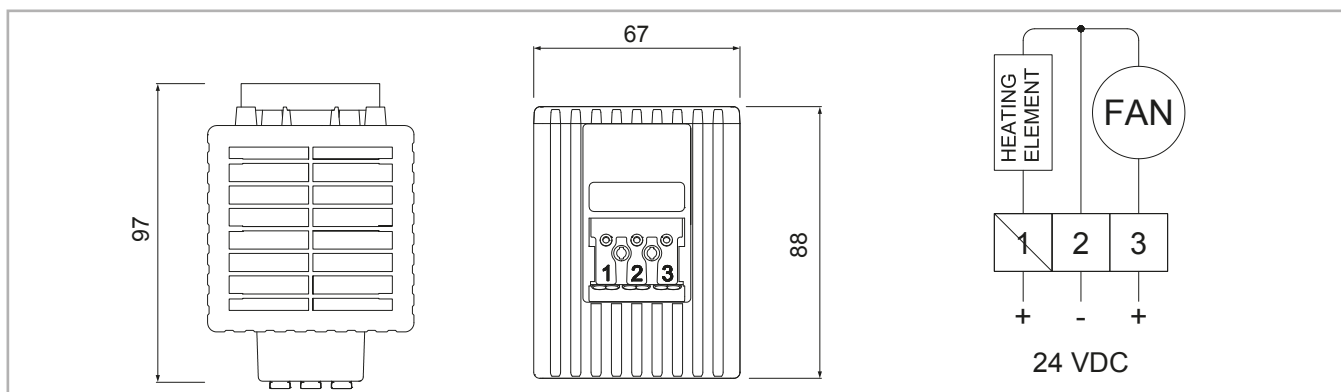
FAN ASSISTED PTC HEATERS

Super compact and light weight fan assisted heater, 24VDC for use in auxiliary and control circuits, where only low voltage power supply is available. Self-regulating PTC element. Touch safe. Spring terminal.



FEATURES	Unit	TMX200.240
Heating Capacity*	W	200
Power supply	V	24VDC
Heating elements type	-	PTC Radiator
Electrical connections	-	Spring terminals for stranded or rigid wire 2.5 mm ²
Protection class	-	Class II
Protection degree EN60529	-	IP20
Operating temperature	°C (°F)	-40 / +70 (-40 / +158)
Storage temperature	°C (°F)	-40 / +70 (-40 / +158)
Axial fan	-	Ball bearing, service life 50.000 hrs at 25°C (77°F), Air flow rate 33m ³ /h, free blow
Mounting	-	Clip for mounting on DIN rail 35 mm EN 50022
Installation position	-	Best efficiency in vertical position
Dimensions HxWxD	mm	88x67x97
Weight (with packaging)	Kg	0.36 (0.40)
Conformity/Certification	-	CE

*at 10°C (50°F) ambient temperature



Specifications, values and drawings are subject to change without notice.

TMC

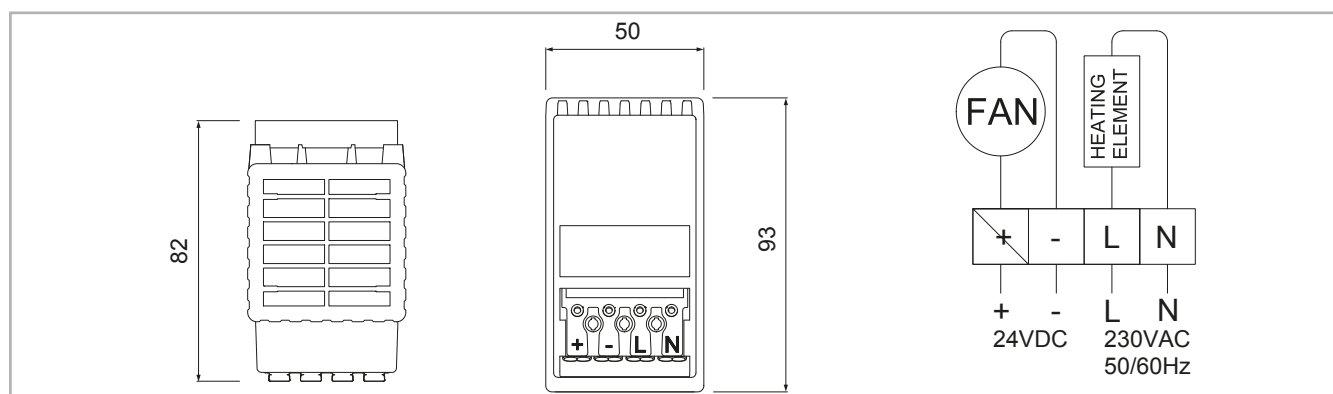
FAN ASSISTED PTC HEATERS

Super compact and light weight fan assisted heaters. Self-regulating PTC element. Touch safe. Spring terminal.



FEATURES	Unit	TMC200.700	TMC350.700
Heating Capacity*	W	200	350
Power supply	V	Heater 230VAC – Fan 24VDC	
Delayed fuse (advised)	A	6.3	6.3
Heating element	-	PTC radiator	
Electrical connection	-	Spring terminals	
Protection class	-	Class II	
Protection degree EN60529	-	IP20	
Operating temperature	°C (°F)	-40 / +70 (-40 / +158)	
Storage temperature	°C (°F)	-40 / +70 (-40 / +158)	
Axial fan	m ³ /h	Air flow rate 40m ³ /h, free blow	
Mounting	-	Clip for mounting on DIN rail 35 mm EN50022	
Installation position	-	Best efficiency in vertical position	
Dimensions HxWxD	mm	93x50x82	
Weight (with packaging)	Kg	0.26 (0.30)	
Conformity/Certifications	-	CE	

* at 10°C (50°F) ambient temperature



AEL-CAT-EN-24-00

Specifications, values and drawings are subject to change without notice.



FSHT

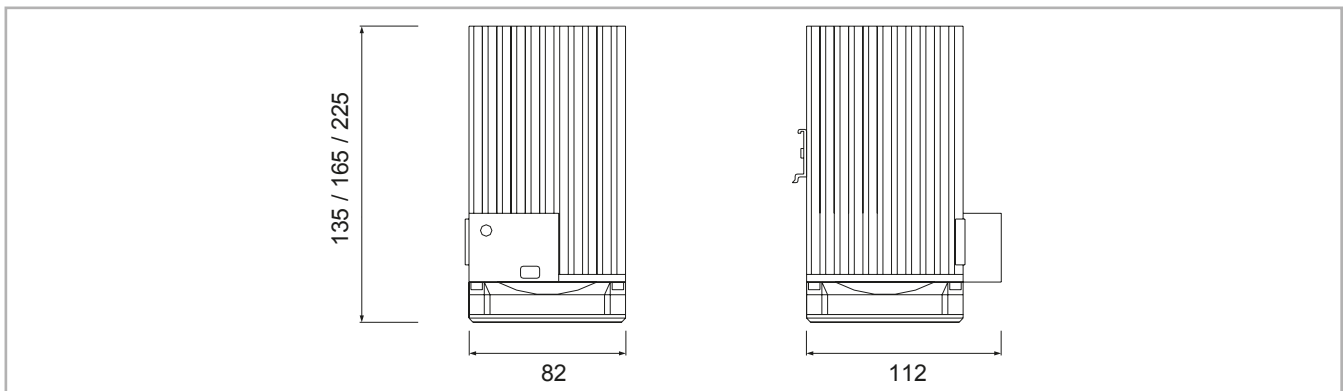
FAN ASSISTED, RESISTOR HEATERS



FEATURES	Unit	FSHT250	FSHT251	FSHT400	FSHT401	FSHT500	FSHT501	FSHT750	FSHT751
Heating Capacity	W	250	250	400	400	500	500	750	750
Power supply	V Hz	230 50/60	115 50/60	230 50/60	115 50/60	230 50/60	115 50/60	230 50/60	115 50/60
Max. current	A	1.2	2.4	1.9	3.8	2.4	4.8	3.6	7.2
Heating element type	-	Resistor							
Thermal protection	-	Thermal cut out fuse in case of fan failure							
Radiator	-	Extruded aluminium profile, anodized							
Axial fan	-	Ball bearing, service life 50.000 hrs at 25°C (77°F)							
		air flow rate 35 m ³ /h, free flow						air flow rate 44 m ³ /h, free flow	
Signalling		Green LED power ON							
Electrical connections	-	3 screw terminals for stranded or rigid wire 2.5 mm ²							
Protection class	-	Class I, earthed							
Protection degree EN60529	-	IP20							
Operating temperature	°C (°F)	-25 / +70 (-13 / +158)							
Storage temperature	°C (°F)	-45 / +80 (-49 / +176)							
Mounting	-	Clip for mounting on DIN rail 35 mm EN50022							
Installation position	-	Best efficiency in vertical position							
Dimensions HxWxD	mm	135x82x112	135x82x112	165x82x112	165x82x112	165x82x112	165x82x112	225x82x112	225x82x112
Weight (with packaging)	kg	0.88 (0.94)	0.88 (0.94)	0.97 (1.04)	0.97 (1.04)	0.97 (1.04)	0.97 (1.04)	1.35 (1.42)	1.35 (1.42)
Conformity/Certifications	-	CE - UL File n. E301228							

Accessories

Thermostat NC 0-60°C	THR2
Double thermostat NC 0-60°C NO 0-60°	THR22
Hygrothermostat 0-60°C 20-90%RH	ETUH22.AA0
Hygrostat 10-90%RH	MUH



Specifications, values and drawings are subject to change without notice.

FPH FAN ASSISTED PTC HEATERS



FEATURES	Unit	FPH1200	FPH1201	FPH1500	FPH1501
Heating Capacity*	W	1200		1500	
Power supply	V Hz	230 50/60	115 50/60	230 50/60	115 50/60
Heating element type	-	PTC Radiator			
Thermal protection	-	Thermal cut out in case of fan failure (auto-reset for 100,000 cycles)			
Casing	-	Plastic according to UL94 V-0, black			
Axial fan	-	Ball bearing, service life 50 000 hrs at 25°C (77°F), air flow rate 160 m³/h, free flow			
Control operation	-	optional	-	optional	-
Electrical connections	-	3 screw terminals for stranded or rigid wire 2.5 mm²			
Alarm output	-	optional	-	optional	-
Protection class	-	Class I, earthed			
Protection degree EN60529	-	IP20			
Operating temperature	°C (°F)	-40 / +70 (-40 / +158)			
Storage temperature	°C (°F)	-45 / +80 (-49 / +176)			
Mounting	-	Screw fixing (M4)			
Installation position	-	Best efficiency in vertical position			
Dimensions HxDxW	mm	95x160x120			
Weight (with packaging)	Kg	1.20 (1.27)			
Conformity/Certification	-	CE			

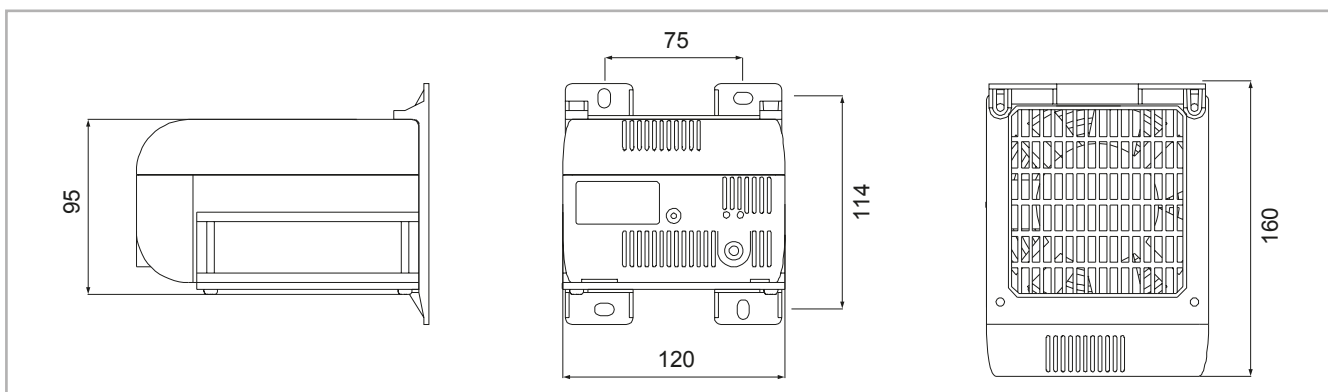
*at 10°C (50°F) ambient temperature

Versions

without integrated bimetallic thermostat	FPH1200.00	FPH1201.00	FPH1500.00	FPH1501.00
with integrated bimetallic thermostat	FPH1200.01	-	FPH1500.01	-
with integrated electronic controller	FPH1200.02	-	FPH1500.02	-

Function of electronic controller (only for version.02)

1. electronic temperature control
2. green LED ON for proper operation, red LED ON for malfunction
3. 2 screw terminals for alarm signal 5-30V DC / 0,5A



Specifications, values and drawings are subject to change without notice.

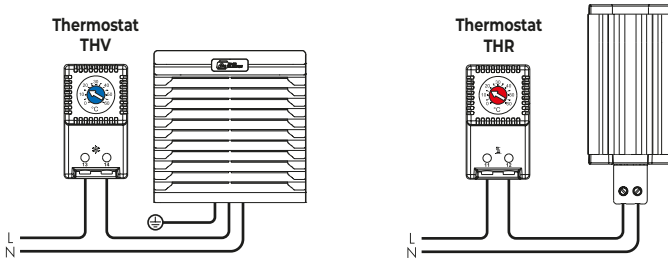


THV - THR

THERMOSTATS

Compact Thermostat for DIN 35 mm rail mounting. Based on bimetallic junction, provides high capacity NO or NC contact. Two versions available.

THVx	NO Contact		Typically used for controlling ventilation devices
THRx	NC Contact		Typically used for controlling heaters

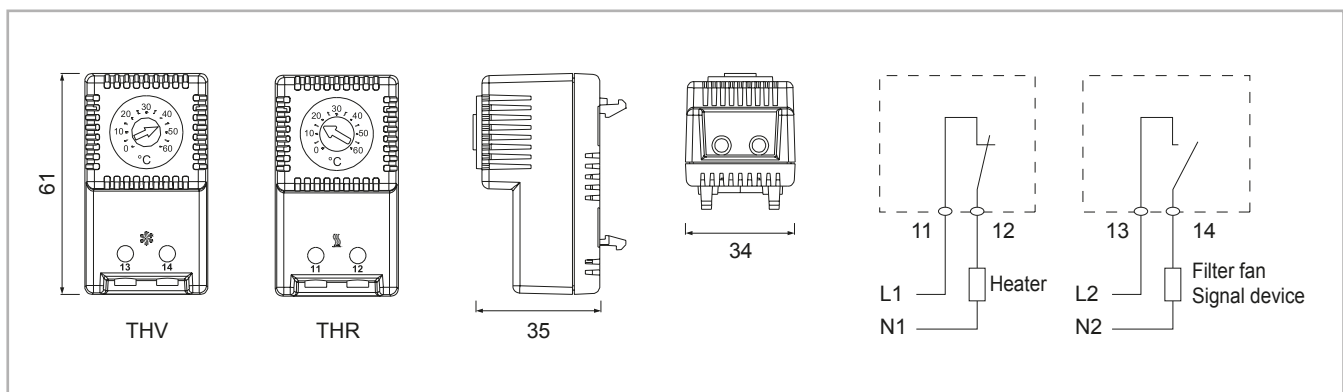


FEATURES	Unit	THR1	THR2	THR3	THV1	THV2	THV3
Contact function	-	NC	NC	NC	NO	NO	NO
Temperature setting range	°C	-10 / +50	0 / +60	+20 / +80	-10 / +50	0 / +60	+20 / +80
Precision	°C	±4					
Hysteresis	°C	7					
Max switching current							
250Vac resistive load (inductive load)	A	10 (1.6)					
125Vac resistive load (inductive load)	A	15 (2.5)					
Max. switching power in Vdc	W	30					
Temperature sensor type	-	Thermostatic bimetal					
Contact type	-	Snap action					
Contact resistance	mOhm	< 10					
Service life	cycles	> 100 000					
Electrical connections	-	2-pole terminal for 2.5 mm ² wire					
Casing	-	PA6, UL94 V0 self-extinguishing, light grey RAL 7035					
Protection degree EN60529	-	IP20					
Operating temperature	°C (°F)	-25 / +80 (-13 / +176)					
Storage temperature	°C (°F)	-45 / +80 (-49 / +176)					
Mounting	-	Clip for mounting on DIN rail 35 mm EN50022					
Installation position	-	Variable					
Conformity/Certifications	-	CE-UL us File n. E348803					
Dimensions HxWxD	mm	61x34x35					
Weight (with packaging)	kg	0.048 (0.055)					

Accessories

DIN rail bracket

GUIDADINPL



Specifications, values and drawings are subject to change without notice.

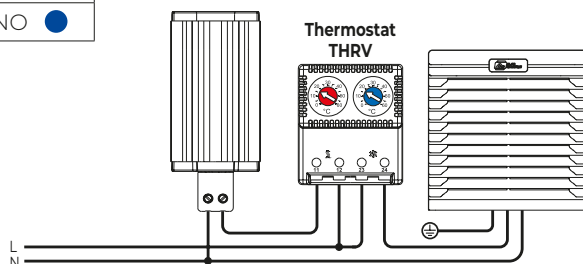


THR - THVV

DOUBLE-THERMOSTATS

Compact double thermostat for DIN 35 mm rail mounting. Based on bimetallic junction, provide high capacity and separated NO and NC contacts in different combinations. Three versions available.

THRVI3	NC	●	NO	●
THR22	NC	●	NO	●
THVV22	NO	●	NO	●

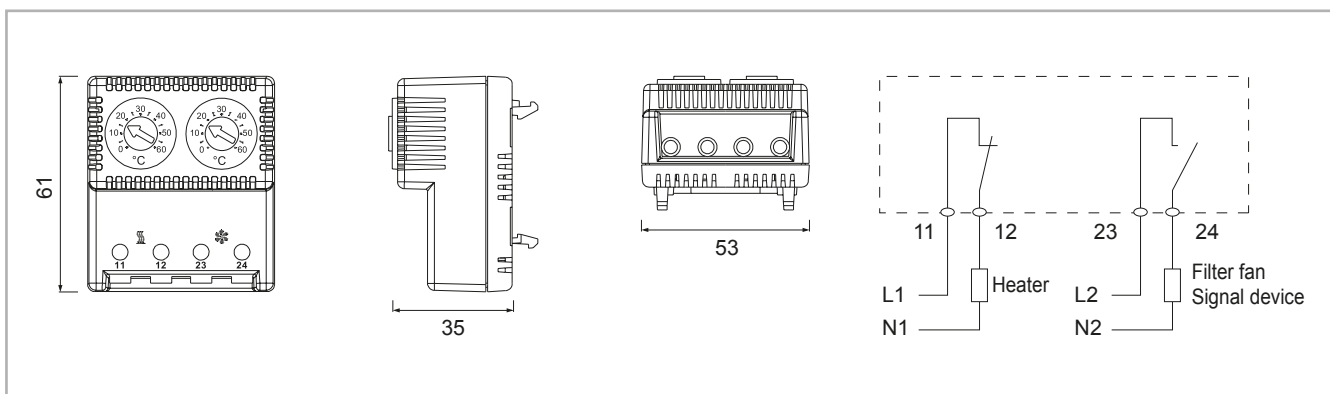


FEATURES	Unit	THRVI3		THR22		THVV22	
		NC	NO	NC	NO	NO	NO
Contact function	-	NC	NO	NC	NO	NO	NO
Temperature setting range	°C	-10 / +50	+20 / +80	0 / +60	0 / +60	0 / +60	0 / +60
Precision	°C	±4					
Hysteresis	°C	7					
Max switching current							
250Vac resistive load (inductive load)	A	10 (1.6)					
125Vac resistive load (inductive load)	A	15 (2.5)					
Max. switching power in Vdc	W	30					
Temperature sensor type	-	Thermostatic bimetal					
Contact type	-	Snap action					
Contact resistance	mOhm	< 10					
Service life	cycles	> 100 000					
Electrical connections	-	2-pole terminal for 2.5 mm ² wire					
Casing	-	PA6, UL94 V0 self-extinguishing, light grey RAL 7035					
Protection degree EN60529	-	IP20					
Operating temperature	°C (°F)	-25 / +80 (-13 / +176)					
Storage temperature	°C (°F)	-45 / +80 (-49 / +176)					
Mounting	-	Clip for mounting on DIN rail 35 mm EN50022					
Installation position	-	Variable					
Conformity/Certifications	-	CE-UL c us File n. E348803					
Dimensions HxWxD	mm	61x53x35					
Weight (with packaging)	kg	0.080 (0.09)					

Accessories

DIN rail bracket

GUIDADINPL

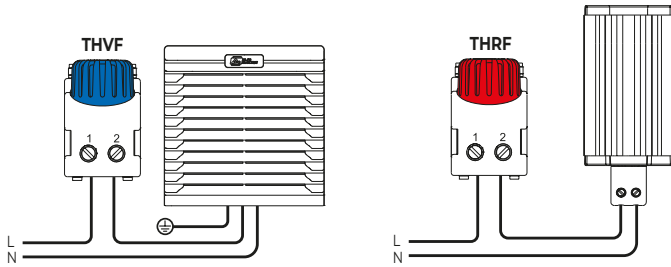


Specifications, values and drawings are subject to change without notice.

THRF - THVF

BIMETALLIC THERMOSTAT FIXED SET

Fixed set point compact thermostat for DIN 35 mm rail mounting. Based on bimetallic junction, provides high capacity NO or NC contact. Two versions available.

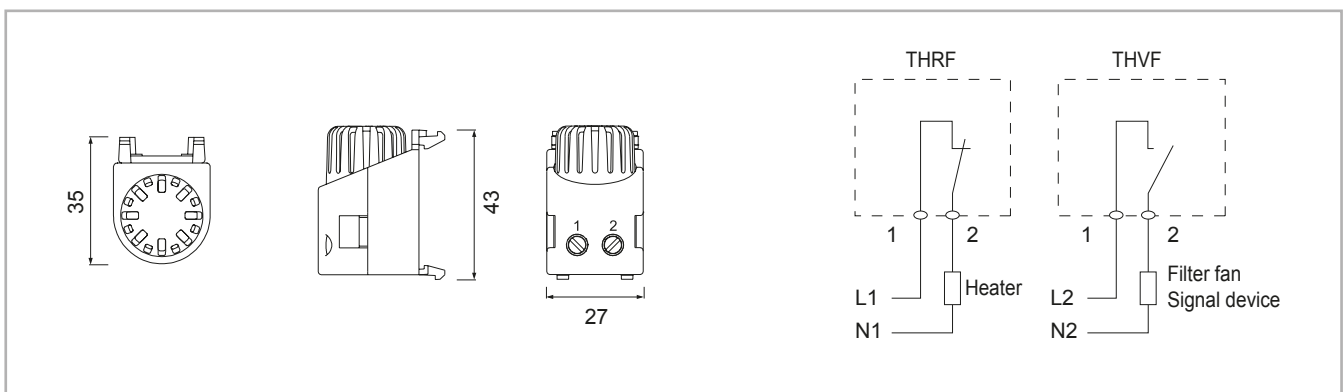


FEATURES	Unit	THRF05	THVF35	THVF50
Contact function	-	NC	NO	NO
Temperature set (hysteresis)	°C	+5 (10)	+35 (10)	+50 (10)
Precision	°C		±4	
Max switching current				
240Vac resistive load (inductive load)	A		5 (1.6)	
120Vac resistive load (inductive load)	A		10 (2.0)	
Max. switching power in Vdc	W		30	
Temperature sensor type	-		Thermostatic bimetal	
Contact type	-		Snap action	
Contact resistance	mOhm		< 10	
Service life	cycles		> 100.000	
Electrical connections	-		2-pole terminal for 2.5 mm ² wire	
Casing	-		PA6, UL94 V0 self-extinguishing, light grey RAL 7035	
Protection degree EN60529	-		IP20	
Operating temperature	°C (°F)		-40 / +80 (-40 / +176)	
Storage temperature	°C (°F)		-45 / +80 (-49 / +176)	
Mounting	-		Clip for mounting on DIN rail 35 mm EN50022	
Installation position	-		Variable	
Conformity/Certifications	-		CE	
Dimensions HxWxD	mm		43x27x35	
Weight (with packaging)	kg		0.024 (0.056 - 2pcs x pack)	

Accessories

DIN rail bracket

GUIDADINPL



Specifications, values and drawings are subject to change without notice.



THS

THERMOSTAT CHANGE-OVER CONTACT WITH LOW HYSTERESIS

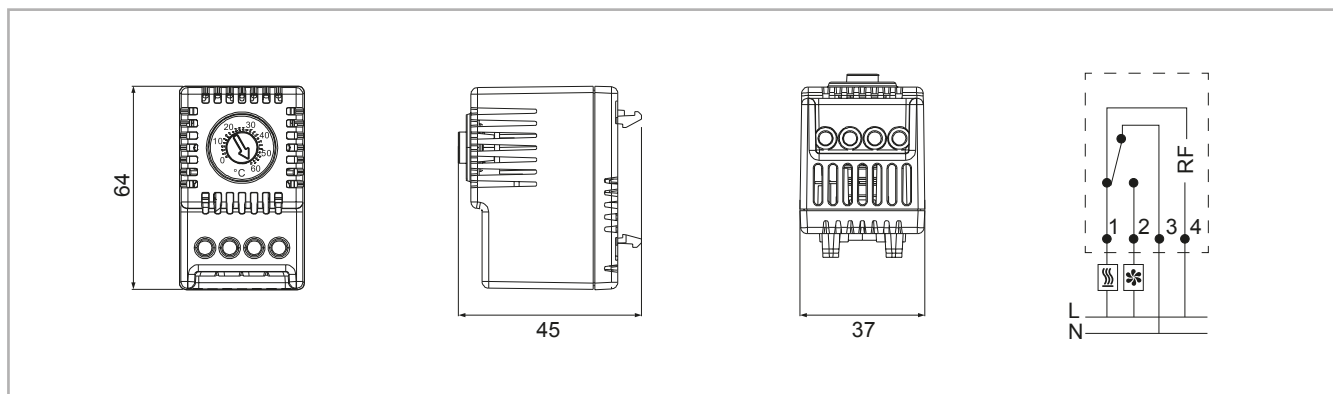


FEATURES	Unit	THS2
Contact function	-	Change over contact
Temperature setting range	°C	0 / +60
Precision	°C	±3
Hysteresis	°C	1
Max switching current		
NC 100-250VAC (inductive load cos phi 0.6)	A	10 (2)
NO 100-250VAC (inductive load cos phi 0.6)	A	5 (2)
Max. switching power in Vdc	W	30
Temperature sensor type	-	Thermostatic bimetal
Service life	cycles	> 100 000
Electrical connections	-	4-pole terminal for 2.5 mm ² wire
Casing	-	PA6, UL94 V0 self-extinguishing, light grey RAL 7035
Protection degree EN60529	-	IP20
Operating temperature	°C (°F)	-40 / +80 (-40 / +176)
Storage temperature	°C (°F)	-45 / +80 (-49 / +176)
Mounting	-	Clip for mounting on DIN rail 35 mm EN50022
Installation position	-	Variable
Conformity/Certifications	-	CE
Dimensions HxWxD	mm	64x37x45
Weight (with packaging)	kg	0.07 (0.08)

Accessories

DIN rail bracket

GUIDADINPL



Specifications, values and drawings are subject to change without notice.



ETUH THERMO-HYGROSTAT

Electronic Hygrothermostat for DIN 35 mm rail mounting.

Typically used to control enclosure heaters. The change over contact triggers either for high humidity or low temperature, independently set adjustable. LED display of power on and status. Wide voltage range from 20VDC up to 250VAC in a single model.

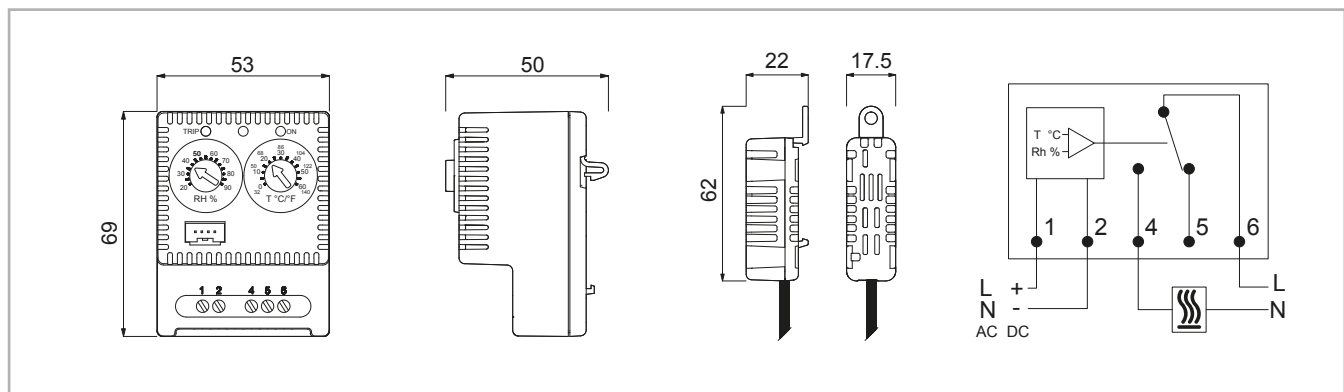
External probe available.



FEATURES	Unit	ETUH22.AA0
Power supply	V Hz	24-72 Vdc 24-250 50/60 Hz
Temperature setting range	°C (°F)	0 / +60°C (+32 / +140°F)
Rel. Humidity setting range	Rh%	20 / 90Rh%
Precision	-	±1K ±1%
Temperature Hysteresis	K	2
Relative Humidity Hysteresis	%	4
Max switching current		
NO at 250Vac resistive load	A	10
NO at 30Vdc resistive load	A	8
NO at 240Vac motor load	Hp	1/2
NO at 120Vac motor load	Hp	1/4
NC at 250Vac resistive load	A	10
NC at 30Vdc resistive load	A	8
Contact type		Change over
Contact resistance		< 10
Service life	cycles	> 100.000
Electrical connection	-	5-pole terminal for 2.5 mm ² wire
Optical signal	-	LED
Casing	-	PA6, UL94 V0 self-extinguishing, light grey RAL 7035
Protection degree EN60529	-	IP20
Operating	°C (°F)	0 / +60°C (+32 / +140°F)
Storage temperature	°C (°F)	-40 / 70 °C (-40 / +158°F)
Mounting	-	Clip for mounting on DIN rail 35 mm EN60715
Installation position	-	Vertical
Dimensions HxWxD	mm	69x53x39
Weight (with packaging)	kg	0.11 (0.12)
Conformity	-	CE, cULus UL File n. E348803

Accessories

External probe (2 mt cable)	TSH100.002
-----------------------------	------------



Specifications, values and drawings are subject to change without notice.



MUH

MECHANICAL HYGROSTAT

Hygrostat for DIN 35 mm rail mounting.
Typically used to control enclosure heaters.

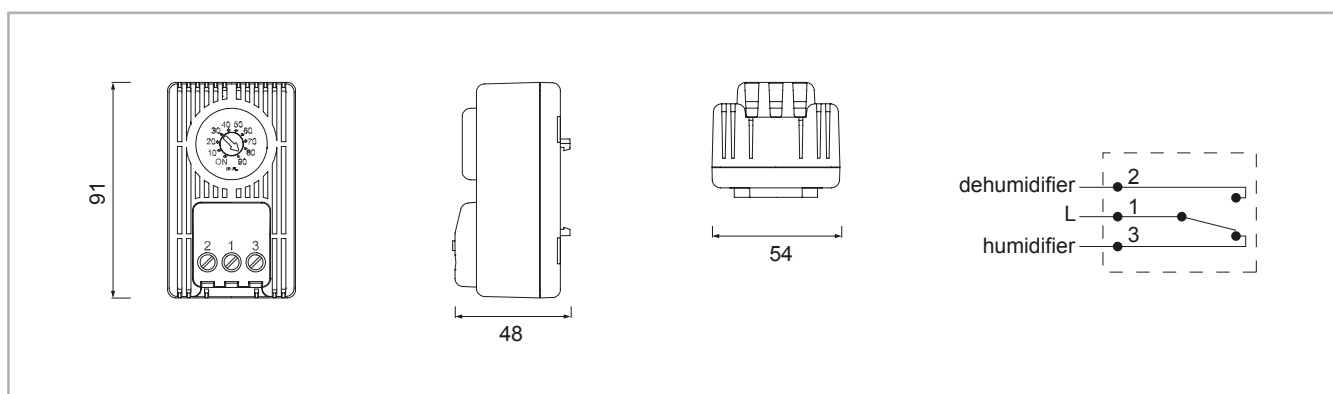


FEATURES	Unit	MUH
Relative Humidity setting range	RH%	20-90
Relative Humidity Hysteresis	RH%	5 (max 10)
Precision	RH%	±4
Max switching current		
NC at 240Vac resistive load	A	2.2
NC at 120Vac resistive load	A	4.4
NO at 240Vac resistive load	A	5
NO at 120Vac resistive load	A	10
Contact type	-	Change over
Electrical connection	-	3-pole terminal for 2.5 mm ² wire
Casing	-	PA6, UL94 V0 self-extinguishing, light grey RAL 7035
Protection degree EN60529	-	IP20
Operating temperature	°C (°F)	-10 / +50 (+14 / +122)
Storage temperature	°C (°F)	-40 / +70 (-49 / +176)
Mounting	-	Clip for mounting on DIN rail 35 mm EN50022
Installation position	-	Vertical
Conformity/Certifications	-	CE
Dimensions HxWxD	mm	91x54x48
Weight (with packaging)	kg	0.15 (0.17)

Accessories

DIN rail bracket

GUIDADINPL



Specifications, values and drawings are subject to change without notice.



FSC1

FAN SPEED CONTROLLER

Electronic temperature-regulated fan speed controller for DIN 35 mm rail mounting. Speed controller helps to reduce fan noise, air flow rate is reduced to the optimum speed required.

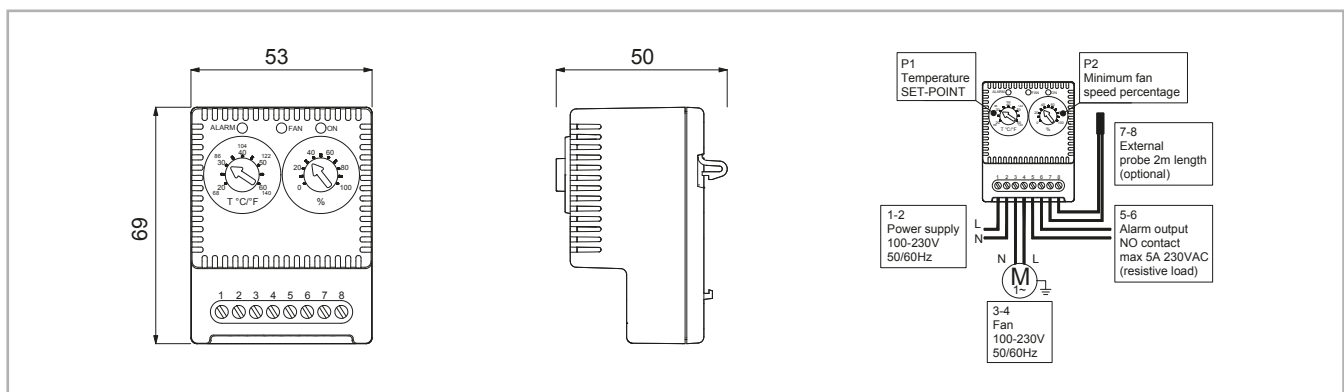


FEATURES	Unit	FSC1
Power supply	V Hz	100-230 50/60
Temperature setting range	°C (°F)	+20 / +60 (+68 / +140)
Fan speed setting range	%	0 - 100
Fan voltage rating	V Hz	100-230 50/60
Input	-	NTC sensor
Max. output fan	-	550W
Electrical connection	-	terminal for 2.5 mm ² wire
Optical signal	-	LED
Casing	-	PA6, UL94 V0 self-extinguishing, light grey RAL 7035
Protection degree EN60529	-	IP20
Operating / Storage temperature	°C (°F)	-10 / +60 (+14 / +140)
Mounting	-	Clip for mounting on DIN rail 35 mm EN50022
Installation position	-	vertical
Dimensions HxWxD	mm	69x53x50
Weight (with packaging)	Kg	0.11 (0.12)
Conformity/Certification	-	CE

Accessories

DIN rail bracket

GUIDADINPL

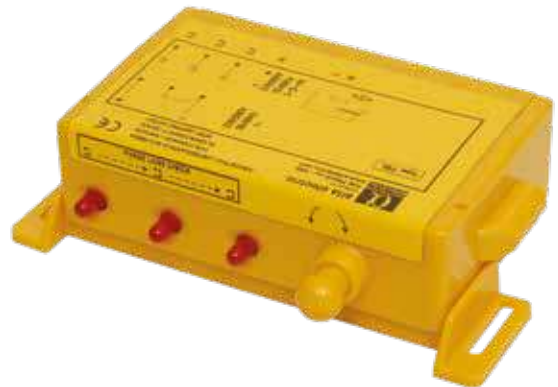


Specifications, values and drawings are subject to change without notice.

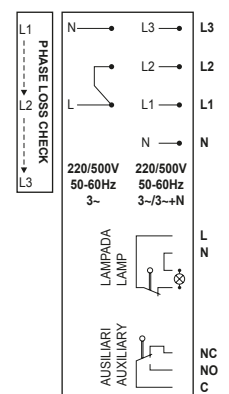
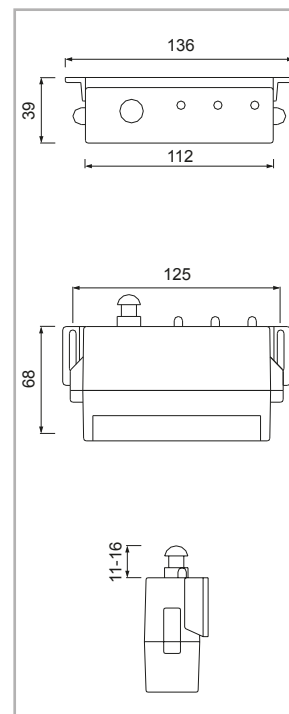
FS

FLASHING SAFETY DEVICE

The flashing safety devices series FS prevents accidents, alerting the operator that the electrical system is live. The FS devices are suitable for connection to three or single-phase lines. FS is also a phase-loss and phase-sequence control device: in case of failure, it points out the missing phase. The device functions can be increased with auxiliary contacts that allow to switch-on the lamp when opening the cabinet door or to control other equipment inside the cabinet (air conditioner, etc.)



FEATURES	Unit	FS	FSL	FSLA	
Power supply	V ph Hz	115-230 1	50/60 or 400 3	50/60	
FUNCTIONS	Power on, Phase sequence, Phase loss	Yes/No	Yes	Yes	Yes
	Signal	-	n° 3 LEDs, red	n° 3 LEDs, red	n° 3 LEDs, red
	Contact for lamp	Yes/No	No	Yes	Yes
	Contact type	-	-	NC	NC
	Max current	A	-	5	5
	Service life	Cycles	-	> 25.000	> 25.000
	Auxiliary Contact	Yes/No	No	No	Yes
	Contact type	-	-	-	Change over
	Max current	A	-	-	5
	Service life	Cycles	-	-	> 25.000
Probe extension	mm	Adjustable 11-16			
Casing	-	Poly-carbonate, Yellow			
Connection on terminals	mm ²	n. 6x4	n. 8x4	n. 11x4	
Mounting	-	Adjustable fixing bracket 125 mm interlock			
Protection degree EN60529	-	IP20			
Protection class	-	I			
Operating/Storage temperature	°C(°F)	-10 +70 (+14 / +158) / -20 +80 (-4 / +176)			
Installation position	-	Variable			
Dimensions HxWxD	mm	34x112x68 (+16)			
Weight (with packaging)	kg	0.15 (0.25)			
Package dimensions HxWxD	mm	46x145x88			
Conformity/Certifications	-	CE			



FIN

DOOR LIMIT SWITCH

FEATURES	Unit	FINCOR	FINRIP
Contacts type	-	Zb type snap action (INO+INC)	
Rated current at 230V(400V) AC15	A	3.1(1.9)	
Protection degree EN60529	-	IP65	
Protection Class	-	II	
Operating temperature	°C (°F)	-25 / +70 (-13 / +158)	
Rated insulation voltage Ui	V	690	
Service life	Cycles	> 25.000	
Cable inlet	-	PG13,5 cable gland	
Mechanical lock	Yes/No	No	Yes
Dimensions HxWxD	mm	75x31x31	91x31x39
Weight (with packaging)	kg	0.04 (0.10)	0.05 (0.11)
Conformity/Certifications	-	CE EN60947-5-1, IEC 947-5-1	



Required on most enclosures for safety and operation of auxiliary circuits, such as switching on lamps or switching off ventilation/air conditioning when the door is open. FIN Limit switches can be equipped with the optional bracket FINSTAFF for fixing and positioning.



LEDLAMP 32

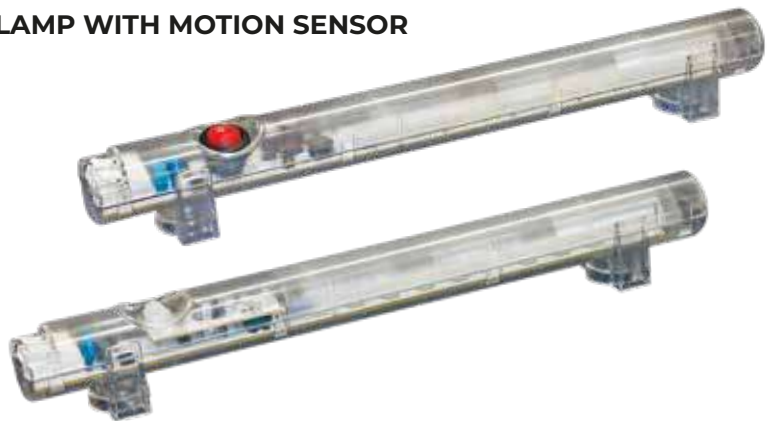
SLIM, HIGH EFFICIENCY ENCLOSURE LED LAMP WITH MOTION SENSOR

Wide voltage range from 20VDC up to 265VAC in a single model.

Spring terminal. More units can be connected together in a chain.

Fixing clips in each model permit to rotate the lamp according to lighting needs.

Magnet fixing or screw fixing. Motion sensor or switch ON/OFF available.



SPRING TERMINAL



MOTION SENSOR



CLIP FIXING WITH MAGNET OR SCREW

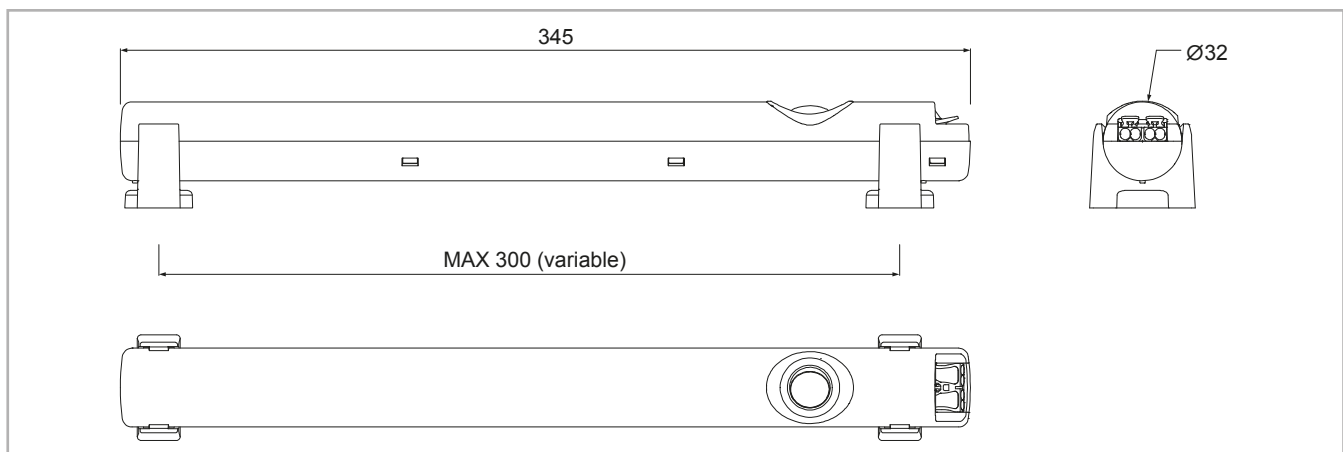


ORIENTABLE

FEATURES	Unit	LEDLAMP3200	LEDLAMP3201	LEDLAMP3210	LEDLAMP3211
Power supply	V Hz	20-60 VDC, 95-265 VAC 50/60 Hz			
Luminosity	Lm	650			
Lamp type	-	LED			
Power consumption	W	2,5			
Service life (@ 20°C)	hr	60 000			
Switch	-	on/off switch		Motion sensor*	
Electrical connection	-	2-poles spring terminals **			
Casing	-	Plastic			
Protection degree / Class	-	IP20 / Class II			
Operating temperature	°C (°F)	-30 / +60 (-22 / +140)			
Storage temperature	°C (°F)	-40 / +85 (-40 / +185)			
Mounting	-	screw fixing	magnet fixing	screw fixing	magnet fixing
Installation position	-	Variable			
Dimensions	mm	Ø32x345			
Weight (with packaging)	kg	0.155 (0.205)	0.175 (0.225)	0.155 (0.205)	0.175 (0.225)
Package dimensions	mm	415x50x43			
Conformity/Certifications	-	CE, File n° E301228			

* 5min switched on after last detection

** 0.5-2.5mm



Specifications, values and drawings are subject to change without notice.

LEDLAMP CP22

COMPACT, HIGH EFFICIENCY ENCLOSURE LED LAMP

Fitted with Schuko socket and switch, it can be mounted with clips on DIN rail, on a bracket (ALFASTAFF) with screws or with magnetic fixing. It fits exactly one 19" height/unit (44 mm).



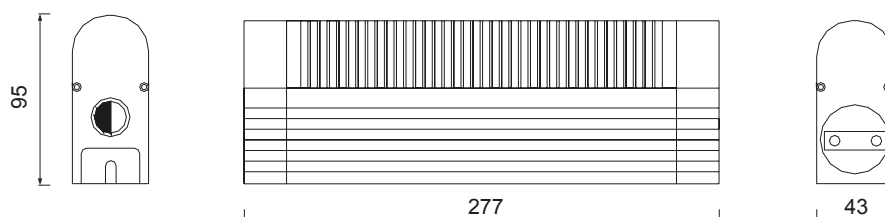
FEATURES	Unit	LEDLAMPCP22	LEDLAMPSP22
Power supply	V Hz	230 50/60	230 50/60
Schuko socket	-	Yes 6A	No
Luminosity	Lm	900	
Lamp type	-	LED	
Power consumption	W	6	
Service life	hrs	30000	
Switch	-	On/Off for the lamp only	
Connection	-	3-pole terminal for 1.5 mm ² wire	
Casing	-	Aluminium profile and ABS, UL94 V0, light grey	
Protection degree EN60529	-	IP20	
Protection class	-	Class I, earthed	
Operating temperature	°C(°F)	-20 / +50 (-4 / +122)	
Storage temperature	°C(°F)	-45 / +80 (-49 / +176)	
Mounting	-	Clip on DIN rail, magnet or bracket, see ordering code below	
Installation position	-	variable	
Dimensions HxWxD	mm	95x43x277	
Weight (with packaging)	kg	0.39 (0.47)	
Package dimensions HxWxD	mm	105x58x310	
Conformity/Certifications	-	CE	

Versions

Clip mounting on DIN rail	LEDLAMPCP22+CLIP	LEDLAMPSP22+CLIP
Magnet mounting	LEDLAMPCP22+MAGN	LEDLAMPSP22+MAGN
Bracket mounting	LEDLAMPCP22+STAF	LEDLAMPSP22+STAF

Accessories

Bracket for lamp	ALFASTAFF	ALFASTAFF
Magnet for lamp	ALFAMAGNETE	ALFAMAGNETE
Door limit switch without block	FINCOR	FINCOR
Door limit switch	FINRIP	FINRIP
Safety flashing device with lamp switch	FSL	FSL
Safety flashing device with lamp and auxiliary switches	FSLA	FSLA



Specifications, values and drawings are subject to change without notice.



LL4

SLIM ENCLOSURE LED LAMP

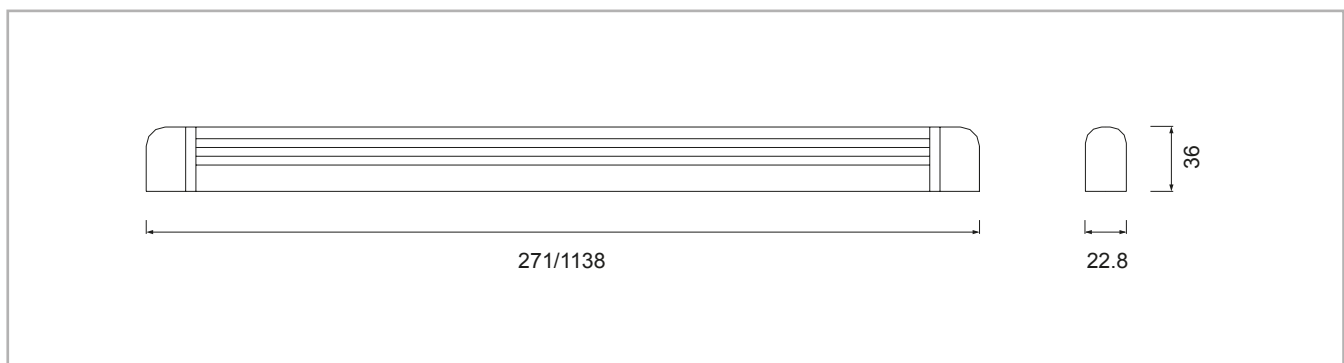
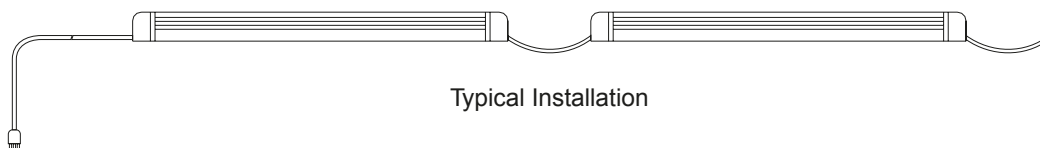
Slim and versatile led lamp. More units can be connected together in a chain up to a total power of 100W, by using the addition interconnection cable included in the packaging.



FEATURES	Unit	LL44 W 100-230V	LL49 W 100-230V	LL413 W 100-230V	LL418 W 100-230V
Power supply	V Hz	100-230/50	100-230/50	100-230/50	100-230/50
Luminosity		430	1000	1300	1800
Lamp type	-	LED			
Power consumption	W	4	9	13	18
Service life	hrs	10000			
Connection	-	Plug-in cable 1.5 m long inside the package			
Series of lamps	-	Possible with male/male extension cable, max 100W total series			
Casing	-	Plastic, white			
Protection degree/class	-	IP20/Class II			
Operating temperature	°C(°F)	-20 / +50 (-4 / +122)			
Storage temperature	°C(°F)	-45 / +80 (-49 / +176)			
Mounting	-	Screws, hidden behind the lamp			
Dimensions HxWxD	mm	277x22.8x36	538x22.8x36	838x22.8x36	1138x22.8x36
Weight	kg	0.1	0.16	0.24	0.33
Conformity/Certifications	-	CE			

Accessories

Door limit switch without block	FINCOR
Door limit switch	FINRIP
Safety flashing device with lamp switch	FSL
Safety flashing device with lamp and auxiliary switches	FSLA



Specifications, values and drawings are subject to change without notice.



ALFASOCKET

DIN RAIL SOCKET

For mounting on 35 mm DIN rail. Wire connections on terminals. It provides a power supply for electrical tools or instruments during installation, operation and maintenance. Available in four different national standards and in two basic versions: without and with limiting fuse 6.3A.



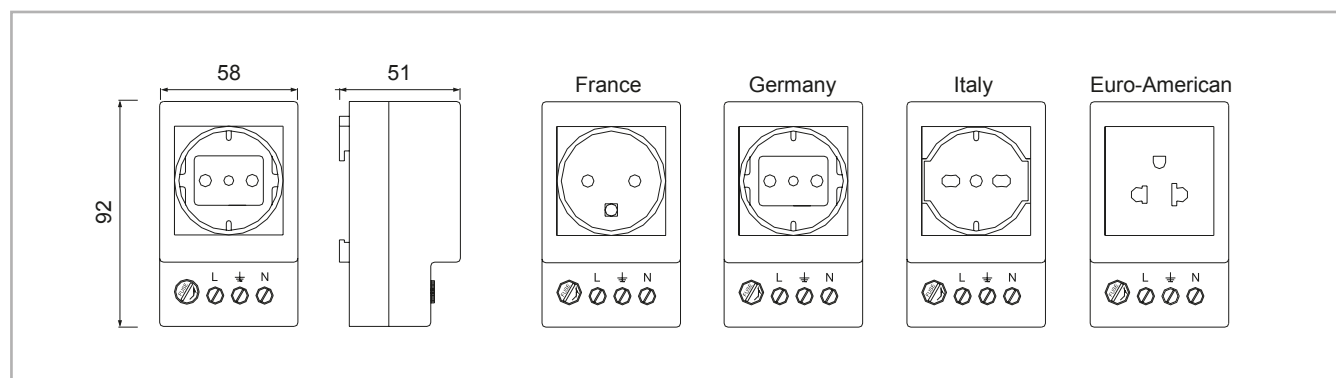
FEATURES	Unit	ALFASOCKET01	ALFASOCKET02	ALFASOCKET03	ALFASOCKET04
Standard	-	Germany	Italy	France	Euro-American
Voltage	V	250	250	250	125
Max. current	A	16	16	16	16
Electrical connection	-	3-pole terminal for 2.5 mm ² wire			
Casing	-	ABS, UL94 V0 self-extinguishing, light grey RAL 7035			
Protection Class	-	Class I			
Protection degree EN60529	-	IP20			
Operating temperature	°C (°F)	-25 / +60 (-13 / +140)			
Storage temperature	°C (°F)	-45 / +60 (-49 / +140)			
Mounting	-	Clip for mounting on DIN rail 35mm EN50022			
Dimensions HxWxD	mm	92x58x51			
Weight	kg	0.11			
Conformity/Certifications	-	CE			

Versions

With fuse 6.3A	ALFASOCKET01F	ALFASOCKET02F	ALFASOCKET03F	ALFASOCKET04F
----------------	---------------	---------------	---------------	---------------

Accessories

DIN rail bracket	GUIDADINPL
------------------	------------



AEL-CAT-EN-24-00

Specifications, values and drawings are subject to change without notice.



ALFAPRSCH

DIN RAIL SOCKET

Cost-effective Schuko socket for DIN rail mounting.

FEATURES	Unit	PRSCH01	PRSCH02	PRSCH03
Type	-	schuko	UK	Italian+schuko
Rated voltage, max	V	250	250	250
Maximum current	A	16	13	10/16
Dimensions HxWxD	mm	70x53x60	70x53x60	70x53x60
Weight	kg	0.04	0.04	0.04
Conformity	-	CE	CE	CE



ALFATASC

WIRING DIAGRAM HOLDER

Suitable for holding documents max. A4 format (297x210mm). Clean carefully the adhesive mounting surface and wait 12 h before loading.

FEATURES	Unit	ALFATASC
Material	-	ABS
Color	-	RAL 7035
Fixing	-	bi-adhesive tape or screws
Dimensions HxWxD	mm	264x235x35
Weight	kg	0.185
Conformity	-	CE



PRESSCOMP

PRESSURE EQUALIZER

Sealed enclosures when subject to external temperature fluctuations develops pressure differential toward the ambient. As a consequence entrance of dust and humidity is likely to happen through leakage points. Installing a PRESSCOMP prevents this risk while preserving a high protection degree for the enclosure.

FEATURES	Unit	PRESSCOMP
Material	-	ABS self-extinguishing RAL 7035
Protection degree	-	IP45
Fixing	-	screws with rubber gasket
Dimensions HxWxD	mm	70x50x21
Weight	kg	0.022
Conformity	-	CE



Specifications, values and drawings are subject to change without notice.



GUIDADINPL

FIXING DEVICE

A practical solution for mounting small devices or DIN 35 mm rail without the necessity of drilling holes on the cabinet. The double-sided adhesive band can bear a continuous load of 0,5 kg. Before fixing, clean carefully the mounting surface and wait at least 24 h before loading.



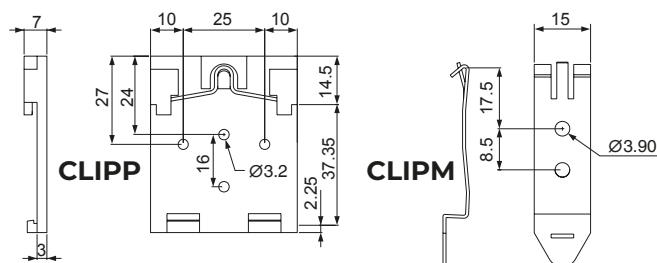
FEATURES	Unit	GUIDADINPL
Material	-	ABS self-extinguishing Black
Maximun load	kg	0.5
Application temperature	°C	<+10
Operating temperature	°C	-30 / +70
Mounting surfaces	-	all, except poly-ethylene, poly-propylene and rubber
Dimensions HxWxD	mm	42x36x11
Weight	kg	0.015
Conformity/Certifications	-	CE

CLIP

Practical solution to mount devices on 35mm DIN rail.
CLIP can be joined to the device by screw or rivet.



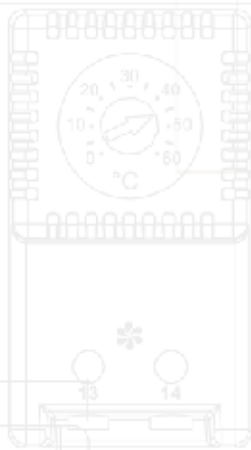
FEATURES	Unit	CLIPP	CLIPM
Material	-	Polycarbonate	Steel
Mounting (on device)	-	Rivet or screw	
Operating temperature	°C	100°	200°
Conformity/Certifications	-	CE	



282625

Contatto relè Out2

441



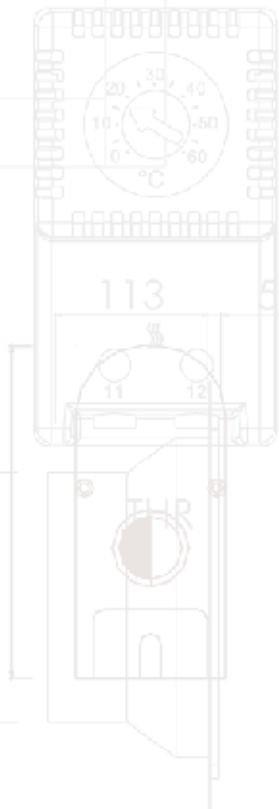
NIC

250

A1 A2
Montazione

THV

172



113 5.5

11 12

FLIP

170

321

280

104 5.5

35

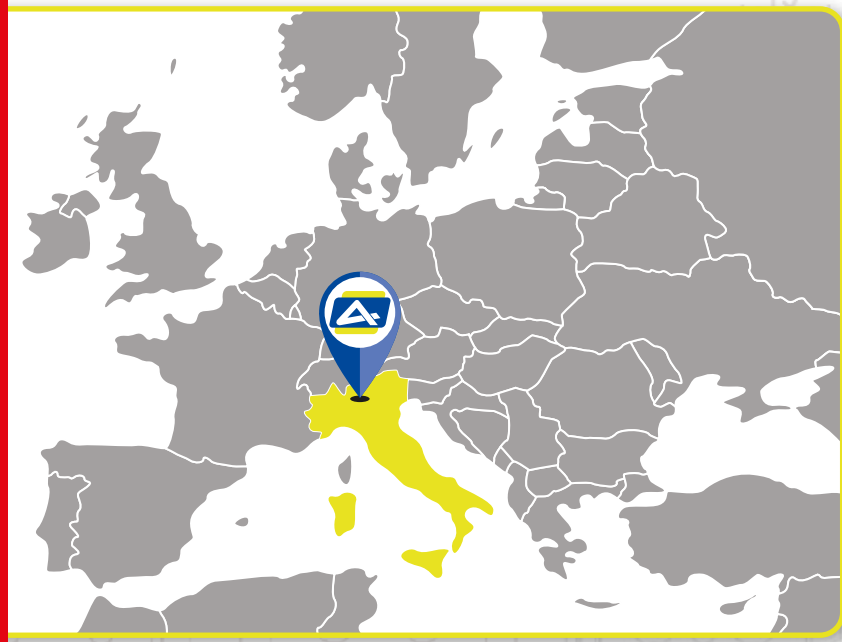
218

268

15

Ø3.90

AEL-CAT-EN-24.00



Division of:

ALFA PLASTIC s.a.s.

Via Della Valle, 39 - 20841 CARATE BRIANZA (MB) - ITALY

Tel. +39 (0362) 903.539 - Fax +39 (0362) 975.133

e-mail: info@alfaelectric.com - export@alfaelectric.com

www.alfaelectric.com

