



e cor  
STAINLESS STEEL

The versatile  
stainless steel box  
that fits your need

Release 1  
**2023**

e cor stainless steel

---

## INDEX

---

INTRODUCTION	Our history	4
	Business Sectors	6
E COR STAINLESS STEEL BOXES	Features and benefits	8
	Material	10
OUR SOLUTIONS	IP Protection degree	13
	How to compose the code	
	E COR X/H single blank door	14
	E COR X/H double blank door	16
	E COR X.P/H.P trasparente door	18
	E COR X.T/H.T with sloped roof	20
	E COR ATEX version	22
Accessories	26	

ecor stainless steel

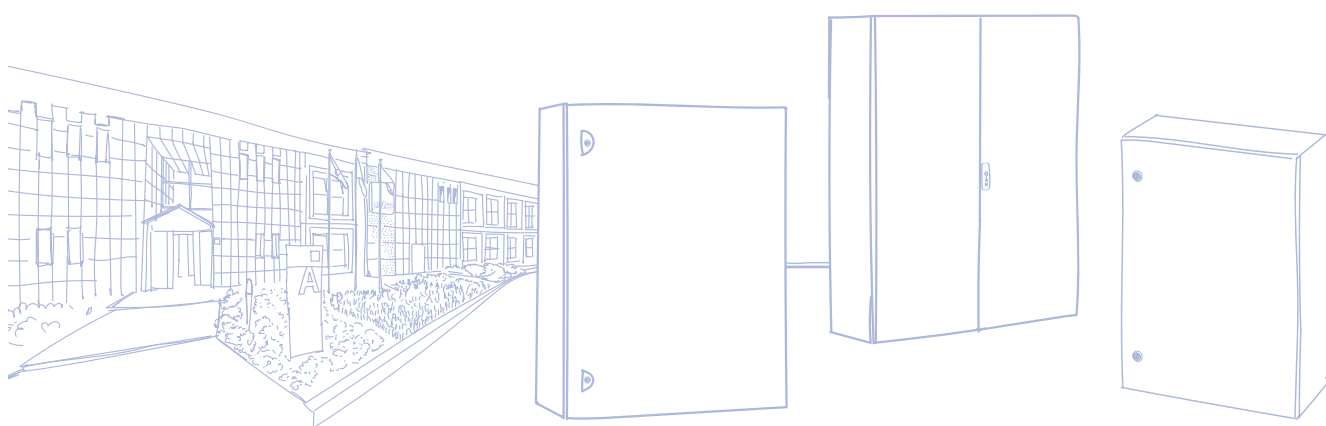


## E COR INOX, THE RESILIENT BOX REVOLUTION

Our mission has always been to create a resilient product that is highly performing, which guarantees a high protection of internal wiring and adapts to the multiple needs of the customer.

*why?*

ETA is  
History  
Family &  
Passion



the first  
sheet steel  
enclosure

**ST**

the first  
stainless steel  
enclosure

**STX**

## THE RESILIENT BOX

# 1978

### OUR HISTORY

Antonio Turati's heirs found ETA. Production work begins at the Castelmarte site.

1980

The first numerically controlled machine is used. AR9000 is conceived, a very successful cabinet.

1992

The new headquarters are built in Canzo.

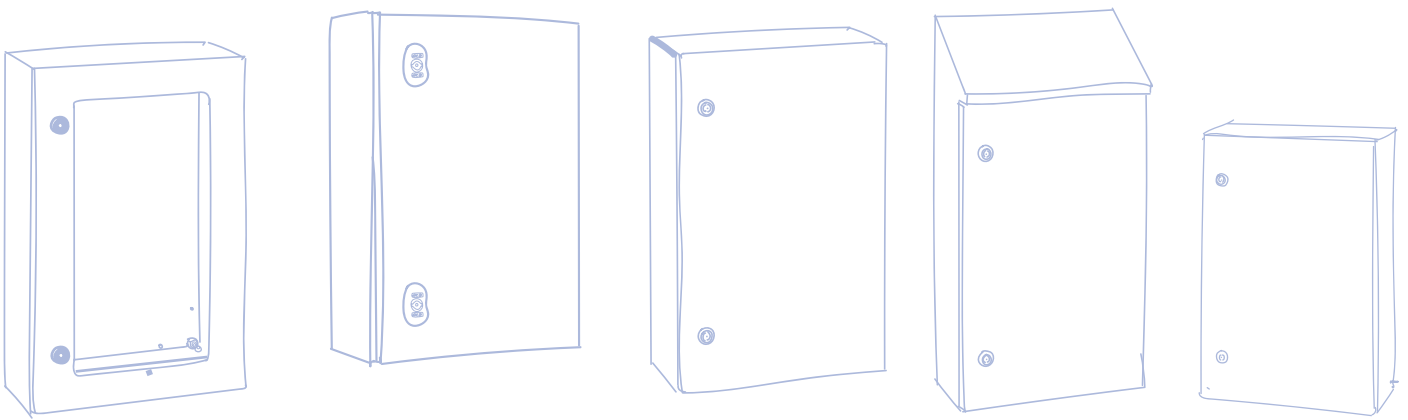
1999

Production of ARETA begins: The revolutionary concept of the modular cabinet

2011

E NUX is conceived: a construction system with avant-garde materials

Since 1978, E.T.A. SPA designs and manufactures high quality Enclosures for Industrial Automation, Harsh Environments, LV Energy Distribution and Information Technology. Our company's goal is to combine technological innovation with the experience acquired over the years, in order to offer the customer not simply a product, but a product solution.



new range  
to replace  
STX enclosures

**E COR**  
stainless steel

new range  
to replace  
ST enclosures

**E COR**  
Fe

range review to  
unify the  
ETA enclosures

**E COR**  
stainless steel

2023

2013

The ETA handle wins honourable mention for the Compasso d'Oro by ADI

2017

ETA NEXT, the R&D laboratory, is founded

2019

Calamus Interactive is introduced: the design software that connects the customer directly with production.

2020

The new ETA handle is designed

The boxes that unify the E COR stainless steel range to the E COR Fe. An easy to use product that allows to interchange the accessories between them.



- 1** E COR X/H blank door  
E COR X.P/H.P  
trasparent door  
E COR X.T/H.T  
with sloped roof

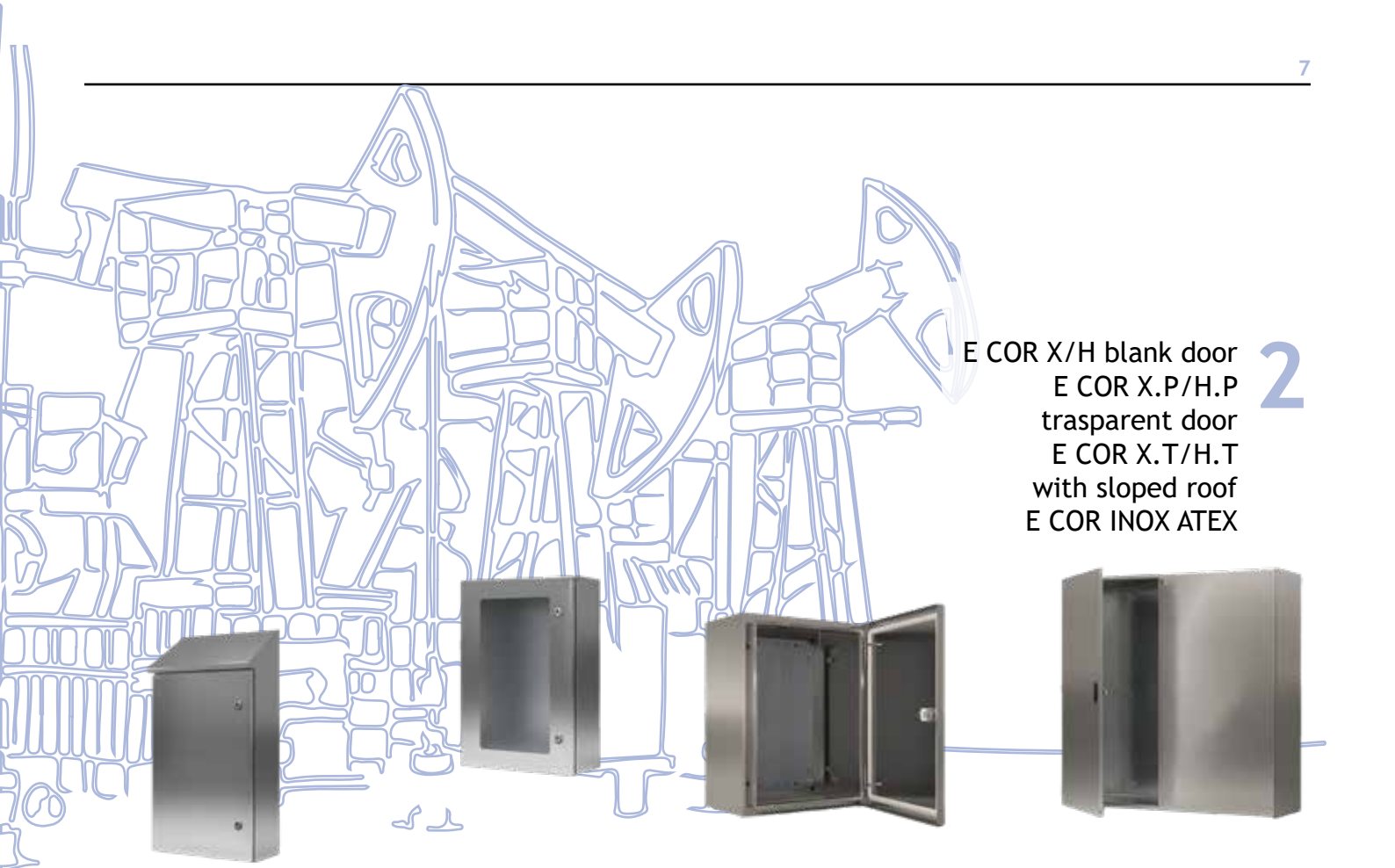
## BUSINESS SECTORS

The E COR stainless steel boxes are particularly performing in the following business sectors:

1. FOOD AND BEVERAGE
2. OIL AND GAS
3. CHEMICAL AND PETROLCHEMICAL
4. MARINE AND OFFSHORE

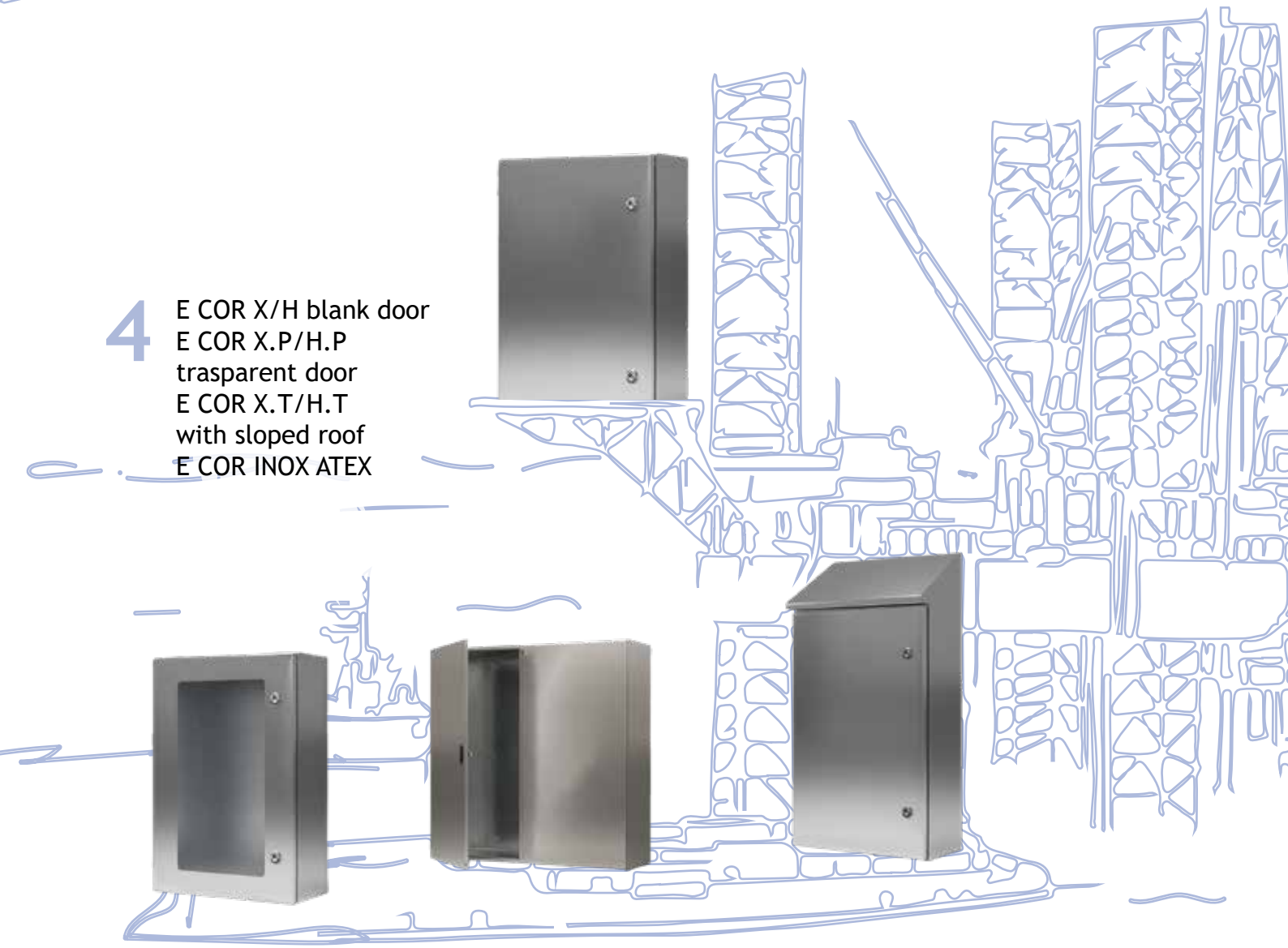
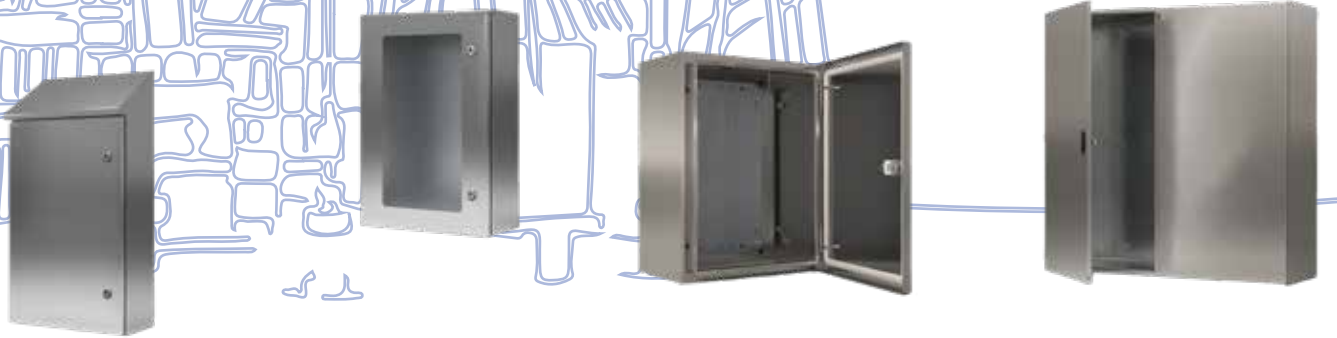
- 3** E COR X/H  
blank door  
E COR X.P/H.P  
transparent door  
E COR X.T/H.T  
with sloped roof





E COR X/H blank door  
E COR X.P/H.P  
trasparent door  
E COR X.T/H.T  
with sloped roof  
E COR INOX ATEX

2



4 E COR X/H blank door  
E COR X.P/H.P  
trasparent door  
E COR X.T/H.T  
with sloped roof  
E COR INOX ATEX



## FEATURES AND BENEFITS

Our stainless steel enclosures are the result of years of research and development by ETA NEXT.

Protective film to guarantee the highest quality of the product

Chromed zamak locking system, for greater reliability over time



Front door with formed corners for greater strenght of the structure



Reversible door, for greater flexibility of use

Standard and custom dimensions and design unification with E COR Fe enclosures: compatible accessories

### E COR X.P/H.P



Transparent glass door: internal wiring visible and the glass offers greater reliability in atmospheric conditions of different intensity

### E COR X.T/H.T



Protective rain canopy: suitable for outdoor installations where additional protection from atmospheric agents is required

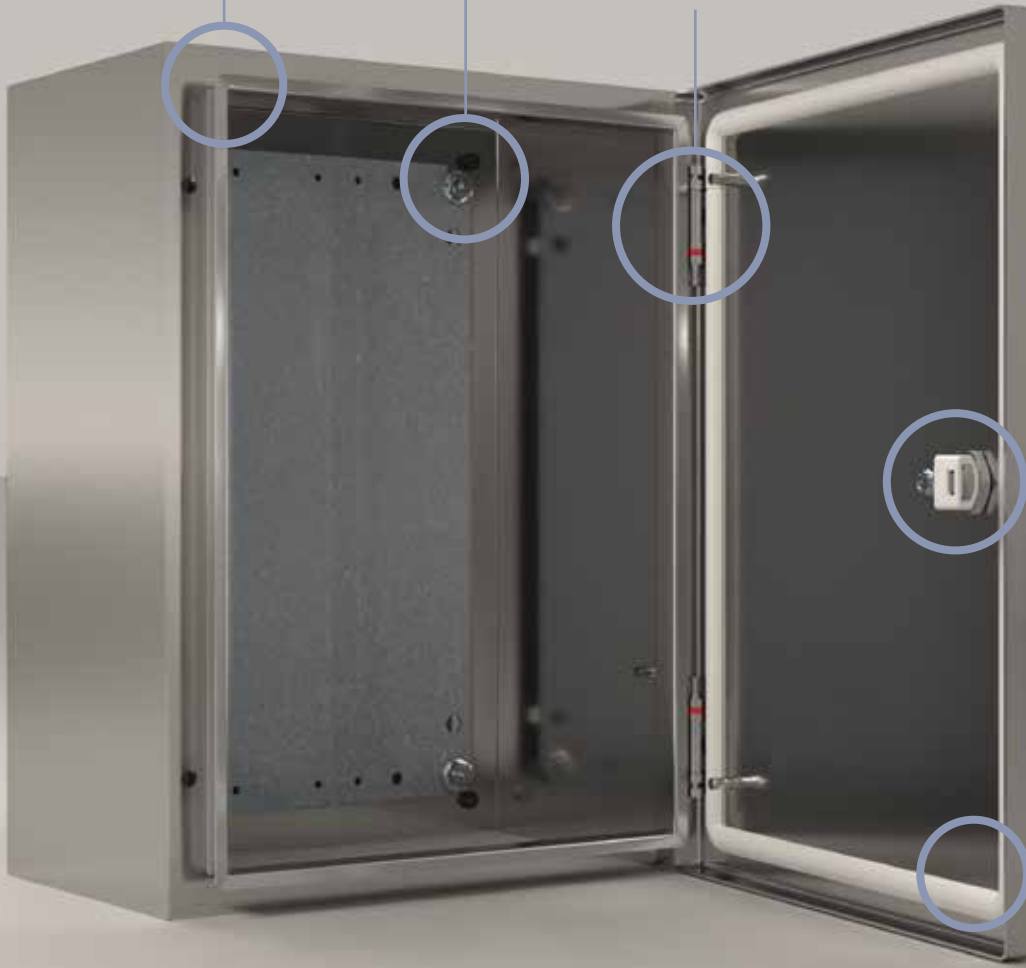


Structured fold concept for greater structural rigidity and minimisation of any damage to the silicone seal

Mounting plate with slots in the corners, to allow immediate fixing and simpler wiring

Hinges in AISI 316L, for greater resistance to corrosion. They allow easy assembly/disassembly of the door

IP66  
E COR X/H single door  
E COR X.T/H.T  
with sloped roof  
E COR X.P/H.P  
transparent glass door  
IP55  
E COR X/H double door  
E COR X.P/H.P  
transparent door  
NEMA 4X  
E COR X/H single door  
E COR X.T/H.T  
with sloped roof  
NEMA 12  
E COR X.P/H.P  
transparent glass door  
E COR X/H  
double door  
IK10  
all except  
E COR X.P/H.P  
transparent glass door



Plastic cap, which makes the closing system much more "fluid", preventing metal-on-metal rubbing

Two-component silicone foam gasket, non-reactive, stable and resistant to harsh environments and extreme temperature ranges

## E COR X/H



Locking system cover, differentiating element compared to other stainless steel enclosures

## E COR ATEX



External M6 x 15 mm stud welded on the enclosure to ensure the grounding of the enclosure



## MATERIAL

### AISI 304L

### AISI 316L

### STAINLESS STEEL

**AISI 304L:** it is the most common stainless steel. The chemical elements in the alloy react easily with the surrounding environment and the chromium forms a protective film able to counteract the corrosive attacks on the steel itself.

Composition: Chromium between 18% and 20% and Nickel between 8% and 11%.

**AISI 316L:** 316L stainless steel has excellent resistance to corrosion, in the atmosphere and in a large variety of salts, organic acids and food substances, better than other austenitic steels that do not contain Mo, towards halides and sea water. The substantial difference between 304L and 316L is the presence of molybdenum, an element which, together with nickel and chromium, is capable of forming alloys that are extremely resistant to heat and corrosion, with high breaking loads. Composition: Chromium between 16% and 18%, Nickel between 11% and 14% and Molybdenum between 2% and 3%.

Between the two materials, the mechanical test gave very similar results from the point of view of tensile strength and yield strength. The substantial difference that emerged concerns the level of hardness, understood as the “resistance

to permanent deformation”. A material with greater hardness is more difficult to deform; in other words corrodible.

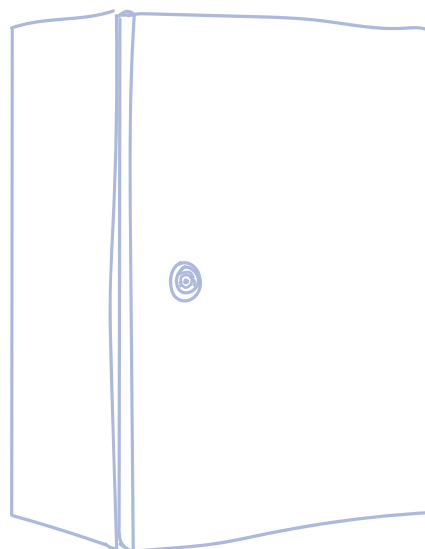
**AISI 304L:** the hardness test showed a result lower than 201 HBW

**AISI 316L:** the hardness test showed a result lower than 217 HBW

With the same mechanical characteristics, therefore, 316L has molybdenum as a chemical element which guarantees greater hardness and resistance to corrosion in all natural environments subject to aggressive agents. Furthermore, both materials have shown good resistance to tests carried out in salt spray:

**AISI 304L: 480H**

**AISI 316L: 720H**



high-Performing material

## OUR SOLUTIONS

**E COR X/H SINGLE BLANK DOOR**  
**E COR X/H DOUBLE BLANK DOOR**  
**E COR X.P/ H.P TRASPARENT GLASS DOOR**  
**E COR X.T/ H.T WITH SLOPED ROOF**  
**E COR STAINLESS STEEL ATEX COMPLIANT**

Our enclosures are certified as follows:



The CE mark certifies that the product complies with the requirements established by the European Union in terms of safety, health and environmental protection.



The UKCA (UK Conformity Assessment) is the new UK product mark that is required for the export of products to the market of England, Wales and Scotland.



EAC (EurAsian Community) is a certificate of conformity for Eurasia.



RoHS (European Directive 2011/65/EC) regulates the limitation to very low values of lead, mercury, cadmium, hexavalent chromium and other substances in the production of most of the electrical and electronic equipment marketed within the European Union.



TUV (Technical Control Association) is the IP certification



RINA is a mandatory certification in the case of products that must be installed in marine environments.



Electrical safety certification for the American and Canadian market.



ATEX 2014/34/UE Directive



Certifies the conformity of electrical appliances and components. to the requirements of CEI and EN standards

stainless steel enclosure



## IP PROTECTION DEGREE

The IP protection degree is guaranteed by the two-component silicone foam gasket and is essentially defined by two characteristic numbers

IP 1ST DIGIT SOLID	IP 2ND DIGIT LIQUID
<ul style="list-style-type: none"> <li>0 No protection</li> <li>1 Protection against solid bodies above 50mm</li> <li>2 Protection against solid bodies above 12mm</li> <li>3 Protection against solid bodies above 2,5mm</li> <li>4 Protection against solid bodies above 1mm</li> <li>5 Protection against dust</li> <li>6 Total tightness to dust</li> </ul>	<ul style="list-style-type: none"> <li>0 No protection</li> <li>1 Protection against vertically falling</li> <li>2 Protection against water drops falling with up to 15° inclination</li> <li>3 Protection against water drops falling with up to 60° inclination</li> <li>4 Protection against water splashes from all directions</li> <li>5 Protection against jets of water from all directions</li> <li>6 Protection against water splashes similar to sea waves</li> <li>7 Protection against immersion</li> <li>8 Protection against submersion</li> </ul>

## NEW STANDARD CODING SYSTEM

EC	02	03	15	X
E COR stainless steel product range	width	height	depth	product version
	<ul style="list-style-type: none"> <li>02 = 200 mm</li> <li>03 = 300 mm</li> <li>04 = 400 mm</li> <li>05 = 500 mm</li> <li>06 = 600 mm</li> <li>08 = 800 mm</li> <li>10 = 1000 mm</li> <li>12 = 1200 mm</li> </ul>	<ul style="list-style-type: none"> <li>03 = 300 mm</li> <li>04 = 400 mm</li> <li>05 = 500 mm</li> <li>06 = 600 mm</li> <li>07 = 700 mm</li> <li>08 = 800 mm</li> <li>10 = 100 mm</li> <li>12 = 120 mm</li> <li>14 = 140 mm</li> </ul>	<ul style="list-style-type: none"> <li>15 = 150 mm</li> <li>20 = 200 mm</li> <li>25 = 250 mm</li> <li>30 = 300 mm</li> </ul>	<ul style="list-style-type: none"> <li>X = AISI 304L st. steel with blank door</li> <li>H = AISI 316L st. steel with blank door</li> <li>X.P = AISI 304L st. steel with transparent door</li> <li>H.P = AISI 316L st. steel with transparent door</li> <li>X.T = AISI 304L st. steel with sloped roof</li> <li>H.T = AISI 316L st. steel with sloped roof</li> <li>EEX = AISI 304L st. steel ATEX compliant</li> <li>EEXH = AISI 316L st. steel ATEX compliant</li> </ul>



## E COR X/H ENCLOSURES WITH SINGLE BLANK DOOR



Wall- mounted enclosure with single blank door, manufactured from stainless sheet steel, with high resistance to harsh chemical and environmental agents.

### CHARACTERISTICS

Door with formed corners and enclosure manufactured from pre-satinized AISI 304L stainless steel sheet (AISI 316L on request). Mounting plate manufactured from sendzimir sheet steel with slots in the corners and hinges in stainless steel.

### MATERIAL THICKNESS

Enclosure and door: 1,5 mm  
Mounting plate.: 2,3mm

### SUPPLY

Box complete with:

- mounting plate
- door with locking system (chromed zamak with 3mm double tab insert, tab with anti-seize plastic cap) with key and silicone foam seal
- package with screws for earth connection and mounting plate

### PROTECTION DEGREE

- IP66 complying with EN62208; EN60529
- NEMA 4X complying with UL508A; UL50
- protection degree guaranteed by the two-component silicone foam seal
- impact resistance IK10 complying with EN62208; EN62262.

# IP66 NEMA 4X IK10

PRODUCT CODE	BOX DIMENSIONS				MOUNT. PLATE	
	W	H	D	LOCK/TYPE	W	H
EC030315X	300	300	150	1 BOX	250	250
EC030320X	300	300	200	1 BOX	250	250
EC030415X	300	400	150	1 BOX	250	350
EC030420X	300	400	200	1 BOX	250	350
EC040315X	400	300	150	1 BOX	350	250
EC040320X	400	300	200	1 BOX	350	250
EC040420X	400	400	200	1 BOX	350	350
EC040425X	400	400	250	1 BOX	350	350
EC040520X	400	500	200	1 BOX	350	450
EC040620X	400	600	200	2 BOX	350	550
EC040625X	400	600	250	2 BOX	350	550
EC050520X	500	500	200	1 BOX	450	450
EC050525X	500	500	250	1 BOX	450	450
EC050530X	500	500	300	1 BOX	450	450
EC050620X	500	600	200	2 BOX	450	550
EC050720X	500	700	200	2 BOX	450	650
EC050725X	500	700	250	2 BOX	450	650
EC060420X	600	400	200	1 BOX	550	350
EC060520X	600	500	200	1 BOX	550	450
EC060620X	600	600	200	2 BOX	550	550
EC060625X	600	600	250	2 BOX	550	550
EC060630X	600	600	300	2 BOX	550	550
EC060820X	600	800	200	2 BOX	550	750
EC060825X	600	800	250	2 BOX	550	750
EC060830X	600	800	300	2 BOX	550	750
EC061030X	600	1000	300	2 BOX	550	950
EC061230X	600	1200	300	SLOP	550	1150
EC080630X	800	600	300	2 BOX	750	550
EC080830X	800	800	300	2 BOX	750	750
EC081030X	800	1000	300	2 BOX	750	950
EC081230X	800	1200	300	ROD SYSTEM	750	1150
EC081430X	800	1400	300	ROD SYSTEM	750	1350

To order the steel version AISI 316L replace the suffix X with H in the code ( ex. EC020315H)

Other dimensions available on request





## E COR X/H ENCLOSURES WITH DOUBLE BLANK DOOR



Member of CISQ Federation  
RINA  
ISO 9001:2000  
Certified Quality System



Wall- mounted enclosure with double blank door, manufactured from stainless sheet steel, with high resistance to harsh chemical and environmental agents.

### CHARACTERISTICS

Enclosure manufactured from pre-satinized AISI 304L stainless steel sheet (AISI 316L on request).

Double Door with formed corners and silicone seal, with glass fixed with a frame.

Mounting plate manufactured from sendzimir sheet steel with slots in the corners and hinges in stainless steel.

### MATERIAL THICKNESS

Enclosure: from 1,2mm to 1,5mm,  
Door: 1.5mm

Mounting plate.: 2.0mm until dimension 300x400x200; 2.3 mm until dimension 800x1000x300

### SUPPLY

Box complete with:

- mounting plate
- door with locking system (chromed zamak with 3mm double tab insert, tab with anti-seize plastic cap) with key and silicone foam seal
- package with screws for earth connection and mounting plate

### PROTECTION DEGREE

- IP55 complying with EN62208; EN60529
- NEMA 12 complying with UL508A; UL50
- protection degree guaranteed by the two-component silicone foam seal
- impact resistance IK10 complying with EN62208; EN62262.



# IP 55 NEMA 12 IK10

PRODUCT CODE	BOX DIMENSIONS				MOUNT. PLATE	
	W	H	D	LOCK TYPE	W	H
EC100830X	1000	800	1300	2 BOX	950	750
EC101030X	1000	1000	300	ROD SYSTEM	950	950
EC101230X	1000	1200	300	ROD SYSTEM	950	1150
EC120830X	1200	800	300	2 BOX	1150	750
EC121230X	1200	1200	300	ROD SYSTEM	1150	1150

To order the steel version AISI 316L replace the suffix X with H in the code ( ex. EC100830H)

Other dimensions available on request





## E COR X.P/ H.P ENCLOSURE WITH TRANSPARENT DOOR



Member of CISQ Federation  
RINA  
ISO 9001:2000  
Certified Quality System



Wall- mounted enclosure with single glass door, manufactured from stainless sheet steel, with high resistance to harsh chemical and environmental agents.

### CHARACTERISTICS

Enclosure manufactured from pre-satinized AISI 304L stainless steel sheet (AISI 316L on request).  
Door with formed corners and silicone seal, with glass fixed with a frame.  
Mounting plate manufactured from sendzimir sheet steel with slots in the corners and hinges in stainless steel.

### MATERIAL THICKNESS

Enclosure and door: 1.5mm  
Mounting plate: 2.3 mm

### SUPPLY

Box complete with:

- mounting plate
- transparent glass door with locking system (chromed zamak with 3mm double tab insert, tab with anti-seize plastic cap) with key and silicone foam seal
- package with screws for earth connection and mounting plate

### PROTECTION DEGREE

- IP66 complying with EN62208; EN60529
- NEMA 4X complying with UL508A; UL50
- protection degree guaranteed by the two-component silicone foam seal

## IP 66 NEMA 4X

PRODUCT CODE	BOX DIMENSION				MOUNT. PLATE	
	W	H	D	LOCK/TYPE	W	H
EC030420X.P	300	400	200	1 BOX	250	350
EC040520X.P	400	500	200	1 BOX	350	450
EC040620X.P	400	600	200	2 BOX	350	550
EC050725X.P	500	700	250	2 BOX	450	650
EC060820X.P	600	800	200	2 BOX	550	750
EC060825X.P	600	800	250	2 BOX	550	750
EC081030X.P	800	1000	300	2 BOX	750	950

To order the steel version AISI 316L replace the suffix X with H in the code ( ex. EC03042H.P)

Other dimensions available on request





## E COR X.T/ H.T ENCLOSURE WITH SLOPED ROOF



Wall- mounted enclosure with single blank door and sloped roof, manufactured from stainless sheet steel, with high resistance to harsh chemical and environmental agents.

### CHARACTERISTICS

Enclosure, roof and door manufactured from AISI 304L stainless steel sheet (AISI 316L on request).

Mounting plate manufactured from sendzimir sheet steel and hinges in stainless steel.

### MATERIAL THICKNESS

Enclosure and door: 1.5mm

Mounting plate: 2.3 mm

### SUPPLY

Box complete with:

- mounting plate
- door with locking system (chromed zamak with 3mm double tab insert, tab with anti-seize plastic cap) with key and silicone foam seal
- sloped roof
- package with screws for earth connection and mounting plate

### PROTECTION DEGREE

- IP66 complying with EN62208; EN60529
- NEMA 4X complying with UL508A; UL50
- protection degree guaranteed by the two-component silicone foam seal
- impact resistance IK10 complying with EN62208; EN62262.

# IP 66 NEMA 4X IK10

PRODUCT CODE	BOX DIMENSION		
	W	H	D
EC040515X.T	400	503	150
EC040620X.T	400	603	200
EC050730X.T	500	703	300
EC060825X.T	600	803	250
EC081025X.T	800	1003	250
EC081030X.T	800	1003	300
EC081230X.T	800	1203	300

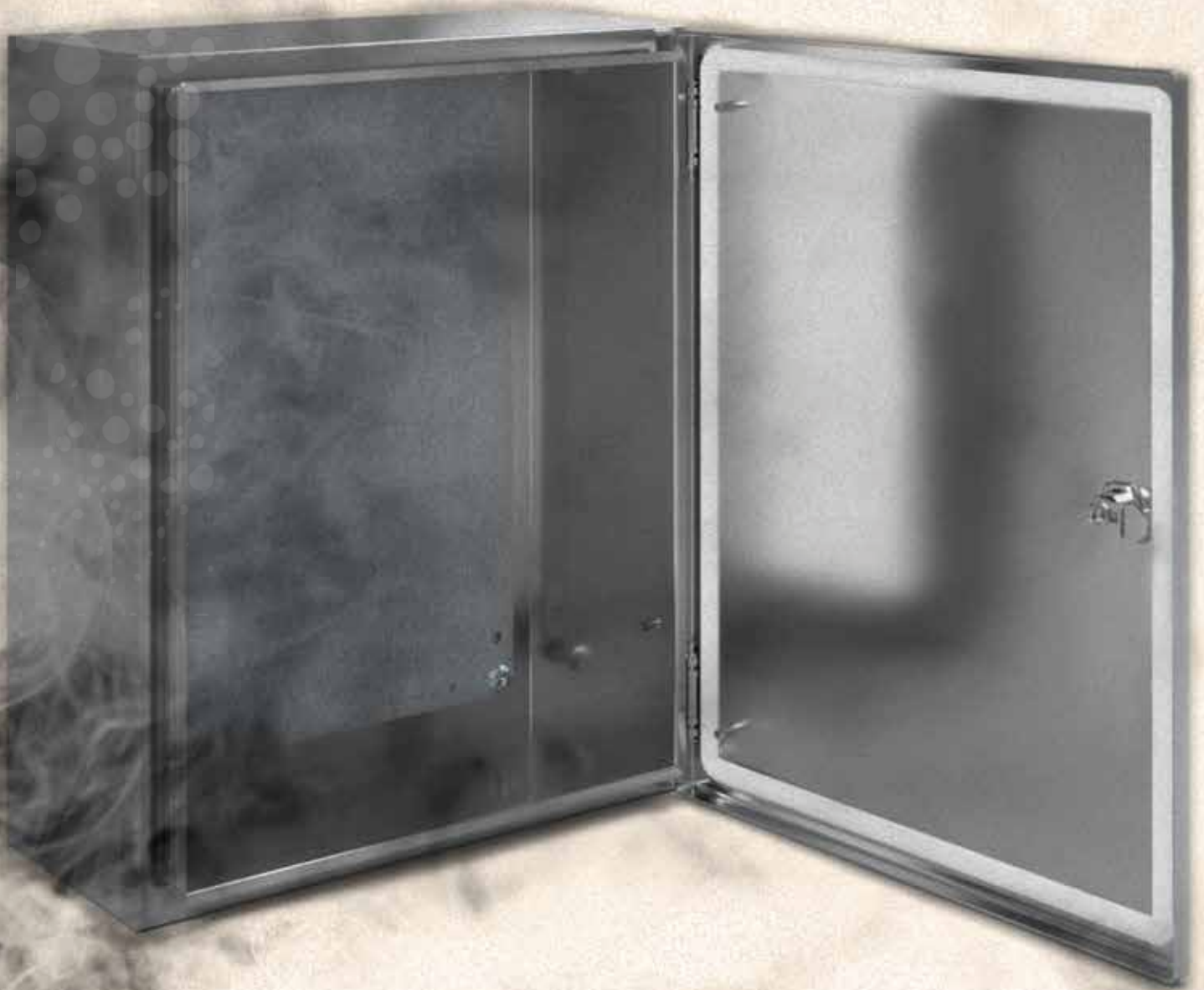
To order the steel version AISI 316L replace the suffix X with H in the code ( ex. EC040515H.T)

PRODUCT CODE	MOUNT. PLATE		N. LOCK / TYPE
	W	H	
EC040515X.T	350	450	1
EC040620X.T	350	550	2
EC050730X.T	450	650	2
EC060825X.T	550	750	2
EC081025X.T	750	950	2
EC081030X.T	750	950	2
EC081230X.T	750	1150	ROD SYSTEM





# ENCLOSURES ATEX COMPLIANT



ETA enclosures can also be used for applications in Explosive Atmospheres (ATEX), fully meeting both the standards required by the IMQ 09 ATEX 037 U directive and the market need for a product for increased safety applications and with enclosure against dust and gas.



**ATEX 2014/34/UE**

**II 2G Ex eb IIC Gb**  
**II 2D Ex tb IIIC Db**

- II** group of appliances
- 2G** gas explosive atmosphere appliance category
- 2D** dust explosive atmosphere appliance category
- Ex** protection method
- eb** increased safety
- tb** enclosure dust tight
- IIC** gas groups
- IIIC** conductive dust
- Gb** EPL zone 1 gas
- Db** EPL zone 21 dust



## E COR STAINLESS STEEL ENCLOSURES ATEX COMPLIANT



ETA enclosures can also be used for applications  
in Explosive Atmospheres (ATEX)

### CHARACTERISTICS

Enclosure and door with formed corners manufactured from presatinized AISI 304L stainless steel sheet (AISI 316L on request).

Mounting plate manufactured from sendzimir sheet steel with slots in the corners and hinges in AISI 316L stainless steel. External M6 x 15 mm stud welded on the enclosure to ensure the grounding of the enclosure.

### MATERIAL THICKNESS

Enclosure: from 1,2mm to 1,5mm,  
depending on size

Door:

1,2mm until dimensions 300x500x200;

1,5mm until dimensions 800x1200x400

Mounting plate.:

2.0mm until dimension 300x500x200;

2.3 mm until dimension 800x1200x400

### SUPPLY

Enclosure complete with:

- mounting plate
- door with locking system (AISI 316L closing system) with key and silicone foam seal
- package with screws for earth connection and mounting plate

### PROTECTION DEGREE

- IP66 complying with EN62208; EN60529
- NEMA 4X complying with UL508A; UL50
- protection degree guaranteed by the two-component silicone foam seal
- impact resistance IK10 complying with EN62208; EN62262.



# IP 66 NEMA 4X IK10

PRODUCT CODE	BOX DIMENSIONS				DIM. PIASTRA	
	W	H	D	N. LOCK/ TYPE	W	H
EC020315EEX	200	300	150	1	150	250
EC030315EEX	300	300	150	1	250	250
EC030415EEX	300	400	150	1	250	350
EC030420EEX	300	400	200	1	250	350
EC040315EEX	400	300	150	1	350	250
EC040420EEX	400	400	200	1	350	350
EC040520EEX	400	500	200	1	350	450
EC040620EEX	400	600	200	2	350	550
EC040625EEX	400	600	250	2	350	550
EC050520EEX	500	500	200	2	450	450
EC050525EEX	500	500	250	2	450	450
EC050720EEX	500	700	200	2	450	650
EC050725EEX	500	700	250	2	450	650
EC060420EEX	600	400	200	3	550	350
EC060620EEX	600	600	200	3	550	550
EC060625EEX	600	600	250	3	550	550
EC060630EEX	600	600	300	3	550	550
EC060820EEX	600	800	200	4	550	750
EC060825EEX	600	800	250	4	550	750
EC060830EEX	600	800	300	4	550	750
EC061230EEX	600	1200	300	5	550	1150
EC080830EEX	800	800	300	4	750	750
EC081030EEX	800	1000	300	4	750	950
EC081040EEX	800	1000	400	4	750	950
EC081230EEX	800	1200	300	5	750	1150

To order the steel version AISI 316L replace the suffix X with H in the code ( ex. EC020315EEXH)





## ACCESSORIES

### MODULAR FRONT WITH UNIVERSAL FUNCTIONAL FRAME, PANELS AND DIN RAILS

Internal frame made from sendzimir DIN rails and partitions H = 25 or 50 mm (if needed) made from AISI 304L stainless sheet steel (AISI 316L available on request)  
complete with modular panels,  
Single piece complete with frame, modular panels, DIN guides, partitions, brackets and mounting accessories.

### BLANK PANEL

Made from AISI 304L stainless sheet steel (AISI 316L available on request).  
Nr. 2 pieces complete with mounting accessories

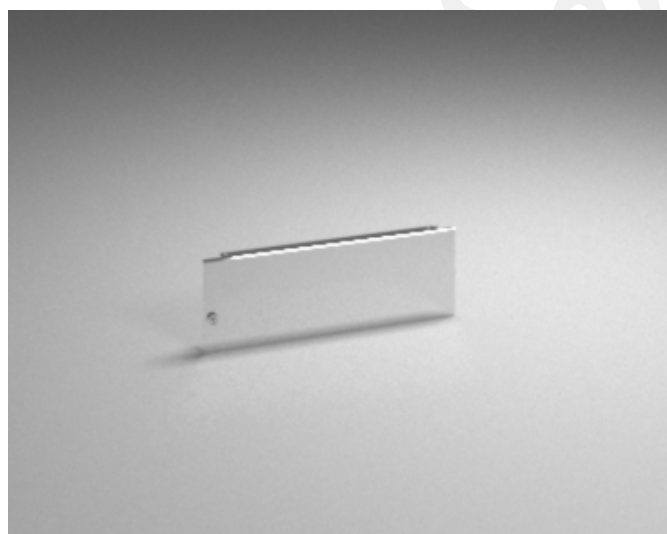
### INTERNAL DOOR

Door panel made from AISI 304L stainless sheet steel (AISI 316L available on request).  
Single piece complete with frame, hinges, locking system and mounting accessories.

PRODUCT CODE	ENCLOSURE DIMENSIONS		FUNCT. CHARACTER.
	W	H	
ECMI040030X	400	300	1 ROW x 16 DIN MODULES
ECMI040040X	400	400	2 ROWS x 16 DIN MODULES
ECMI040050X	400	500	3 ROWS x 16 DIN MODULES
ECMI040060X	400	600	3 ROWS x 16 DIN MODULES
ECMI050070X	500	700	4 ROWS x 21 DIN MODULES
ECMI060040X	600	400	2 ROWS x 26 DIN MODULES
ECMI060060X	600	600	3 ROWS x 26 DIN MODULES
ECMI060080X	600	800	5 ROWS x 26 DIN MODULES
ECMI060100X	600	1000	6 ROWS x 26 DIN MODULES
ECMI060120X	600	1200	7 ROWS x 26 DIN MODULES
ECMI080100X	800	1000	6 ROWS x 36 DIN MODULES
ECMI080120X	800	1200	7 ROWS x 36 DIN MODULES



PRODUCT CODE	ENCLOSURE DIMENSIONS	
	W	H
ECAV040015X	400	150
ECAV050015X	500	150
ECAV060015X	600	150
ECAV080015X	800	150



PRODUCT CODE	ENCLOSURE DIMENSIONS		N. LOCK/ TYPE
	W	H	
ECPI030040X	300	400	1 BOX
ECPI040050X	400	500	1 BOX
ECPI040060X	400	600	2 BOX
ECPI050070X	500	700	2 BOX
ECPI060040X	600	400	1 BOX
ECPI060080X	600	800	2 BOX
ECPI060100X	600	1000	2 BOX
ECPI060120X	600	1200	2 BOX
ECPI080100X	800	1000	2 BOX
ECPI080120X	800	1200	2 BOX



To order the steel version AISI 316L replace the suffix X with H in the code

( es. ECMI040030H)

Other dimensions available on request



## ACCESSORIES

### 19" RACK UPRIGHTS

Rack uprights made from sendzimir sheet metal.  
Nr. 2 pieces complete with mounting accessories

### CROSS-PIECES WITH UNIVERSAL DEPTH

Universal accessory for internal accessory depth adjustment at 25mm intervals, made from sendzimir sheet steel.  
Nr. 4 pieces complete with mounting accessories.

### PROTECTIVE CANOPY

Particularly suitable for outdoor installations, where additional protection against atmospheric agents is required. Made from AISI 304L stainless sheet steel (AISI 316L available on request).  
Single piece complete with mounting accessories

PRODUCT CODE	BOX DIMENSIONS	
	HEIGHT	HE
ECMR0300X	300	5
ECMR0400X	400	8
ECMR0500X	500	10
ECMR0600X	600	13
ECMR0700X	700	15
ECMR0800X	800	17
ECMR1000X	1000	22
ECMR1200X	1200	26



PRODUCT CODE	ENCLOSURES DEPTH
ECTU0150X	150
ECTU0200X	200
ECTU0250X	250
ECTU0300X	300
ECTU0400X	400
	400



PRODUCT CODE	ENCLOSURE DIMENSIONS	
	W	D
ECTT040020X	400	200
ECTT050020X	500	200
ECTT050025X	500	250
ECTT060025X	600	250
ECTT080030X	800	300



To order the steel version AISI 316L replace the suffix X with H in the code

( es. ECTT040020H)

Other dimensions available on request

Enclosure machining required: indicate when ordering



## ACCESSORIES

### PLINTH

Side cross-pieces with integrated corner piece and frontal cross-pieces made from AISI 304L stainless sheet steel (AISI 316L available on request).

The plinth is complete with:  
Nr. 2 frontal cross-pieces;  
Nr. 2 side cross-pieces with integrated corner piece, with mounting accessories.

### MICRO-PERFORATED MOUNTING PLATE

Mounting plate made from sendzimir sheet steel, supplied individually.

ENCLOSURE DIMENS.		ECZP PLINTH	
H	D	W	D
600	300	600	275
800	300	800	275
1000	300	1000	275

To order the AISI 316 L version replace the suffix X in the code with H (ex. ECZP030010H- ECZP0600H)

Other dimensions available on request

SIDE CROSS-PIECES WITH INTEGRATED CORNER PIECE		
CODE	D	H
ECZP030010X	300	100
ECZP030020X	300	200

FRONTAL CROSS-PIECES		
CODE	D	H
ECZP0600X	600	100
ECZP0800X	800	100
ECZP1000X	1000	100



PRODUCT CODE	BOX DIMENSION		MOUNT. PLATE	
	W	H	W	H
ECPF020030	200	300	150	250
ECPF025030	250	300	200	250
ECPF030030	300	300	250	250
ECPF030040	300	400	250	350
ECPF030050	300	500	250	450
ECPF040030	400	300	350	250
ECPF040040	400	400	350	350
ECPF040050	400	500	350	450
ECPF040060	400	600	350	550
ECPF050050	500	500	450	450
ECPF050060	500	600	450	550
ECPF050070	500	700	450	650
ECPF060040	600	400	550	350
ECPF060060	600	600	550	550
ECPF060080	600	800	550	750
ECPF060100	600	1000	550	950
ECPF060120	600	1200	550	1150
ECPF080060	800	600	750	550
ECPF080080	800	800	750	750
ECPF080100	800	1000	750	950
ECPF080120	800	1200	750	1150
ECPF100080	1000	800	950	750
ECPF100100	1000	1000	950	950
ECPF100120	1000	1200	950	1150
ECPF120100	1200	1000	1150	950
ECPF120120	1200	1200	1150	1150





## ACCESSORIES

### MOUNTING PLATE - SPARE PARTS

Mounting plate made from sendzimir sheet steel, supplied individually.

### MICRO-SWITCH ECMC0001X

Compliant with the IEC337-VDE0660 standards.  
Single piece complete with micro-switch and fastening brackets.

### WALL MOUNTING BRACKETS SDWCX-010

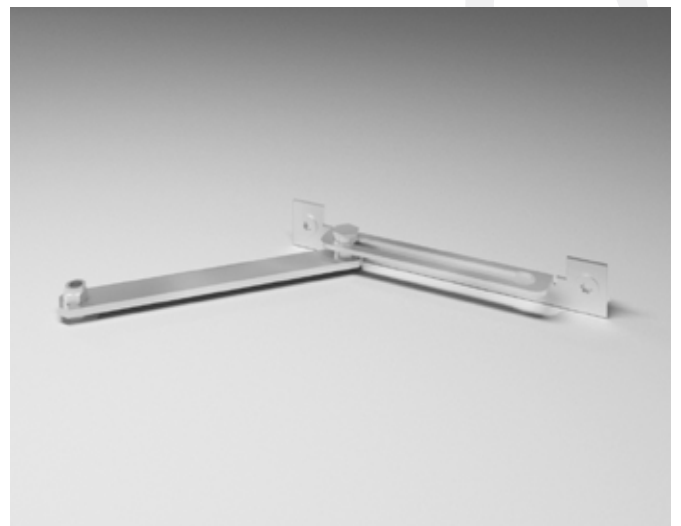
Wall mounting brackets manufactured from AISI 316L stainless steel.  
Supply includes nr. 4 pieces.

### DOOR STOP ECWA001X

Door stop that allows the door to be mechanically stopped at 90°, 100° or 110° (complying to the machining on the enclosure), in order to prevent accidental closure.  
Made from AISI 304L stainless sheet steel, complete with mounting accessories.

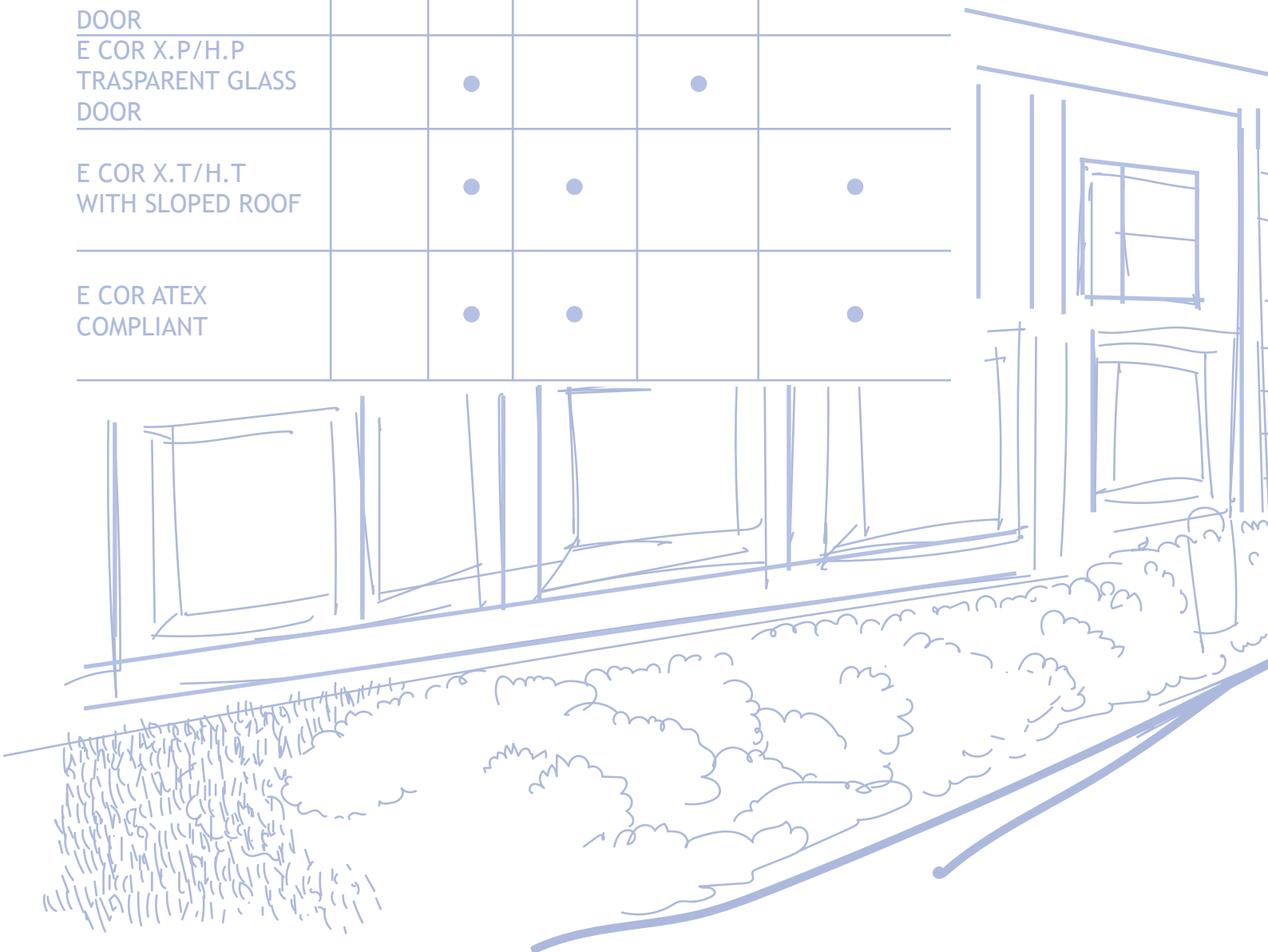


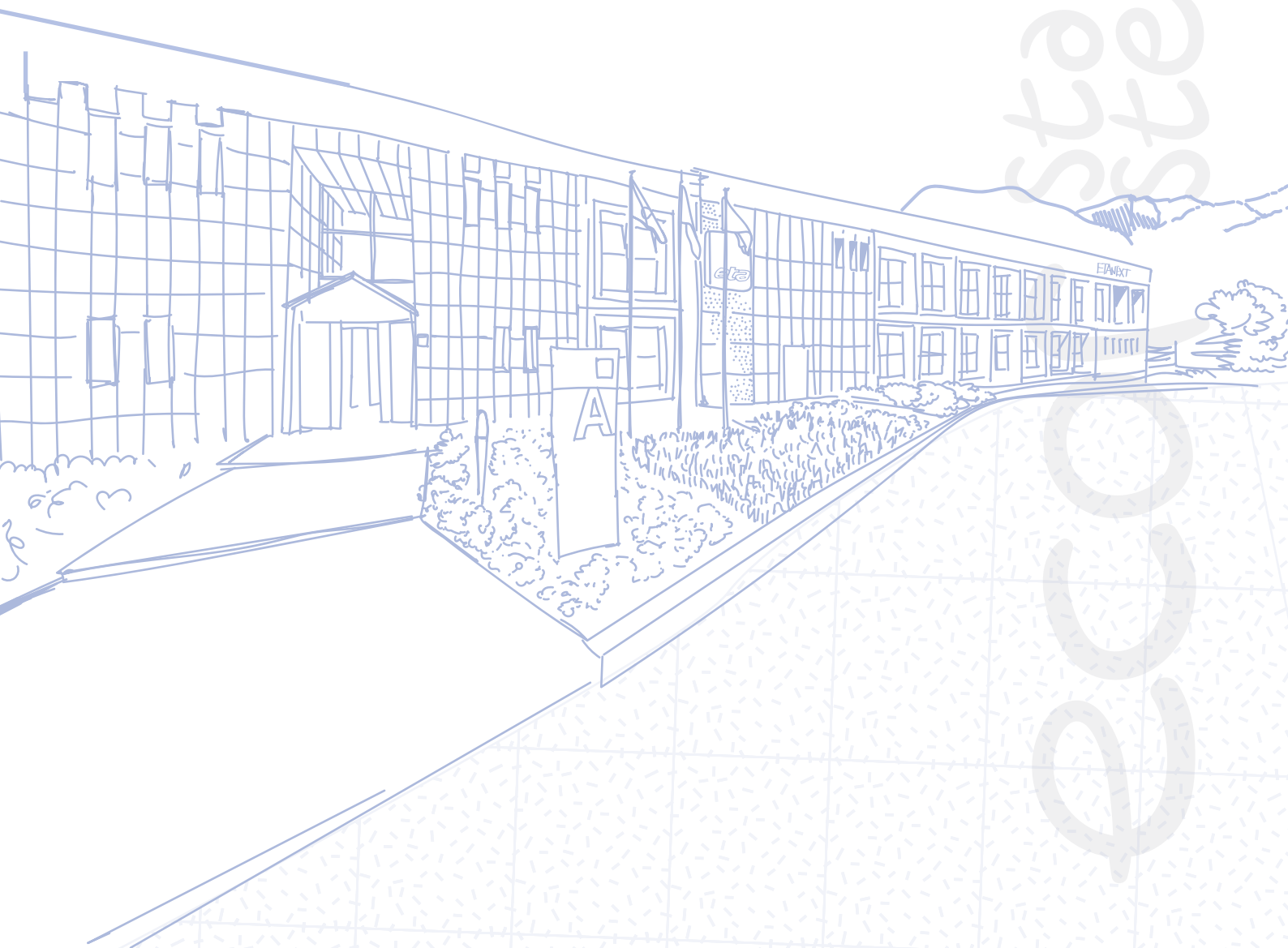
PRODUCT CODE	DIMENSIONS	
	W	H
ECPA020030	200	300
ECPA025030	250	300
ECPA030030	300	300
ECPA030040	300	400
ECPA030050	300	500
ECPA040030	400	300
ECPA040040	400	400
ECPA040050	400	500
ECPA040060	400	600
ECPA050050	500	500
ECPA050060	500	600
ECPA050070	500	700
ECPA060040	600	400
ECPA060060	600	600
ECPA060080	600	800
ECPA060100	600	1000
ECPA060120	600	1200
ECPA080060	800	600
ECPA080080	800	800
ECPA080100	800	1000
ECPA080120	800	1200
ECPA100080	1000	800
ECPA100100	1000	1000
ECPA100120	1000	1200
ECPA120100	1200	1000
ECPA120120	1200	1200



## STAINLESS STEEL ENCLOSURES COMPLIANCE

RANGE	PROTECTION DEGREE				IMPACT RESISTANCE
	IP55	IP66	NEMA 4X	NEMA 12	IK 10
E COR X/H SINGLE BLANK DOOR		●	●		●
E COR X/H DOUBLE BLANK DOOR	●			●	●
E COR X.P/H.P TRASPARENT GLASS DOOR		●		●	
E COR X.T/H.T WITH SLOPED ROOF		●	●		●
E COR ATEX COMPLIANT		●	●		●





stainless  
steel



Dimensions indicated may be changed by E.T.A.  
in order to improve product manufacturing.

All sales are regulated by  
E.T.A. - General terms and conditions of sales  
Available by scanning the QR code

Check out our website [eta.it](https://eta.it) to keep updated!

Designed and printed by  
**E.T.A. S.P.A.**  
March 2024

ETA  
Headquarters  
Via Monte Barzaghino 6  
22035 Canzo (CO)  
Italy  
+39 031.673611  
+39 031.670554  
info@eta.it  
www.eta.it

SASU E.T.A. France  
Rue du Pré aux Boeufs  
76806 St Etienne du Rouvray  
France  
+33 02 35643470  
info@etafrance.fr

ETA ENCLOSURES Sp. z o.o.  
Sikorskiego 44  
60-451 Wrzesnia  
Poland  
+48 660 515 887  
biuro@eta-enclosures.it

E.T.A. Enclosures Ltd.  
Ignite Magna Way 2  
Rotherham S60 1FD  
United Kingdom  
+44 1709 386630  
+44 1709 369524  
info@eta-enclosures.co.uk