

Motion detector mini, 360°
– for indoor lighting control

- Only Ø36 mm
- 230 V AC stand-alone
- Easy mounting in all suspended ceilings via the mounting brackets
- IP 65 – perfect for moist areas and for outdoor use
- Detection area up to 70 m²
- Easy setting and adjustment via Niko Sensor Tool app or IR remote control

The motion detector 360° 1-channel is an integrated unit consisting of 1 channel on/off control, a PIR/light sensor and a built-in IR receiver.

The detector is designed for flush mounting, and luminaires and push buttons are connected directly to the detector.

The motion detector can be installed and used with its factory settings.

The detection area is 70 m² - which can be extended by parallel connection of an additional detector, where both detectors are working as master/master detectors for each individual area.

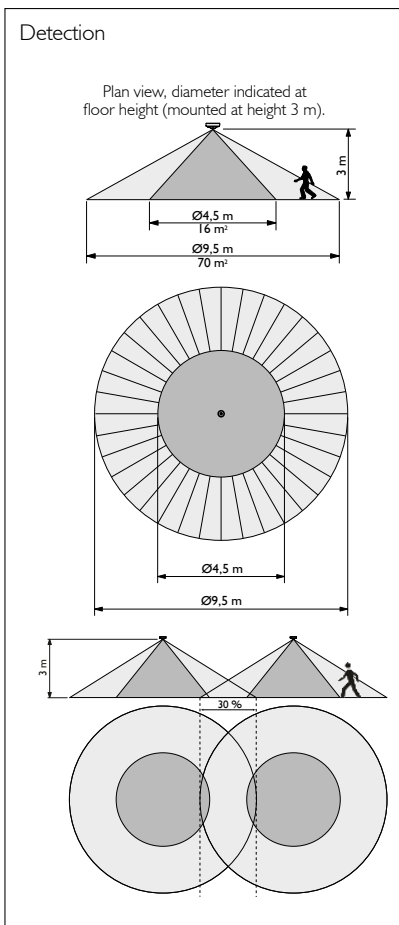
For optimum lighting control it is recommended to adjust the settings of the detector according to the actual room (light level). This is done via the built in potentiometers, Niko Sensor Tool app or via the IR remote control, type 41-928.

Functions

1. Auto On/Off via detector
2. Active On via push button/Auto Off via detector

Order numbers

| Product | Type | EAN no. |
|----------------------|--------|----------------|
| Motion detector mini | 41-100 | 5703102 207609 |
| IR remote control | 41-928 | 5703102 207302 |
| IR-dongle smartphone | 41-936 | 5703102 209542 |



Technical data



Input

Power supply 230 V AC ± 10 %, 50 Hz
Power consumption 0.2 W

Output

Relay μ 10 A, 250/400 V AC, NO
Max. compensation capacity 140 μ F
Max. starting current 165 A/20 m sec.
800 A/200 μ sec.

Load

Incandescent and halogen lamps 2300 W $\cos \varphi = 1$
Fluorescent tubes 1200 VA $\cos \varphi \geq 0.5$
Fluorescent tubes HF-ballast 1200 VA $\cos \varphi \geq 0.9$
Halogen electronic transformer 500 VA
LED electronic driver 500 VA
LED lamps 230 V AC 350 W
Energy-saving lamps, CLF 58 pcs. (18 W)

Performance

Lux range (preset settings) 20 - 1,000, ∞ lux
Time delay (preset settings) Pulse, 2 - 60 min.
Detection range Ø9,5 m, 360°
Ceiling installation height 2 - 3 m
Protection class, gasket is mounted IP 65
Cable (50 cm) 4 x 2.08 mm²
Colour RAL 9010 (white)
Ambient temperature -5°C ... +50°C

Approval

CE according to EN 60669-2-1

