



Arké white: Button 2M white

19022.B

Arké white / Devices / Basic devices

Button 2M white

Interchangeable 2-module button, lightable, white

Product Status

3 - Active

Minimum order quantity

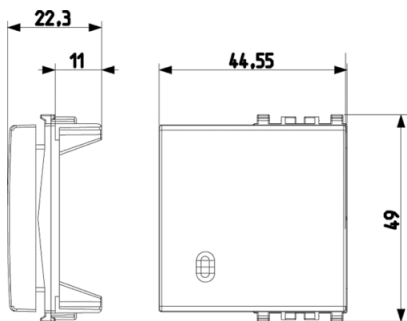
10 NR

Video

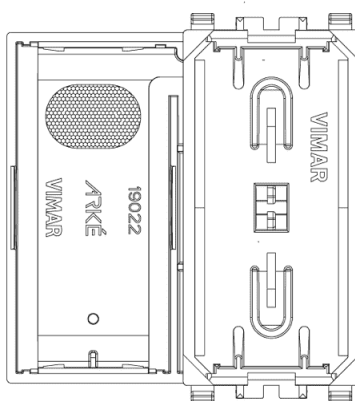
- [Arké lives in your time](#)



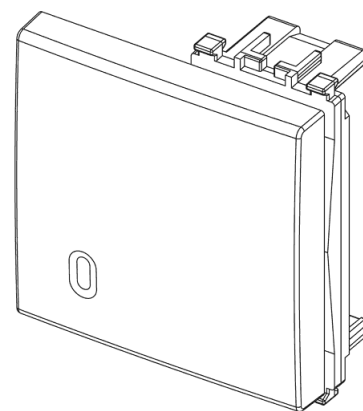
Drawings



Space view



Backside view



3D View

Gallery





Technical data

- **Class group:** Domestic switching devices
- **Class:** Control element/cover plate for domestic
- **Model:** Single rocker
- **Imprint/indication:** Without imprint
- **Utilization:** Switch/push button
- **Suitable for touch sensor conn:** No
- **Type of fastening:** Clamp mounting
- **Monitoring window/light outlet:** Yes
- **Material:** Plastic
- **Material quality:** Thermoplastic
- **Halogen free:** Yes
- **Surface protection:** Untreated
- **Surface finishing:** Matt
- **Colour:** White
- **RAL-number (akin):** 9016
- **With label area:** No
- **With exchangeable lens/symbol:** No
- **Suitable for degree of protect:** IP40

Certifications

- 00. CE Marking - EU
- 01. IMQ - Italy ([download](#))
- 09. VDE - Germany ([download](#))
- 29. QCERT - Colombia ([download](#))
- 96. Electrotechnical expert ([download](#))

Packaging



8 007352 454774

Code 8007352454774
Quantity 1 NR
Dim. 4.46x4.9x2.23 [cm]
Weight 11 [g]



8 007352 454781

Code 8007352454781
Quantity 2 NR
Dim. 5.1x2.8x5.3 [cm]
Weight 22 [g]



8 007352 462281

Code 8007352462281
Quantity 10 NR
Dim. 14.2x6.7x5.9 [cm]
Weight 140.8 [g]

Legal

Vimar reserves the right to change at any time and without notice the characteristics of the products reported. Installation should be carried out by qualified staff in compliance with the current regulations regarding the installation of electrical equipment in the country where the products are installed. For the terms of use of the information on the product info sheet see [conditions of use](#).