



## Eikon Next: Button 2M Next

**20022.N**

Eikon Next / Devices / Basic devices

### Button 2M Next

Interchangeable 2-module button, lightable, Next

### Product Status

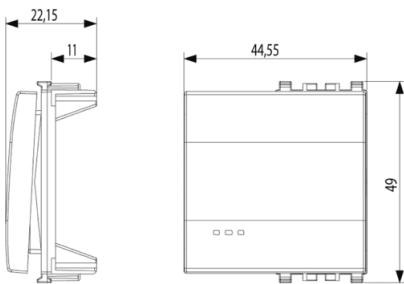
3 - Active

### Minimum order quantity

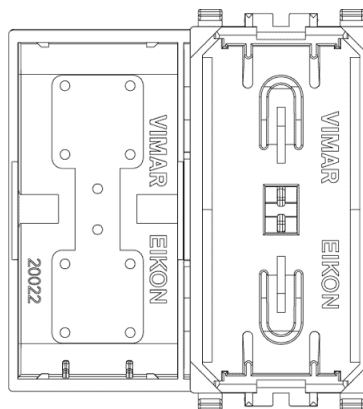
2 NR



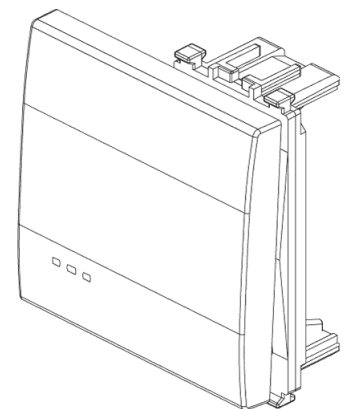
## Drawings



Space view



Backside view



3D View

## Technical data

- **Class group:** Domestic switching devices
- **Class:** Control element/cover plate for domestic
- **Model:** Single rocker
- **Imprint/indication:** Without imprint
- **Utilization:** Switch/push button
- **Suitable for touch sensor conn:** No
- **Type of fastening:** Clamp mounting
- **Monitoring window/light outlet:** Yes
- **Material:** Plastic
- **Material quality:** Thermoplastic
- **Halogen free:** Yes
- **Surface protection:** Lacquered
- **Surface finishing:** Matt
- **Colour:** Silver
- **RAL-number (akin):** 9022
- **With label area:** No
- **With exchangeable lens/symbol:** No
- **Suitable for degree of protect:** IP40



## Certifications

- 01. IMQ - Italy ([download](#))
- 04. NF - France
- 09. VDE - Germany ([download](#))
- 29. QCERT - Colombia ([download](#))
- 96. Electrotechnical expert ([download](#))

## Packaging



**8 007352 285088**  
**Code** 8007352285088  
**Quantity** 1 NR  
**Dim.** 4.46x4.9x2.29 [cm]  
**Weight** 8.53 [g]



**8 007352 285095**  
**Code** 8007352285095  
**Quantity** 2 NR  
**Dim.** 5.1x2.8x5.3 [cm]  
**Weight** 21.07 [g]



**8 007352 285101**  
**Code** 8007352285101  
**Quantity** 310 NR  
**Dim.** 28.4x24.4x19.5 [cm]  
**Weight** 3,497 [g]

## Legal

Vimar reserves the right to change at any time and without notice the characteristics of the products reported. Installation should be carried out by qualified staff in compliance with the current regulations regarding the installation of electrical equipment in the country where the products are installed. For the terms of use of the information on the product info sheet see [conditions of use](#).