

091(M)

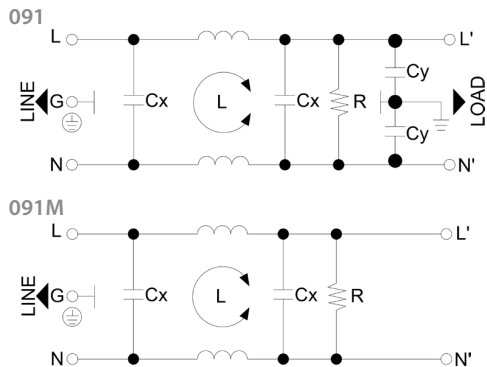
HIGH PERFORMANCE SINGLE PHASE SINGLE STAGE (GENERAL PURPOSE & MEDICAL)

FEATURES

- » Rated currents include **1A, 3A, 6A, 10A, 15A, 20A, 25A, 30A, and 40A**
- » Single Stage
- » Available with quick disconnect tabs, wire leads and studs options
- » General Purpose & Low Leakage (M)edical options
- » High performance design
- » Easy to use and install
- » Agency Approved to *UL and EN 60939, CSA C22.2*
- » Y-cap value can be adjusted



ELECTRICAL SCHEMATIC



HOW TO ORDER

091M.0ZZ01.00



NOTE: USE ANY COMBINATOR OF **M** AND **ZZ**
E.G. **091.02501.00** (25A GENERAL PURPOSE VERSION) | **091M.02501.00** (25A LOW LEAKAGE MEDICAL VERSION)

SPECIFICATIONS

OPERATING FREQUENCY	50/60Hz
MAX. OPERATING VOLTAGE	250VAC +10%
CLIMATIC CATEGORY	25/85/21
TERMINALS (-T)	0.25" TABS
	W: WIRE LEADS
	S: STUDS (M4 - 1-20A)
	(M6 - 10-20A)

TYP. WEIGHT, LBS (KG) 0.28 (0.12)

TYPICAL LEAKAGE CURRENT 091

@ 250 VAC 50 Hz	0 - 0.42 mA Max.
@ 115 VAC 60 Hz	0 - 0.23 mA Max.

TYPICAL LEAKAGE CURRENT 091M

@ 250 VAC 50 Hz	0 - 10uA Max.
@ 115 VAC 60 Hz	0 - 5uA Max.

HIPOT RATINGS

LINE TO LINE	1450 VDC
LINE TO GROUND	2250 VDC

TYPICAL APPLICATIONS

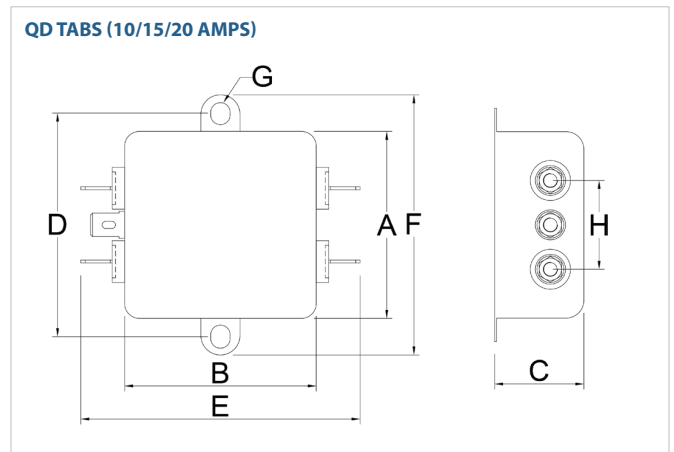
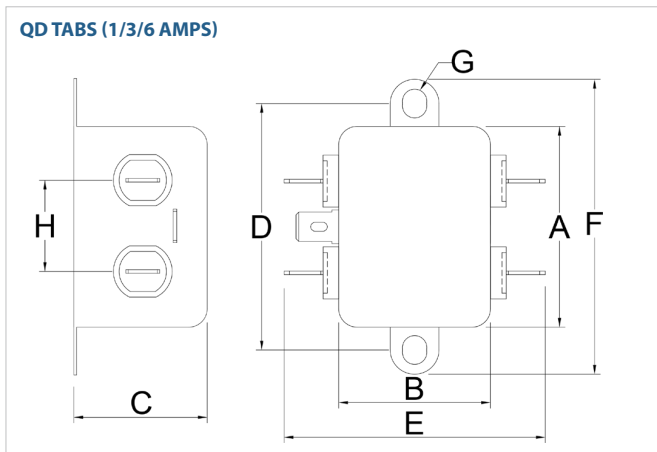
- ✓ Household appliances and equipment
- ✓ Small medical equipment
- ✓ Portable electrical and electronic equipment
- ✓ Test and measurement/lab equipment
- ✓ Rack mounted equipment

091(M)

HIGH PERFORMANCE SINGLE PHASE SINGLE STAGE
(GENERAL PURPOSE & MEDICAL)

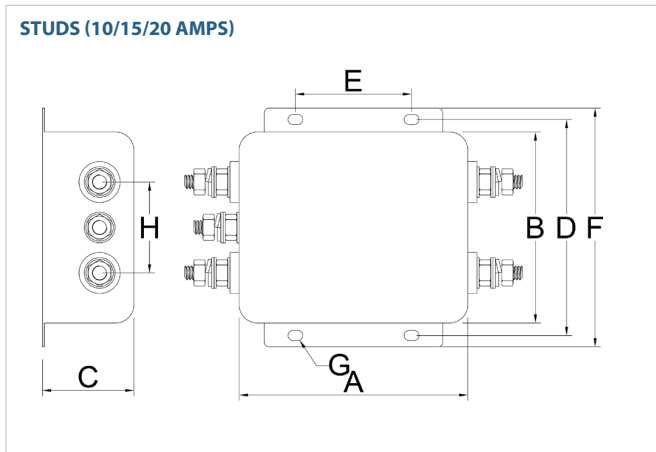
MODEL NO.	RATED CURRENT, A @ 40° C	TERMINAL OPTIONS			APPLICATION PURPOSE		MAX. DIMENSIONS" (MM)		
		(QD) INPUT/ OUTPUT	(W) INPUT/ OUTPUT	(S) INPUT/ OUTPUT	GENERAL	MEDICAL	WIDTH	(LENGTH)	HEIGHT
091.00101.00	1	✓	✓		✓		1.30"(33)	1.73"(44)	1.14"(29)
091.00301.00	3	✓	✓		✓		1.30"(33)	1.73"(44)	1.14"(29)
091.00601.00	6	✓	✓		✓		1.30"(33)	1.73"(44)	1.14"(29)
091.01001.00	10	✓	✓	✓	✓		3.31"(84)	3.94"(100)	1.57"(40)
091.01501.00	15	✓	✓	✓	✓		3.31"(84)	3.94"(100)	1.57"(40)
091.02001.00	20	✓	✓	✓	✓		3.31"(84)	3.94"(100)	1.57"(40)
091.02501.00	25	✓	✓		✓		3.31"(84)	3.94"(100)	1.57"(40)
091.03001.00	30	✓	✓		✓		3.31"(84)	3.94"(100)	1.57"(40)
091.04001.00	40	✓	✓		✓		3.31"(84)	3.94"(100)	1.57"(40)
091M.00101.00	1	✓	✓			✓	1.30"(33)	1.73"(44)	1.14"(29)
091M.00301.00	3	✓	✓			✓	1.30"(33)	1.73"(44)	1.14"(29)
091M.00601.00	6	✓	✓			✓	1.30"(33)	1.73"(44)	1.14"(29)
091M.01001.00	10	✓	✓	✓		✓	3.31"(84)	3.94"(100)	1.57"(40)
091M.01501.00	15	✓	✓	✓		✓	3.31"(84)	3.94"(100)	1.57"(40)
091M.02001.00	20	✓	✓	✓		✓	3.31"(84)	3.94"(100)	1.57"(40)
091M.02501.00	25	✓	✓			✓	3.31"(84)	3.94"(100)	1.57"(40)
091M.03001.00	30	✓	✓			✓	3.31"(84)	3.94"(100)	1.57"(40)
091M.04001.00	40	✓	✓			✓	3.31"(84)	3.94"(100)	1.57"(40)

091(M) MECHANICAL OUTLINES (MM)



091(M)

HIGH PERFORMANCE SINGLE PHASE SINGLE STAGE
(GENERAL PURPOSE & MEDICAL)



SERIES	(A)	B	C	D	E	F	G	H
QD TABS (1/3/6 A)	1.73" (44)	1.30" (33)	1.14" (29)	2.13" (54)	2.24" (57)	2.52" (64)	2-5.3*6.3	0.79" (20)
QD TABS (10/15/20 A)	2.01" (51)	2.05" (52)	1.14" (29)	2.40" (61)	3.02" (77)	2.80" (71)	2-5.3*6.3	0.79" (20)
STUDS (10/15/20 A)	3.94" (100)	3.31" (84)	1.57" (40)	3.74" (95)	4.13" (105)	5.94" (151)	4-4.5*6.5	1.73" (44)

TYPICAL TOLERANCE: +/-0.02" (0.50MM)

TYPICAL INSERTION LOSS, dB (50/50 Ohm)

091 INSERTION LOSS

Amps	Freq (MHz)	0.15	0.5	1	10	30
1	CM (dB)	31.0	43.0	52.0	52.0	50.0
	DM (dB)	13.0	23.0	30.0	35.0	35.0
3	CM (dB)	29.0	41.0	50.0	50.0	50.0
	DM (dB)	13.0	23.0	30.0	35.0	35.0
6	CM (dB)	25.0	37.0	45.0	45.0	40.0
	DM (dB)	13.0	23.0	30.0	35.0	35.0
10	CM (dB)	23.0	35.0	43.0	43.0	40.0
	DM (dB)	13.0	23.0	30.0	35.0	35.0

091(M)

HIGH PERFORMANCE SINGLE PHASE SINGLE STAGE (GENERAL PURPOSE & MEDICAL)

Amps	Freq (MHz)	0.15	0.5	1	10	30
15	CM (dB)	19.0	31.0	40.0	40.0	40.0
	DM (dB)	13.0	23.0	30.0	35.0	35.0
20	CM (dB)	19.0	31.0	40.0	40.0	40.0
	DM (dB)	13.0	23.0	30.0	35.0	35.0
25	CM (dB)	17.0	28.0	38.0	38.0	35.0
	DM (dB)	13.0	23.0	30.0	35.0	35.0
30	CM (dB)	17.0	28.0	38.0	38.0	35.0
	DM (dB)	13.0	23.0	30.0	35.0	35.0
40	CM (dB)	13.0	25.0	34.0	34.0	30.0
	DM (dB)	13.0	23.0	30.0	35.0	35.0

091M INSERTION LOSS

Amps	Freq (MHz)	0.15	0.5	1	10	30
1	CM (dB)	31.0	41.0	48.0	50.0	45.0
	DM (dB)	13.0	23.0	30.0	35.0	35.0
3	CM (dB)	31.0	41.0	48.0	50.0	45.0
	DM (dB)	13.0	23.0	30.0	35.0	35.0
6	CM (dB)	25.0	35.0	42.0	40.0	40.0
	DM (dB)	13.0	23.0	30.0	35.0	35.0
10	CM (dB)	22.0	33.0	39.0	35.0	35.0
	DM (dB)	13.0	23.0	30.0	35.0	35.0
15	CM (dB)	19.0	29.0	35.0	30.0	30.0
	DM (dB)	13.0	23.0	30.0	35.0	35.0
20	CM (dB)	19.0	29.0	35.0	30.0	30.0
	DM (dB)	13.0	23.0	30.0	35.0	35.0
25	CM (dB)	16.0	27.0	33.0	30.0	30.0
	DM (dB)	13.0	23.0	30.0	35.0	35.0
30	CM (dB)	13.0	23.0	30.0	28.0	28.0
	DM (dB)	13.0	23.0	30.0	35.0	35.0
40	CM (dB)	13.0	23.0	30.0	28.0	28.0
	DM (dB)	13.0	23.0	30.0	35.0	35.0