

LE

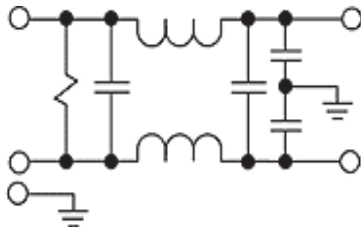
ECONOMICAL LOW LEAKAGE Π FILTERS

FEATURES

- » Rated currents include **5A, 10A, 15A, 20A, 30A, 40A, 75A, 100A and 150A**
- » Single Stage Line Filter
- » Available with **QD** (tabs), **S** (studs) and **C** (connectors) option
- » Low Profile, Connector & Flange Mount Available
- » Agency Approvals UL E78081, CSA LR53652 and TUV
- » Y-cap value can be adjusted to fit specification



ELECTRICAL SCHEMATIC



SPECIFICATIONS

OPERATING FREQUENCY	50/60Hz
MAX. OPERATING VOLTAGE	250VAC +10%
TERMINALS (-T)	QD: 0.25 TABS STUDS: 8-32 (15-30A), 10-32(40A) 1/4-20 (75A) 1/16-18 (100A)
TYP. WEIGHT, LBS (KG)	0.26 - 10.8 (0.11 - 4.89)

LEAKAGE CURRENT

@ 250 VAC 60 Hz	0 - 1.2 mA Max.
-----------------	-----------------

HIPOT RATINGS

LINE TO GROUND	2200 VDC - 2700 VDC
----------------	---------------------

TYPICAL APPLICATIONS

- ✓ Grounded return systems
- ✓ Mobile system
- ✓ MIL ground vehicles

HOW TO ORDER



NOTE: USE ANY COMBINATION OF -X (AMPS) WITH ANY -Y RATINGS
E.G. **LE75 LF**(75 AMPS, LOW PROFILE CASE, FLANGE MOUNT)

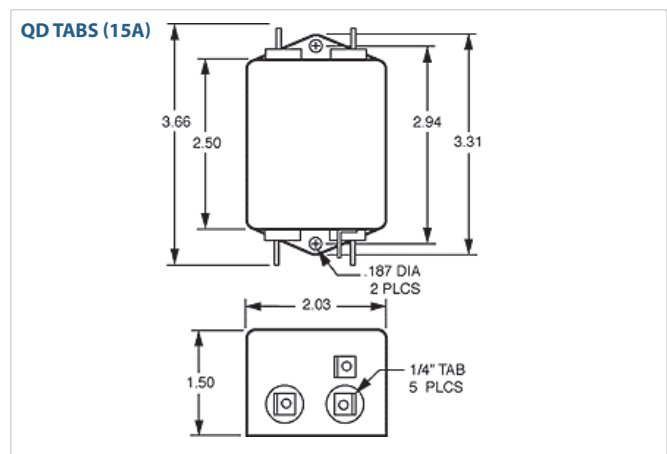
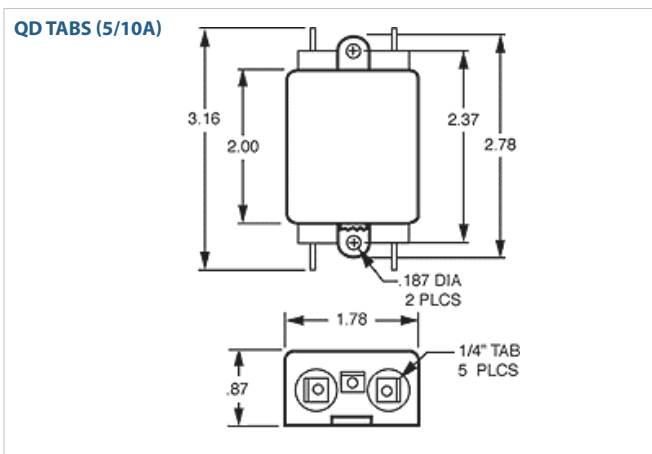
LE

ECONOMICAL LOW LEAKAGE π FILTERS

MODEL NO.	RATED CURRENT (A) @ 40° C	Y-CAP, nF	LEAKAGE CURRENT, mA @ 250V AC, 60 Hz	TERMINAL OPTIONS			MAX. DIMENSIONS" (MM)		
				(QD) INPUT/ OUTPUT	(S) INPUT/ OUTPUT	(C) INPUT/ OUTPUT	WIDTH	(LENGTH)	HEIGHT
LE5C	5	2x.0022 μ F	.3			✓	2.03"	3.1"	1.18"
LE5	5	2x.0022 μ F	.30	✓			1.78"	3.04"	0.87"
LE10C	10	2x.0022 μ F	.60			✓	2.03"	3.1"	1.18"
LE10	10	2x.0022 μ F	.30	✓			1.78"	3.2"	1.12"
LE10B S01	10	2x.0047 μ F	.30	✓			1.78"	3.2"	1.12"
LE15C	15	2x.0033 μ F	.45			✓	2.15"	3.47"	1.75"
LE15	15	2x.0033 μ F	.45	✓			2.03"	3.7"	1.5"
LE15 S	15	2x.0033 μ F	.30		✓		2.03"	3.76"	1.5"
LE15B	15	2x.0068 μ F	.9	✓			2.03"	3.7"	1.5"
LE20C	20	2x.0033 μ F	.45			✓	2.25"	4.38"	1.75"
LE20	20	2x.0033 μ F	.45		✓		2.15"	4.13"	1.78"
LE30	30	2x.0047 μ F	.80		✓		2.91"	4.32"	2"
LE40	40	2x.0047 μ F	.80		✓		4.12"	5.77"	1.75"
LE75 LF	75	2x.010 μ F	1.2		✓		4.25"	8.49"	2.25"
LE75 L	75	*	1.2		✓		4.25"	8.49"	2.25"
LE100 LF	100	2x.01 μ F	1.2		✓		5.5"	9.49"	3"
LE100 L	100	*	1.2		✓		5.5"	9.49"	3"
LE150	150	*	.45		✓		5.5"	9.49"	3"

*Contact factory for part data.

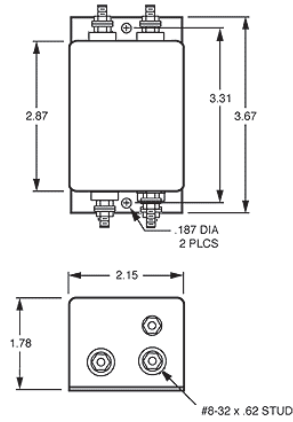
LE MECHANICAL OUTLINES (MM)



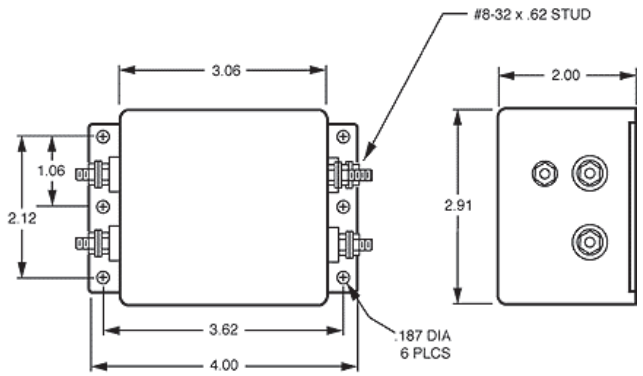
LE

ECONOMICAL LOW LEAKAGE Π FILTERS

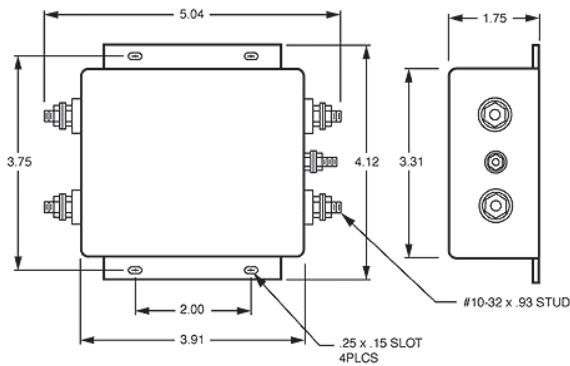
STUDS (20)



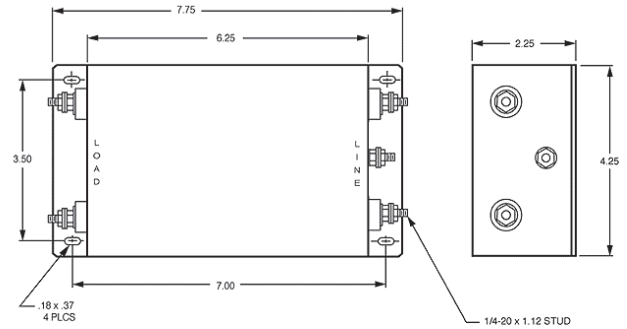
STUDS (30)



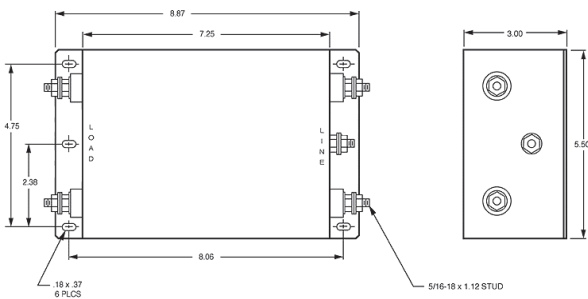
STUDS (40)



STUDS (75)



STUDS (100)



TYPICAL TOLERANCE: +/-0.02" (0.50MM)

LE

ECONOMICAL LOW LEAKAGE π FILTERS

TYPICAL INSERTION LOSS, dB (50/50 Ohm)

Amps	Freq (MHz)	0.15	0.5	1.0	10	30
5	CM (dB)	12	45	43	67	79
	DM (dB)	20	32	33	49	56
10	CM (dB)	20	50	43	67	79
	DM (dB)	20	32	33	49	56
15	CM (dB)	12	50	43	67	79
	DM (dB)	20	35	33	49	56
20	CM (dB)	12	45	43	67	79
	DM (dB)	20	32	33	49	56
30	CM (dB)	12	50	43	67	79
	DM (dB)	20	32	33	49	56
40	CM (dB)	30	60	43	67	79
	DM (dB)	20	32	33	49	56
75	CM (dB)	40	60	43	67	79
	DM (dB)	18	32	33	49	56
100	CM (dB)	12	45	43	67	79
	DM (dB)	18	32	33	49	56
150	CM (dB)	12	45	43	67	79
	DM (dB)	20	32	33	49	56