

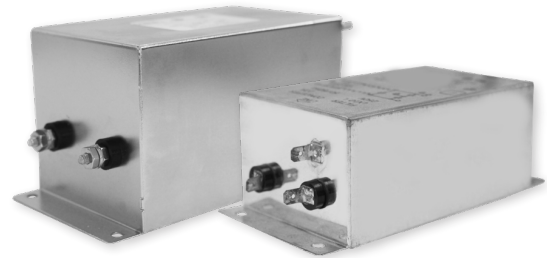
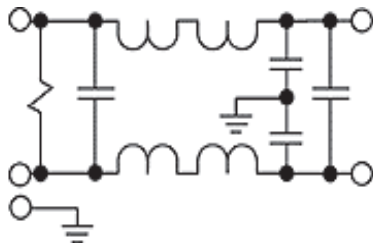
LX

ENHANCED PERFORMANCE LOW LEAKAGE SWITCH MODE EMI FILTER

FEATURES

- » Rated currents include **1.5A, 3A, 2.2A, 5A, 10A, 12A, 16A and 30A**
- » Available with **QD** (tabs), **S** (studs) and **C** (connectors) option
- » End Mount Case Low Profile, Connector & Flange Mount Available
- » Y-cap value can be adjusted to fit specification

ELECTRICAL SCHEMATIC



SPECIFICATIONS

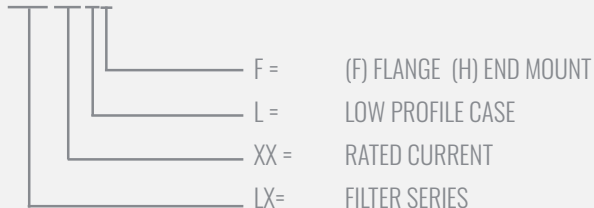
OPERATING FREQUENCY	50/60Hz
MAX. OPERATING VOLTAGE	250VAC +10%
TERMINALS (-T)	QD: 0.25 TABS STUDS: 8-32 (1-5A), 10-32(10-30A)
TYP. WEIGHT, LBS (KG)	0.61 - 12.8 (0.27 - 5.80)
LEAKAGE CURRENT @ 250 VAC 60 Hz	0 - 3.6 mA Max.
HIPOT RATINGS LINE TO GROUND	2200 VDC - 2700 VDC

TYPICAL APPLICATIONS

- ✓ Household Appliances
- ✓ Industrial Equipment
- ✓ Power Supplies
- ✓ Consumer Electronics
- ✓ Office Automation Equipment
- ✓ Data Processing Systems

HOW TO ORDER

LX XX LF



NOTE: USE ANY COMBINATION OF -X (AMPS) WITH ANY -Y RATINGS
E.G. **LX24 LF**(24 AMPS, LOW PROFILE CASE, FLANGE MOUNT)

LX

ENHANCED PERFORMANCE LOW LEAKAGE SWITCH MODE EMI

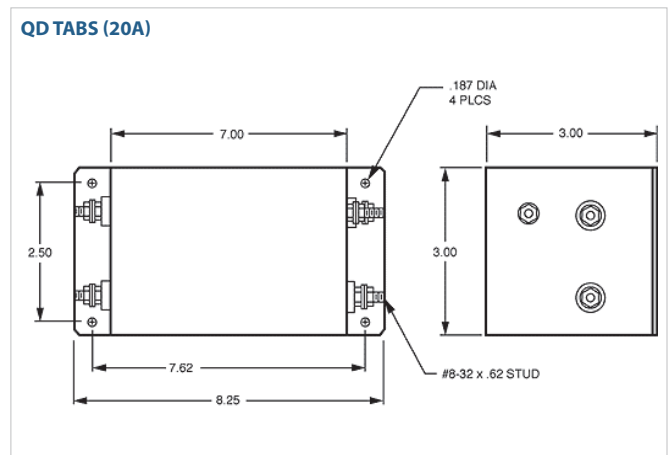
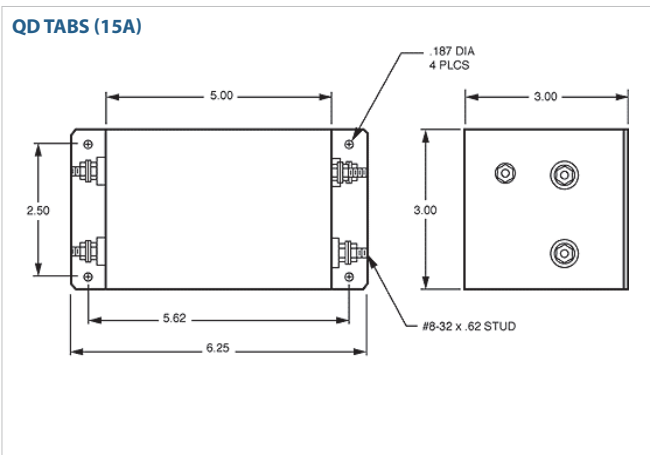
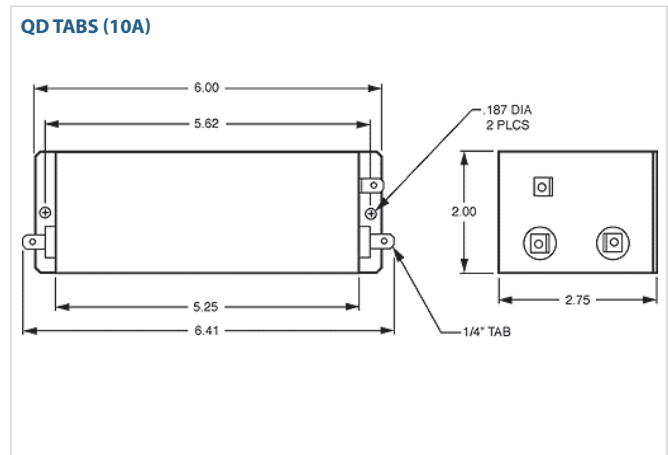
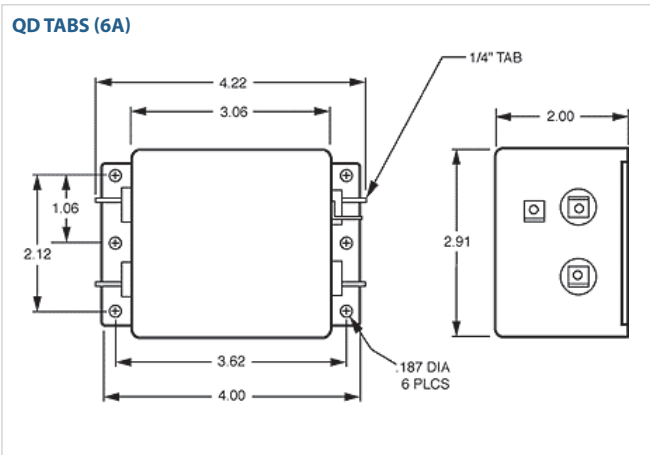
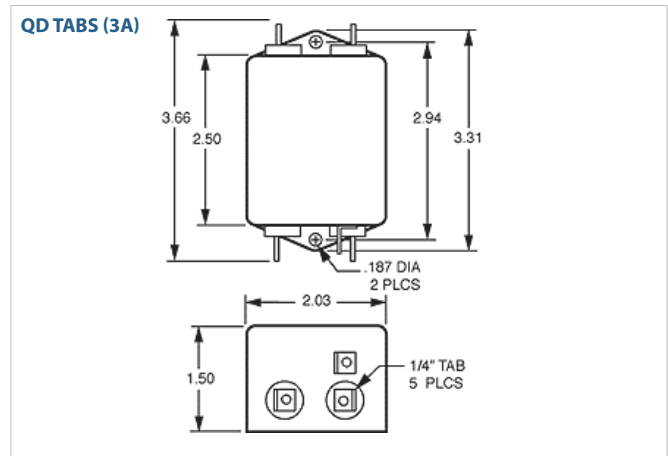
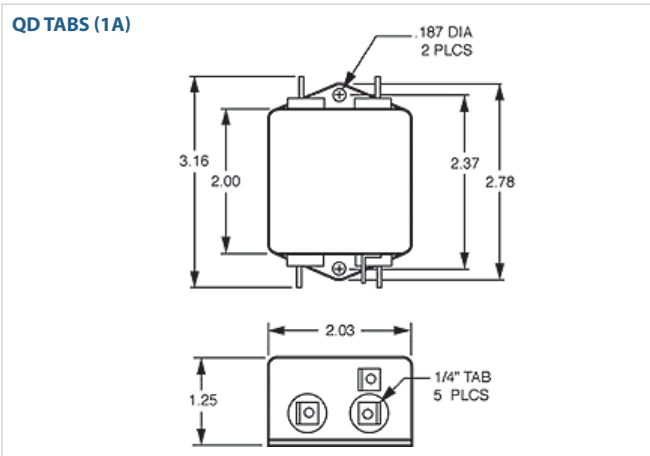
MODEL NO.	RATED CURRENT (A) @ 40° C	Y-CAP, nF	LEAKAGE CURRENT, mA @ 250V AC, 60 Hz	TERMINAL OPTIONS			MAX. DIMENSIONS" (MM)		
				(QD) INPUT/ OUTPUT	(S) INPUT/ OUTPUT	(C) INPUT/ OUTPUT	WIDTH	(LENGTH)	HEIGHT
LX1C	1.5	2x.0033µF	.45			✓	2.03"	3.1"	1.5"
LX1	1.5	2x.0033µF	.45	✓			2.03"	3.2"	1.25"
LX3C	3	2x.0033µF	.45			✓	2.15"	3.47"	1.75"
LX3	3	2x.0033µF	.45	✓			2.03"	3.7"	1.5"
LX6	6	2x.0033µF	.45	✓			2.91"	4.26"	2"
LX6L	6	2x.0033µF	.45	✓			2"	6.44"	1.5"
LX6 S	6	2x.0033µF	.45		✓		2.91"	4.32"	2"
LX10	10	2x.00033µF/2x .0047µF	.80	✓			2.75"	6.45"	2"
LX10L S	10	2x.00033µF/2x .0047µF	.80	✓			2.75"	6.45"	2"
LX15 F	15	2x.0068µF	1.5		✓		3"	6.26"	3"
LX15 H	15	2x.0068µF	1.5		✓		3"	6.26"	3"
LX15	15	*	1.5	*	*	*	*	*	*
LX20B H	20	2x.0001µF/2x .022µF	3.0		✓		3"	8.26"	3"
LX20 F	20	2x.001µF/2x .010µF	1.5		✓		3"	8.26"	3"
LX20 H	20	2x.001µF/2x .010µF	1.5		✓		3"	8.26"	3"
LX20B F	20	2x.001µF/2x .022µF	3.0		✓		3"	8.26"	3"
LX20	20	*	1.5	*	*	*	*	*	*
LX24 LF	24	2x.001µF/2x .010µF	1.5		✓		4.25"	11.11"	2.25"
LX24 LH	24	2x.001µF/2x .010µF	1.5		✓		4.25"	11.11"	2.25"
LX30	30	*	1.5	*	*	*	*	*	*
LX45	45	*	1.5	*	*	*	*	*	*

*Contact factory for part data.

LX

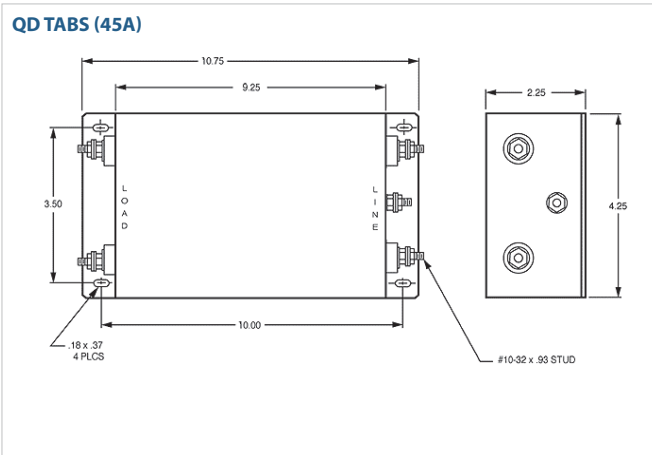
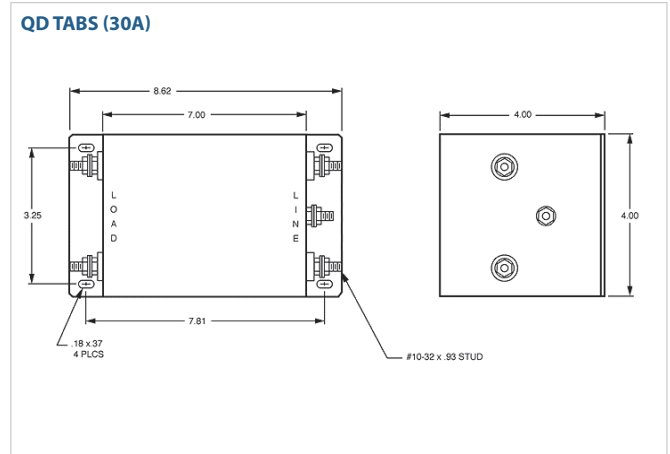
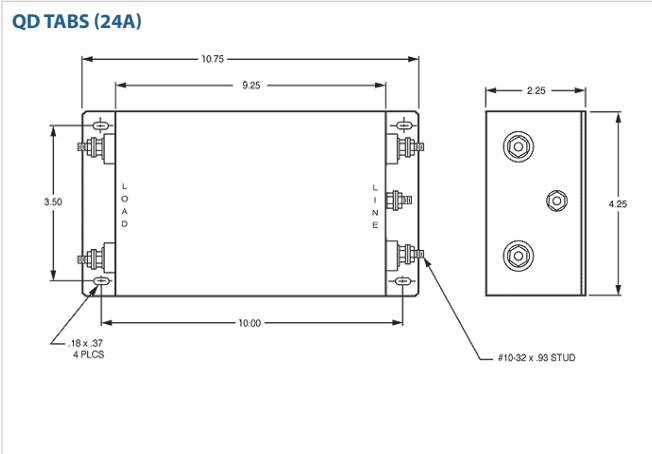
ENHANCED PERFORMANCE LOW LEAKAGE SWITCH MODE

LX MECHANICAL OUTLINES (MM)



LX

ENHANCED PERFORMANCE LOW LEAKAGE SWITCH MODE EMI



TYPICAL TOLERANCE: +/-0.02" (0.50MM)

LX

ENHANCED PERFORMANCE LOW LEAKAGE SWITCH MODE EMI

TYPICAL INSERTION LOSS, dB (50/50 Ohm)

Amps	Freq (MHz)	0.15	0.5	1.0	10	30
1	CM (dB)	65	65	61	65	67
	DM (dB)	42	50	46	52	56
2	CM (dB)	65	65	61	65	67
	DM (dB)	42	50	46	52	56
2.5	CM (dB)	65	65	61	65	67
	DM (dB)	42	50	46	52	56
5	CM (dB)	65	65	61	65	67
	DM (dB)	42	50	46	52	56
10	CM (dB)	65	65	61	65	67
	DM (dB)	42	50	46	52	56
12	CM (dB)	65	65	61	65	67
	DM (dB)	42	50	46	52	56
16	CM (dB)	65	65	61	65	67
	DM (dB)	42	50	46	52	56
30	CM (dB)	65	65	61	65	67
	DM (dB)	42	50	46	52	56