

# RP100

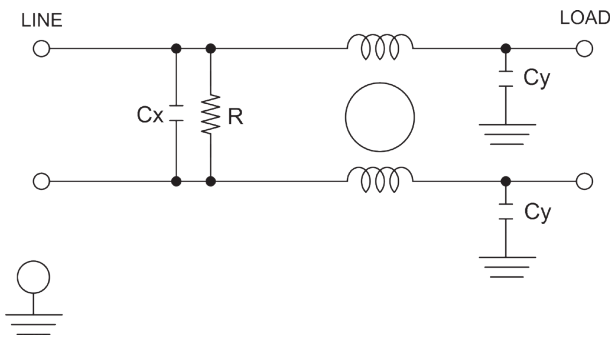
## COMPACT SINGLE STAGE POWER LINE FILTERS

### FEATURES

- » **Rated currents** include **3 A, 6A and 10 A**
- » Single Stage Line Filter
- » Available with **QD** tabs or **W** (wireleads) option
- » Compact Design
- » Agency Approved to UL1283 / 60929, CSA C22.2, EN60939
- » Y-cap value can be adjusted to fit specifications



### ELECTRICAL SCHEMATIC



### SPECIFICATIONS

OPERATING FREQUENCY	50/60Hz
USABLE FREQUENCY	DC - 400 Hz
MAX. OPERATING VOLTAGE	250V +10%
AMBIENT TEMPERATURE	-25 TO 40°C
CLIMATIC CATEGORY	25/100/21
TERMINALS (-T)	QD: 0.25" TABS W: WIRE LEADS

TYP. WEIGHT, LBS (KG) 0.3 (0.1)

### TYPICAL LEAKAGE CURRENT

@ 250 VAC 50 Hz	0 - 1.57 mA Max.
@ 120 VAC 60 Hz	0 - 0.90 mA Max.

### HIPOT RATINGS

LINE TO GROUND 2700 VDC

### TYPICAL APPLICATIONS

- ✓ Food Service Equipment
- ✓ Industrial and Mechanical Lighting
- ✓ Home Appliances
- ✓ Power Supplies
- ✓ Consumer Electronics

### HOW TO ORDER

RP100- X - Y - Z

- Z = TERMINAL (-T)
- Y = Y-CAP, NF
- X = RATED CURRENT
- RP100 = FILTER SERIES

**NOTE:** USE ANY COMBINATION OF -X (AMPS) WITH ANY -Y CAP VALUES E.G. **RP100-6-2.2-QD** (6AMPS WITH 2.2 NF YCAP)

For **X, Y** and **Z** options see product specification table.

# RP100

## COMPACT SINGLE STAGE POWER LINE FILTERS

MODEL NO.	RATED CURRENT, A @ 40° C	Y-CAP, nF	LEAKAGE CURRENT, mA @ 250V AC, 50 Hz / @ 120V AC, 60 Hz		TERMINAL OPTIONS		MAX. DIMENSIONS" (MM)		
					(QD) INPUT/ OUTPUT	(W) INPUT/ OUTPUT	WIDTH	(LENGTH)	HEIGHT
RP100-3-.22-QD	3	0.22	0.03	0.02	✓		2.34" (60)	2.56" (65)	1.02" (26)
RP100-3-.22-W	3	0.22	0.03	0.02		✓	2.34" (60)	2.56" (65)	1.02" (26)
RP100-3-.47-QD	3	0.47	0.07	0.04	✓		2.34" (60)	2.56" (65)	1.02" (26)
RP100-3-.47-W	3	0.47	0.07	0.04		✓	2.34" (60)	2.56" (65)	1.02" (26)
RP100-3-0-QD	3	0	-	-	✓		2.34" (60)	2.56" (65)	1.02" (26)
RP100-3-0-W	3	0	-	-		✓	2.34" (60)	2.56" (65)	1.02" (26)
RP100-3-1-QD	3	1	0.16	0.09	✓		2.34" (60)	2.56" (65)	1.02" (26)
RP100-3-1-W	3	1	0.16	0.09		✓	2.34" (60)	2.56" (65)	1.02" (26)
RP100-3-2.2-QD	3	2.2	0.35	0.20	✓		2.34" (60)	2.56" (65)	1.02" (26)
RP100-3-2.2-W	3	2.2	0.35	0.20		✓	2.34" (60)	2.56" (65)	1.02" (26)
RP100-3-4.7-QD	3	4.7	0.74	0.43	✓		2.34" (60)	2.56" (65)	1.02" (26)
RP100-3-4.7-W	3	4.7	0.74	0.43		✓	2.34" (60)	2.56" (65)	1.02" (26)
RP100-3-10-QD	3	10	1.57	0.90	✓		2.34" (60)	2.56" (65)	1.02" (26)
RP100-3-10-W	3	10	1.57	0.90		✓	2.34" (60)	2.56" (65)	1.02" (26)
RP100-6-.22-QD	6	0.22	0.03	0.02	✓		2.34" (60)	2.56" (65)	1.02" (26)
RP100-6-.22-W	6	0.22	0.03	0.02		✓	2.34" (60)	2.56" (65)	1.02" (26)
RP100-6-.47-QD	6	0.47	0.07	0.04	✓		2.34" (60)	2.56" (65)	1.02" (26)
RP100-6-.47-W	6	0.47	0.07	0.04		✓	2.34" (60)	2.56" (65)	1.02" (26)
RP100-6-0-QD	6	0	-	-	✓		2.34" (60)	2.56" (65)	1.02" (26)
RP100-6-0-W	6	0	-	-		✓	2.34" (60)	2.56" (65)	1.02" (26)
RP100-6-1-QD	6	1	0.16	0.09	✓		2.34" (60)	2.56" (65)	1.02" (26)
RP100-6-1-W	6	1	0.16	0.09		✓	2.34" (60)	2.56" (65)	1.02" (26)
RP100-6-2.2-QD	6	2.2	0.35	0.20	✓		2.34" (60)	2.56" (65)	1.02" (26)
RP100-6-2.2-W	6	2.2	0.35	0.20		✓	2.34" (60)	2.56" (65)	1.02" (26)
RP100-6-4.7-QD	6	4.7	0.74	0.43	✓		2.34" (60)	2.56" (65)	1.02" (26)
RP100-6-4.7-W	6	4.7	0.74	0.43		✓	2.34" (60)	2.56" (65)	1.02" (26)
RP100-6-10-QD	6	10	1.57	0.90	✓		2.34" (60)	2.56" (65)	1.02" (26)
RP100-6-10-W	6	10	1.57	0.90		✓	2.34" (60)	2.56" (65)	1.02" (26)
RP100-10-.22-QD	10	0.22	0.03	0.02	✓		2.34" (60)	2.56" (65)	1.02" (26)
RP100-10-.22-W	10	0.22	0.03	0.02		✓	2.34" (60)	2.56" (65)	1.02" (26)
RP100-10-.47-QD	10	0.47	0.07	0.04	✓		2.34" (60)	2.56" (65)	1.02" (26)
RP100-10-.47-W	10	0.47	0.07	0.04		✓	2.34" (60)	2.56" (65)	1.02" (26)
RP100-10-0-QD	10	0	-	-	✓		2.34" (60)	2.56" (65)	1.02" (26)
RP100-10-0-W	10	0	-	-		✓	2.34" (60)	2.56" (65)	1.02" (26)

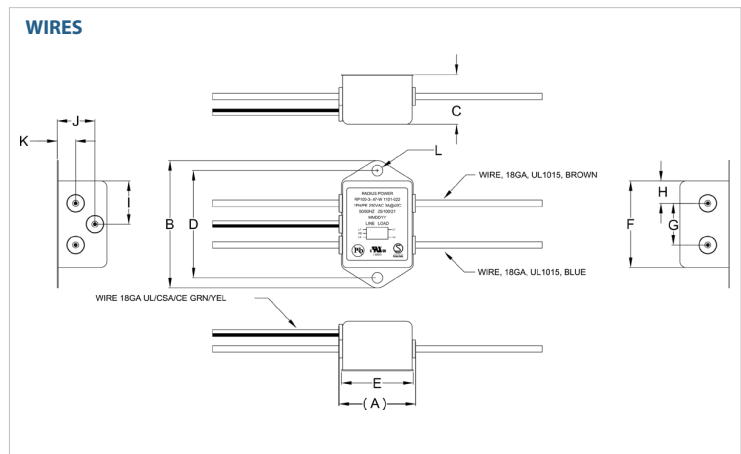
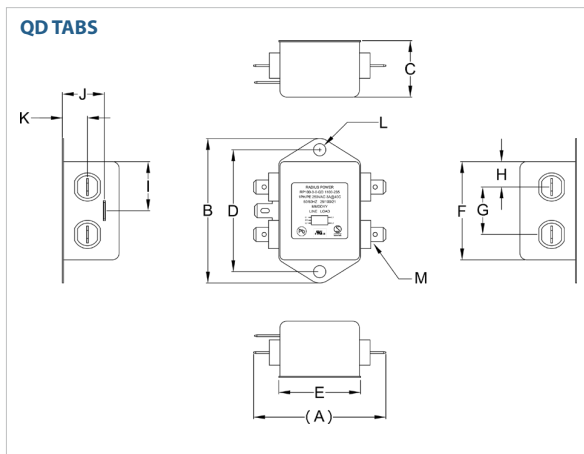
**ADDITIONAL MODEL NO. >>**

# RP100

## COMPACT SINGLE STAGE POWER LINE FILTERS

MODEL NO.	RATED CURRENT, A @ 40° C	Y-CAP, nF	LEAKAGE CURRENT, mA @ 250V AC, 50 Hz / @ 120V AC, 60 Hz		TERMINAL OPTIONS		MAX. DIMENSIONS" (MM)		
					(QD) INPUT/ OUTPUT	(W) INPUT/ OUTPUT	WIDTH	LENGTH	HEIGHT
RP100-10-1-QD	10	1	0.16	0.09	✓		2.34" (60)	2.56" (65)	1.02" (26)
RP100-10-1-W	10	1	0.16	0.09		✓	2.34" (60)	2.56" (65)	1.02" (26)
RP100-10-2.2-QD	10	2.2	0.35	0.20	✓		2.34" (60)	2.56" (65)	1.02" (26)
RP100-10-2.2-W	10	2.2	0.35	0.20		✓	2.34" (60)	2.56" (65)	1.02" (26)
RP100-10-4.7-QD	10	4.7	0.74	0.43	✓		2.34" (60)	2.56" (65)	1.02" (26)
RP100-10-4.7-W	10	4.7	0.74	0.43		✓	2.34" (60)	2.56" (65)	1.02" (26)
RP100-10-10-QD	10	10	1.57	0.90	✓		2.34" (60)	2.56" (65)	1.02" (26)
RP100-10-10-W	10	10	1.57	0.90		✓	2.34" (60)	2.56" (65)	1.02" (26)

### RP100 MECHANICAL OUTLINES" (MM)



SERIES	A	B	C	D	E	F	G	H	I	J	K	L	M
<b>QD TABS</b>	2.30" (58.4)	2.52" (64)	0.98" (25)	2.13" (54)	1.46" (37)	1.75" (44.5)	0.83" (21)	0.45" (11.5)	0.86" (21.8)	0.73" (18.5)	0.44" (11.1)	Ø0.21", 2x Ø5.4, 2x	0.25", 5x QD, MALE, 6.35, 5x
<b>WIRES</b>	1.60" (41)	2.52" (64)	0.98" (25)	2.13" (54)	1.46" (37)	1.75" (44.5)	0.83" (21)	0.45" (11.5)	0.86" (21.8)	0.73" (18.5)	0.44" (11.1)	Ø0.21", 2x Ø5.4, 2x	N/A

TYPICAL TOLERANCE: +/- 0.02" (0.50MM)

# RP100

## COMPACT SINGLE STAGE POWER LINE FILTERS

### TYPICAL INSERTION LOSS, dB (50/50 Ohm)

Amps	Freq (MHz)	0.15	0.5	1.0	10	30
3	CM (dB)	38	42	45	42	34
	DM (dB)	15	24	34	60	60
6	CM (dB)	30	40	45	45	36
	DM (dB)	15	22	28	60	70
10	CM (dB)	20	30	34	56	50
	DM (dB)	15	22	28	56	60