

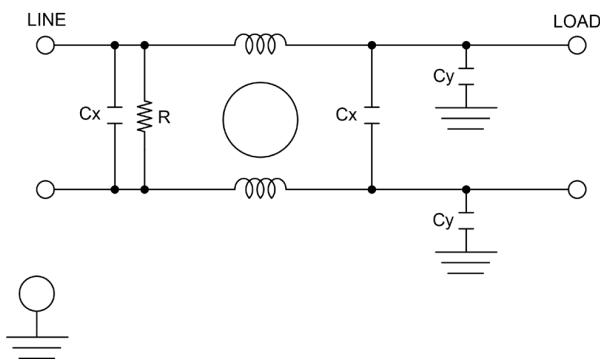
RP120

MEDIUM - HIGH PERFORMANCE SINGLE STAGE POWER LINE FILTER

FEATURES

- » Rated currents include **10A, 16A, 20A, 30A, 40A and 50A**
- » Single Stage Line Filter
- » Available with **QD** Tabs, **W** (wireleads), **S** (studs), and **C** (Connectors) option
- » Medium - High Performance
- » Agency Approved to UL1283/60929, CSA C22.2, EN 60939
- » Y-cap value can be adjusted to fit specifications

ELECTRICAL SCHEMATIC



HOW TO ORDER

RP120-X-Y-Z

- Z = TERMINAL (-T)
- Y = Y-CAP, NF
- X = RATED CURRENT
- RP120 = FILTER SERIES

NOTE: USE ANY COMBINATION OF -X (AMPS) WITH ANY -Y RATINGS
E.G. **RP120-20-.47-QD** (20AMPS WITH .47 NF YCAP)

For **X, Y** and **Z** options see product specification table.



SPECIFICATIONS

| | |
|-------------------------|--|
| OPERATING FREQUENCY | 50/60Hz |
| USABLE FREQUENCY | DC - 400 Hz |
| MAX. OPERATING VOLTAGE* | 250V +10% |
| AMBIENT TEMPERATURE | -25 TO 40°C |
| CLIMATIC CATEGORY | 25/100/21 |
| TERMINALS (-T) | QD: 0.25 TABS WIRE LEADS S: 20A & 30A (M4) CONNECTORS |

TYP. WEIGHT, LBS (KG) 0.4 (0.2)

TYPICAL LEAKAGE CURRENT

| | |
|-----------------|-------------------|
| @ 250 VAC 50 Hz | 0 - 15.75 mA Max. |
| @ 120 VAC 60 Hz | 0 - 9.04 mA Max. |

HIPOT RATINGS

LINE TO GROUND 2700 VDC

TYPICAL APPLICATIONS

- ✓ Household Appliances
- ✓ Industrial Equipment
- ✓ Medical Devices
- ✓ Communication systems
- ✓ Consumer Electronics
- ✓ Office Automation Devices
- ✓ Data Processing Systems

RP120

MEDIUM - HIGH PERFORMANCE SINGLE STAGE POWER LINE FILTER

| MODEL NO. | RATED CURRENT, A @ 40° C | Y-CAP, nF | LEAKAGE CURRENT, mA @ 250V AC, 50 Hz / @ 120V AC, 60 Hz | | TERMINAL OPTIONS | | | | MAX. DIMENSIONS" (MM) | | |
|-----------------|--------------------------|-----------|---|------|--------------------|-------------------|-------------------|-------------------|-----------------------|------------|------------|
| | | | | | (QD) IN/ OUTPUT | (W) IN/ OUTPUT | (S) IN/ OUTPUT | (C) IN/ OUTPUT | WIDTH | (LENGTH) | HEIGHT |
| RP120-10-0-QD | 10 | 0 | - | - | ✓ | | | | 2.05" (52) | 3.54" (90) | 1.61" (41) |
| RP120-10-0-W | 10 | 0 | - | - | | ✓ | | | 2.05" (52) | 3.35" (85) | 1.61" (41) |
| RP120-10-47-QD | 10 | 0.47 | 0.07 | 0.04 | ✓ | | | | 2.05" (52) | 3.54" (90) | 1.61" (41) |
| RP120-10-47-W | 10 | 0.47 | 0.07 | 0.04 | | ✓ | | | 2.05" (52) | 3.35" (85) | 1.61" (41) |
| RP120-10-1-QD | 10 | 1 | 0.15 | 0.09 | ✓ | | | | 2.05" (52) | 3.54" (90) | 1.61" (41) |
| RP120-10-1-W | 10 | 1 | 0.15 | 0.09 | | ✓ | | | 2.05" (52) | 3.35" (85) | 1.61" (41) |
| RP120-10-2.2-QD | 10 | 2.2 | 0.34 | 0.19 | ✓ | | | | 2.05" (52) | 3.54" (90) | 1.61" (41) |
| RP120-10-2.2-W | 10 | 2.2 | 0.34 | 0.19 | | ✓ | | | 2.05" (52) | 3.35" (85) | 1.61" (41) |
| RP120-10-4.7-QD | 10 | 4.7 | 0.73 | 0.42 | ✓ | | | | 2.05" (52) | 3.54" (90) | 1.61" (41) |
| RP120-10-4.7-W | 10 | 4.7 | 0.73 | 0.42 | | ✓ | | | 2.05" (52) | 3.35" (85) | 1.61" (41) |
| RP120-10-10-QD | 10 | 10 | 1.57 | 0.90 | ✓ | | | | 2.05" (52) | 3.54" (90) | 1.61" (41) |
| RP120-10-10-W | 10 | 10 | 1.57 | 0.90 | | ✓ | | | 2.05" (52) | 3.35" (85) | 1.61" (41) |
| RP120-10-22-QD | 10 | 22 | 3.45 | 1.99 | ✓ | | | | 2.05" (52) | 3.54" (90) | 1.61" (41) |
| RP120-10-22-W | 10 | 22 | 3.45 | 1.99 | | ✓ | | | 2.05" (52) | 3.35" (85) | 1.61" (41) |
| RP120-10-100-QD | 10 | 100 | 15.70 | 9.04 | ✓ | | | | 2.05" (52) | 3.54" (90) | 1.61" (41) |
| RP120-10-100-W | 10 | 100 | 15.70 | 9.04 | | ✓ | | | 2.05" (52) | 3.35" (85) | 1.61" (41) |
| RP120-16-0-QD | 16 | 0 | - | - | ✓ | | | | 2.05" (52) | 3.54" (90) | 1.61" (41) |
| RP120-16-0-W | 16 | 0 | - | - | | ✓ | | | 2.05" (52) | 3.35" (85) | 1.61" (41) |
| RP120-16-47-QD | 16 | 0.47 | 0.07 | 0.04 | ✓ | | | | 2.05" (52) | 3.54" (90) | 1.61" (41) |
| RP120-16-47-W | 16 | 0.47 | 0.07 | 0.04 | | ✓ | | | 2.05" (52) | 3.35" (85) | 1.61" (41) |
| RP120-16-1-QD | 16 | 1 | 0.15 | 0.09 | ✓ | | | | 2.05" (52) | 3.54" (90) | 1.61" (41) |
| RP120-16-1-W | 16 | 1 | 0.15 | 0.09 | | ✓ | | | 2.05" (52) | 3.35" (85) | 1.61" (41) |
| RP120-16-2.2-QD | 16 | 2.2 | 0.34 | 0.19 | ✓ | | | | 2.05" (52) | 3.54" (90) | 1.61" (41) |
| RP120-16-2.2-W | 16 | 2.2 | 0.34 | 0.19 | | ✓ | | | 2.05" (52) | 3.35" (85) | 1.61" (41) |
| RP120-16-4.7-QD | 16 | 4.7 | 0.73 | 0.42 | ✓ | | | | 2.05" (52) | 3.54" (90) | 1.61" (41) |
| RP120-16-4.7-W | 16 | 4.7 | 0.73 | 0.42 | | ✓ | | | 2.05" (52) | 3.35" (85) | 1.61" (41) |
| RP120-16-10-QD | 16 | 10 | 1.57 | 0.90 | ✓ | | | | 2.05" (52) | 3.54" (90) | 1.61" (41) |
| RP120-16-10-W | 16 | 10 | 1.57 | 0.90 | | ✓ | | | 2.05" (52) | 3.35" (85) | 1.61" (41) |
| RP120-16-22-QD | 16 | 22 | 3.45 | 1.99 | ✓ | | | | 2.05" (52) | 3.54" (90) | 1.61" (41) |
| RP120-16-22-W | 16 | 22 | 3.45 | 1.99 | | ✓ | | | 2.05" (52) | 3.35" (85) | 1.61" (41) |
| RP120-16-100-QD | 16 | 100 | 15.70 | 9.04 | ✓ | | | | 2.05" (52) | 3.54" (90) | 1.61" (41) |
| RP120-16-100-W | 16 | 100 | 15.70 | 9.04 | | ✓ | | | 2.05" (52) | 3.35" (85) | 1.61" (41) |
| RP120-20-0-QD | 20 | 0 | - | - | ✓ | | | | 2.05" (52) | 3.54" (90) | 1.61" (41) |
| RP120-20-0-S | 20 | 0 | - | - | | | ✓ | | * | * | * |
| RP120-20-0-W | 20 | 0 | - | - | | ✓ | | | 2.05" (52) | 3.35" (85) | 1.61" (41) |

ADDITIONAL MODEL NO. >>

RP120

MEDIUM - HIGH PERFORMANCE SINGLE STAGE POWER LINE FILTER

| MODEL NO. | RATED CURRENT, A @ 40° C | Y-CAP, nF | LEAKAGE CURRENT, mA @ 250V AC, 50 Hz / @ 120V AC, 60 Hz | | TERMINAL OPTIONS | | | | MAX. DIMENSIONS" (MM) | | |
|-----------------|--------------------------|-----------|---|------|--------------------|-------------------|-------------------|-------------------|-----------------------|---------------|------------|
| | | | | | (QD) IN/ OUTPUT | (W) IN/ OUTPUT | (S) IN/ OUTPUT | (C) IN/ OUTPUT | WIDTH | (LENGTH) | HEIGHT |
| RP120-20-47-QD | 20 | 0.47 | 0.07 | 0.04 | ✓ | | | | 2.05" (52) | 3.54" (90) | 1.61" (41) |
| RP120-20-47-S | 20 | 0.47 | 0.07 | 0.04 | | | ✓ | | * | * | * |
| RP120-20-47-W | 20 | 0.47 | 0.07 | 0.04 | | ✓ | | | 2.05" (52) | 3.35" (85) | 1.61" (41) |
| RP120-20-1-QD | 20 | 1 | 0.15 | 0.09 | ✓ | | | | 2.05" (52) | 3.54" (90) | 1.61" (41) |
| RP120-20-1-S | 20 | 1 | 0.15 | 0.09 | | | ✓ | | * | * | * |
| RP120-20-1-W | 20 | 1 | 0.15 | 0.09 | | ✓ | | | 2.05" (52) | 3.35" (85) | 1.61" (41) |
| RP120-20-2.2-QD | 20 | 2.2 | 0.34 | 0.19 | ✓ | | | | 2.05" (52) | 3.54" (90) | 1.61" (41) |
| RP120-20-2.2-S | 20 | 2.2 | 0.34 | 0.19 | | | ✓ | | * | * | * |
| RP120-20-2.2-W | 20 | 2.2 | 0.34 | 0.19 | | ✓ | | | 2.05" (52) | 3.35" (85) | 1.61" (41) |
| RP120-20-4.7-QD | 20 | 4.7 | 0.73 | 0.42 | ✓ | | | | 2.05" (52) | 3.54" (90) | 1.61" (41) |
| RP120-20-4.7-S | 20 | 4.7 | 0.73 | 0.42 | | | ✓ | | * | * | * |
| RP120-20-4.7-W | 20 | 4.7 | 0.73 | 0.42 | | ✓ | | | 2.05" (52) | 3.35" (85) | 1.61" (41) |
| RP120-20-10-QD | 20 | 10 | 1.57 | 0.90 | ✓ | | | | 2.05" (52) | 3.54" (90) | 1.61" (41) |
| RP120-20-10-S | 20 | 10 | 1.57 | 0.90 | | | ✓ | | * | * | * |
| RP120-20-10-W | 20 | 10 | 1.57 | 0.90 | | ✓ | | | 2.05" (52) | 3.35" (85) | 1.61" (41) |
| RP120-20-22-QD | 20 | 22 | 3.45 | 1.99 | ✓ | | | | 2.05" (52) | 3.54" (90) | 1.61" (41) |
| RP120-20-22-S | 20 | 22 | 3.45 | 1.99 | | | ✓ | | * | * | * |
| RP120-20-22-W | 20 | 22 | 3.45 | 1.99 | | ✓ | | | 2.05" (52) | 3.35" (85) | 1.61" (41) |
| RP120-20-100-QD | 20 | 100 | 15.70 | 9.04 | ✓ | | | | 2.05" (52) | 3.54" (90) | 1.61" (41) |
| RP120-20-100-S | 20 | 100 | 15.70 | 9.04 | | | ✓ | | * | * | * |
| RP120-20-100-W | 20 | 100 | 15.70 | 9.04 | | ✓ | | | 2.05" (52) | 3.35" (85) | 1.61" (41) |
| RP120-30-0-C | 30 | 0 | - | - | | | | ✓ | * | * | * |
| RP120-30-0-S | 30 | 0 | - | - | | | ✓ | | 4.13" (105) | 5.30" (134.5) | 1.54" (39) |
| RP120-30-0-W | 30 | 0 | - | - | | ✓ | | | * | * | * |
| RP120-30-47-C | 30 | 0.47 | 0.07 | 0.04 | | | | ✓ | * | * | * |
| RP120-30-47-S | 30 | 0.47 | 0.07 | 0.04 | | | ✓ | | 4.13" (105) | 5.30" (134.5) | 1.54" (39) |
| RP120-30-47-W | 30 | 0.47 | 0.07 | 0.04 | | ✓ | | | * | * | * |
| RP120-30-1-C | 30 | 1 | 0.15 | 0.09 | | | | ✓ | * | * | * |
| RP120-30-1-S | 30 | 1 | 0.15 | 0.09 | | | ✓ | | 4.13" (105) | 5.30" (134.5) | 1.54" (39) |
| RP120-30-1-W | 30 | 1 | 0.15 | 0.09 | | ✓ | | | * | * | * |
| RP120-30-2.2-C | 30 | 2.2 | 0.34 | 0.19 | | | | ✓ | * | * | * |
| RP120-30-2.2-S | 30 | 2.2 | 0.34 | 0.19 | | | ✓ | | 4.13" (105) | 5.30" (134.5) | 1.54" (39) |
| RP120-30-2.2-W | 30 | 2.2 | 0.34 | 0.19 | | ✓ | | | * | * | * |
| RP120-30-4.7-C | 30 | 4.7 | 0.73 | 0.42 | | | | ✓ | * | * | * |
| RP120-30-4.7-S | 30 | 4.7 | 0.73 | 0.42 | | | ✓ | | 4.13" (105) | 5.30" (134.5) | 1.54" (39) |

ADDITIONAL MODEL NO. >>

RP120

MEDIUM - HIGH PERFORMANCE SINGLE STAGE POWER LINE FILTER

| MODEL NO. | RATED CURRENT, A @ 40° C | Y-CAP, nF | LEAKAGE CURRENT, mA @ 250V AC, 50 Hz / @ 120V AC, 60 Hz | | TERMINAL OPTIONS | | | | MAX. DIMENSIONS" (MM) | | |
|----------------|--------------------------|-----------|---|------|--------------------|-------------------|-------------------|-------------------|-----------------------|--------------|-----------|
| | | | | | (QD) IN/ OUTPUT | (W) IN/ OUTPUT | (S) IN/ OUTPUT | (C) IN/ OUTPUT | WIDTH | (LENGTH) | HEIGHT |
| RP120-30-4.7-W | 30 | 4.7 | 0.73 | 0.42 | | ✓ | | | * | * | * |
| RP120-30-10-C | 30 | 10 | 1.57 | 0.90 | | | | ✓ | * | * | * |
| RP120-30-10-S | 30 | 10 | 1.57 | 0.90 | | | ✓ | | 4.13"(105) | 5.30"(134.5) | 1.54"(39) |
| RP120-30-10-W | 30 | 10 | 1.57 | 0.90 | ✓ | | | | * | * | * |
| RP120-30-22-C | 30 | 22 | 3.45 | 1.99 | | | | ✓ | * | * | * |
| RP120-30-22-S | 30 | 22 | 3.45 | 1.99 | | | ✓ | | 4.13"(105) | 5.30"(134.5) | 1.54"(39) |
| RP120-30-22-W | 30 | 22 | 3.45 | 1.99 | ✓ | | | | * | * | * |
| RP120-30-100-C | 30 | 100 | 15.70 | 9.04 | | | | ✓ | * | * | * |
| RP120-30-100-S | 30 | 100 | 15.70 | 9.04 | | | ✓ | | 4.13"(105) | 5.30"(134.5) | 1.54"(39) |
| RP120-30-100-W | 30 | 100 | 15.70 | 9.04 | ✓ | | | | * | * | * |
| RP120-40-0-C | 40 | 0 | - | - | | | | ✓ | * | * | * |
| RP120-40-0-S | 40 | 0 | - | - | | | ✓ | | 4.13"(105) | 5.30"(134.5) | 1.54"(39) |
| RP120-40-0-W | 40 | 0 | - | - | ✓ | | | | * | * | * |
| RP120-40-47-C | 40 | 0.47 | 0.07 | 0.04 | | | | ✓ | * | * | * |
| RP120-40-47-S | 40 | 0.47 | 0.07 | 0.04 | | | ✓ | | 4.13"(105) | 5.30"(134.5) | 1.54"(39) |
| RP120-40-47-W | 40 | 0.47 | 0.07 | 0.04 | ✓ | | | | * | * | * |
| RP120-40-1-C | 40 | 1 | 0.15 | 0.09 | | | | ✓ | * | * | * |
| RP120-40-1-S | 40 | 1 | 0.15 | 0.09 | | | ✓ | | 4.13"(105) | 5.30"(134.5) | 1.54"(39) |
| RP120-40-1-W | 40 | 1 | 0.15 | 0.09 | ✓ | | | | * | * | * |
| RP120-40-2.2-C | 40 | 2.2 | 0.34 | 0.19 | | | | ✓ | * | * | * |
| RP120-40-2.2-S | 40 | 2.2 | 0.34 | 0.19 | | | ✓ | | 4.13"(105) | 5.30"(134.5) | 1.54"(39) |
| RP120-40-2.2-W | 40 | 2.2 | 0.34 | 0.19 | ✓ | | | | * | * | * |
| RP120-40-4.7-C | 40 | 4.7 | 0.73 | 0.42 | | | | ✓ | * | * | * |
| RP120-40-4.7-S | 40 | 4.7 | 0.73 | 0.42 | | | ✓ | | 4.13"(105) | 5.30"(134.5) | 1.54"(39) |
| RP120-40-4.7-W | 40 | 4.7 | 0.73 | 0.42 | ✓ | | | | * | * | * |
| RP120-40-10-C | 40 | 10 | 1.57 | 0.90 | | | | ✓ | * | * | * |
| RP120-40-10-S | 40 | 10 | 1.57 | 0.90 | | | ✓ | | 4.13"(105) | 5.30"(134.5) | 1.54"(39) |
| RP120-40-10-W | 40 | 10 | 1.57 | 0.90 | ✓ | | | | * | * | * |
| RP120-40-22-C | 40 | 22 | 3.45 | 1.99 | | | | ✓ | * | * | * |
| RP120-40-22-S | 40 | 22 | 3.45 | 1.99 | | | ✓ | | 4.13"(105) | 5.30"(134.5) | 1.54"(39) |
| RP120-40-22-W | 40 | 22 | 3.45 | 1.99 | ✓ | | | | * | * | * |
| RP120-40-100-C | 40 | 100 | 15.70 | 9.04 | | | | ✓ | * | * | * |
| RP120-40-100-S | 40 | 100 | 15.70 | 9.04 | | | ✓ | | 4.13"(105) | 5.30"(134.5) | 1.54"(39) |
| RP120-40-100-W | 40 | 100 | 15.70 | 9.04 | ✓ | | | | * | * | * |

ADDITIONAL MODEL NO. >>

RP120

MEDIUM - HIGH PERFORMANCE SINGLE STAGE POWER LINE FILTER

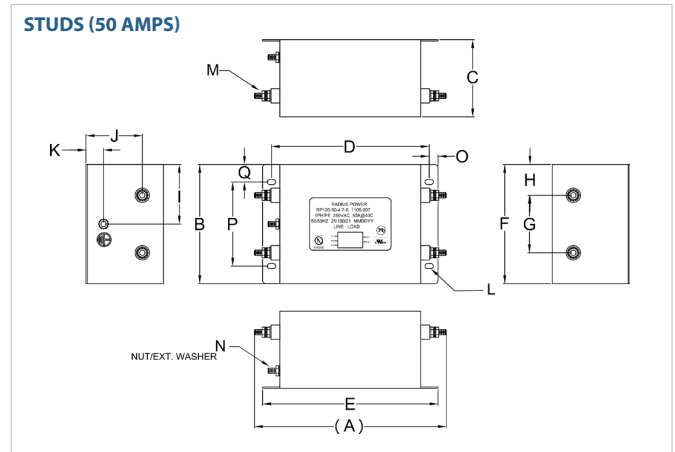
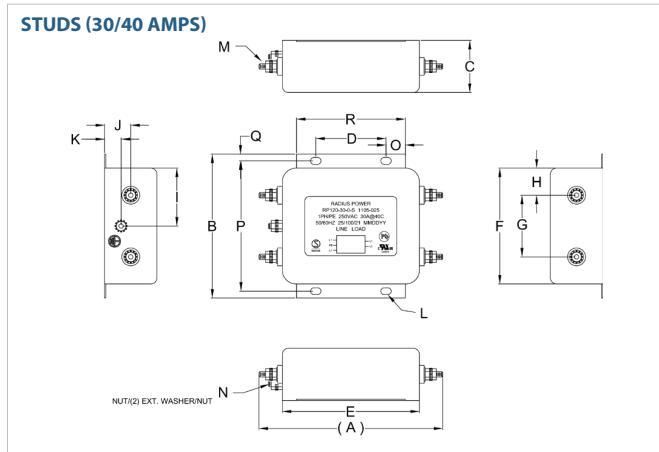
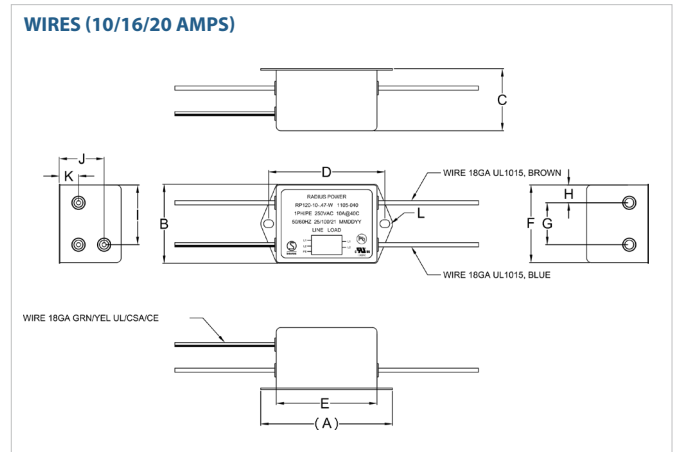
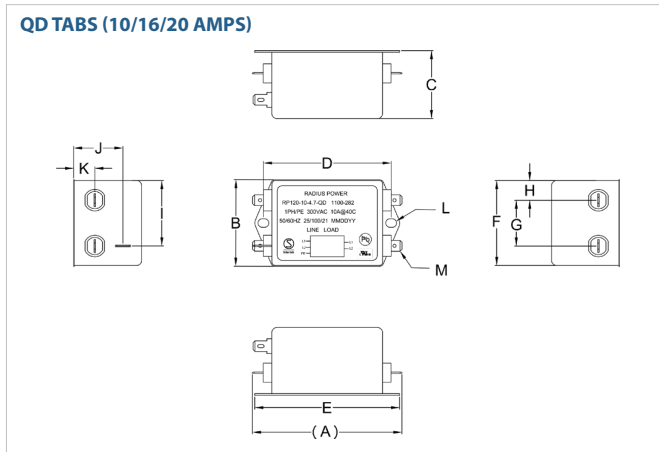
| MODEL NO. | RATED CURRENT, A @ 40° C | Y-CAP, nF | LEAKAGE CURRENT, mA @ 250V AC, 50 Hz / @ 120V AC, 60 Hz | | TERMINAL OPTIONS | | | | MAX. DIMENSIONS" (MM) | | |
|----------------|--------------------------|-----------|---|------|--------------------|-------------------|-------------------|-------------------|-----------------------|------------|-------------|
| | | | | | (QD) IN/ OUTPUT | (W) IN/ OUTPUT | (S) IN/ OUTPUT | (C) IN/ OUTPUT | WIDTH | (LENGTH) | HEIGHT |
| RP120-50-0-C | 50 | 0 | - | - | | | | ✓ | * | * | * |
| RP120-50-0-S | 50 | 0 | - | - | | | ✓ | | 4.25"(108) | 6.81"(173) | 2.75"(69.9) |
| RP120-50-0-W | 50 | 0 | - | - | ✓ | | | | * | * | * |
| RP120-50-47-C | 50 | 0.47 | 0.07 | 0.04 | | | | ✓ | * | * | * |
| RP120-50-47-S | 50 | 0.47 | 0.07 | 0.04 | | | ✓ | | 4.25"(108) | 6.81"(173) | 2.75"(69.9) |
| RP120-50-47-W | 50 | 0.47 | 0.07 | 0.04 | ✓ | | | | * | * | * |
| RP120-50-1-C | 50 | 1 | 0.15 | 0.09 | | | | ✓ | * | * | * |
| RP120-50-1-S | 50 | 1 | 0.15 | 0.09 | | | ✓ | | 4.25"(108) | 6.81"(173) | 2.75"(69.9) |
| RP120-50-1-W | 50 | 1 | 0.15 | 0.09 | ✓ | | | | * | * | * |
| RP120-50-2.2-C | 50 | 2.2 | 0.34 | 0.19 | | | | ✓ | * | * | * |
| RP120-50-2.2-S | 50 | 2.2 | 0.34 | 0.19 | | | | | 4.25"(108) | 6.81"(173) | 2.75"(69.9) |
| RP120-50-2.2-W | 50 | 2.2 | 0.34 | 0.19 | ✓ | | | | * | * | * |
| RP120-50-4.7-C | 50 | 4.7 | 0.73 | 0.42 | | | | ✓ | * | * | * |
| RP120-50-4.7-S | 50 | 4.7 | 0.73 | 0.42 | | | | | 4.25"(108) | 6.81"(173) | 2.75"(69.9) |
| RP120-50-4.7-W | 50 | 4.7 | 0.73 | 0.42 | ✓ | | | | * | * | * |
| RP120-50-10-C | 50 | 10 | 1.57 | 0.90 | | | | ✓ | * | * | * |
| RP120-50-10-S | 50 | 10 | 1.57 | 0.90 | | | | | 4.25"(108) | 6.81"(173) | 2.75"(69.9) |
| RP120-50-10-W | 50 | 10 | 1.57 | 0.90 | ✓ | | | | * | * | * |
| RP120-50-22-C | 50 | 22 | 3.45 | 1.99 | | | | ✓ | * | * | * |
| RP120-50-22-S | 50 | 22 | 3.45 | 1.99 | | | ✓ | | 4.25"(108) | 6.81"(173) | 2.75"(69.9) |
| RP120-50-22-W | 50 | 22 | 3.45 | 1.99 | ✓ | | | | * | * | * |
| RP120-50-100-C | 50 | 100 | 15.70 | 9.04 | | | | ✓ | * | * | * |
| RP120-50-100-S | 50 | 100 | 15.70 | 9.04 | | | ✓ | | 4.25"(108) | 6.81"(173) | 2.75"(69.9) |
| RP120-50-100-W | 50 | 100 | 15.70 | 9.04 | ✓ | | | | * | * | * |

*Contact factory for dimensions.

RP120

MEDIUM - HIGH PERFORMANCE SINGLE STAGE POWER LINE FILTER

RP120 MECHANICAL OUTLINES (MM)



| SERIES | (A) | B | C | D | E | F | G | H | I | J | K | L | M | N | O | P | Q | |
|-----------------------|------------------|----------------|-----------------|----------------|------------------|-----------------|---------------|-----------------|-----------------|-----------------|-----------------|------------------------------------|-----------------------------------|------------------|---------------|-----------------|-----------------|---------------|
| QD TABS | 3.54" (90) | 2.05" (52) | 1.61" (41) | 2.95" (75) | 3.35" (85) | 2.01" (51) | 1.06" (27) | 0.45" (11.5) | 1.56" (39.5) | 1.14" (29) | 0.49" (12.5) | Ø 0.25"x5.1, 2x (Ø 6.4x5.1, 2x) | 0.25", 5x (QD, MALE, 6.35, 5x) | N/A | N/A | N/A | N/A | N/A |
| WIRES | 3.35" (85) | 2.05" (52) | 1.61" (41) | 2.95" (75) | 3.60" (66) | 2.01" (51) | 1.06" (27) | 0.45" (11.5) | 1.56" (39.5) | 1.14" (29) | 0.49" (12.5) | Ø 0.25"x5.1, 2x (Ø 6.4x5.1, 2x) | N/A | N/A | N/A | N/A | N/A | N/A |
| STUDS (30/40A) | 5.30" (134.5) | 4.13" (105) | 1.54" (39) | 2.01" (51) | 3.96" (100.5) | 3.37" (85.5) | 1.77" (45) | 0.78" (19.8) | 1.67" (42.3) | 0.75" (19) | 0.47" (12) | Ø 0.29"x5.0, 4x (Ø 7.6x5.0, 4x) | STUD M4, 4x | STUD GND M4 | 0.55" (14) | 3.74" (95) | 0.20" (5) | 3.11" (79) |
| STUDS (50A) | 6.81" (173) | 4.25" (108) | 2.75" (69.9) | 5.59" (142) | 6.22" (158.1) | 4.25" (108) | 2.05" (52) | 1.10" (27.9) | 2.13" (54) | 2.00" (50.8) | 0.63" (15.9) | Ø 0.29"x5.0, 4x (Ø 7.6x4.6, 4x) | STUD, M5, 4x | STUD, GND, M5 | 0.31" (8) | 3.00" (76.2) | 0.63" (15.9) | N/A |

TYPICAL TOLERANCE: +/-0.02" (0.50MM)

RP120

MEDIUM - HIGH PERFORMANCE SINGLE STAGE POWER LINE FILTER

TYPICAL INSERTION LOSS, dB (50/50 Ohm)

| Amps | Freq (MHz) | 0.15 | 0.5 | 1.0 | 10 | 30 |
|------|------------|------|-----|-----|----|----|
| 10 | CM (dB) | 40 | 55 | 65 | 65 | 60 |
| | DM (dB) | 50 | 70 | 70 | 75 | 70 |
| 16 | CM (dB) | 34 | 50 | 60 | 60 | 55 |
| | DM (dB) | 44 | 70 | 70 | 68 | 64 |
| 20 | CM (dB) | 20 | 28 | 34 | 55 | 60 |
| | DM (dB) | 34 | 60 | 60 | 60 | 60 |
| 30 | CM (dB) | 15 | 34 | 40 | 55 | 55 |
| | DM (dB) | 30 | 65 | 65 | 60 | 60 |
| 40 | CM (dB) | 15 | 24 | 30 | 55 | 55 |
| | DM (dB) | 30 | 65 | 65 | 60 | 60 |
| 50 | CM (dB) | 24 | 32 | 50 | 60 | 60 |
| | DM (dB) | 40 | 65 | 65 | 60 | 60 |