

# 3BH

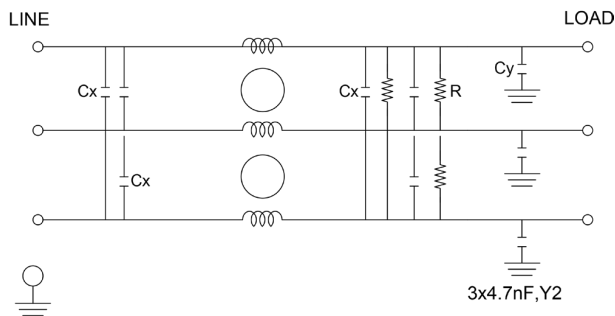
## HIGH VOLTAGE 3-PHASE POWER FILTER

### FEATURES

- » Rated currents include **15A, 30A, 45A, 60A, 100A, 150A and 200A**
- » Single Stage Line Filter
- » Available with **S** (studs) option
- » High Voltage Design
- » Low Profile Case & Flange Mount Available
- » Agency Approved to UL E78081, CSA LR53652 and TUV
- » Y-cap value can be adjusted to fit specification

### ELECTRICAL SCHEMATIC

#### DELTA - SUFFIX "D"

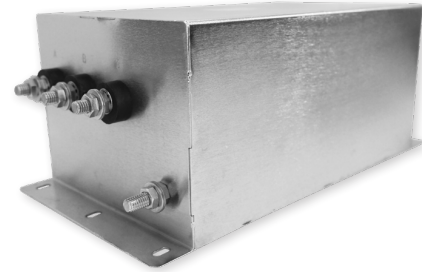


### HOW TO ORDER

3BH30D LF



**NOTE:** USE ANY COMBINATION OF -X (AMPS) WITH ANY -Y RATINGS  
E.G. **3BH30D LF** (30 AMPS, DELTA, LOW PROFILE CASE, FLANGE MOUNT)



### SPECIFICATIONS

OPERATING FREQUENCY	50/60Hz
MAX. OPERATING VOLTAGE	480VAC +10%
TERMINALS (-T)	STUDS: 10-32(15-45A), 5/16-18 (100A), 3/8-16 (150A)
TYP. WEIGHT, LBS (KG)	2.90 - 25 (1.31 - 11.33)

#### TYPICAL LEAKAGE CURRENT

@ 480 VAC 60 Hz                      0 - 3.0 mA Max.

#### HIPOT RATINGS

LINE TO GROUND                      3200 VDC - 3400 VDC

### TYPICAL APPLICATIONS

- ✓ High Power Rectifiers
- ✓ Uninterrupted Power Supplies
- ✓ Processing Equipment
- ✓ Alternative Energy (EV Charging & Solar)
- ✓ Factory Machinery

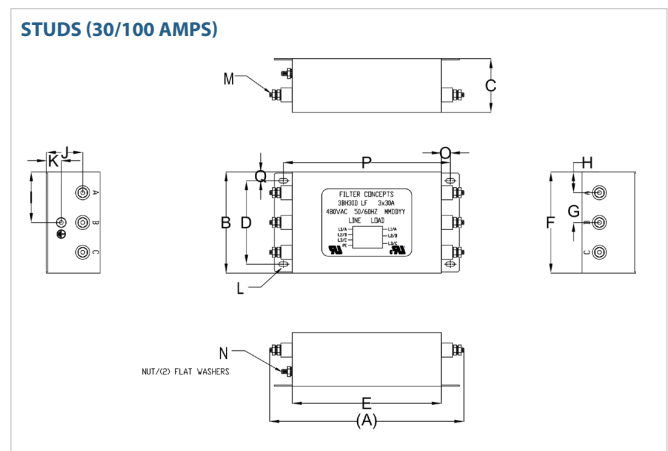
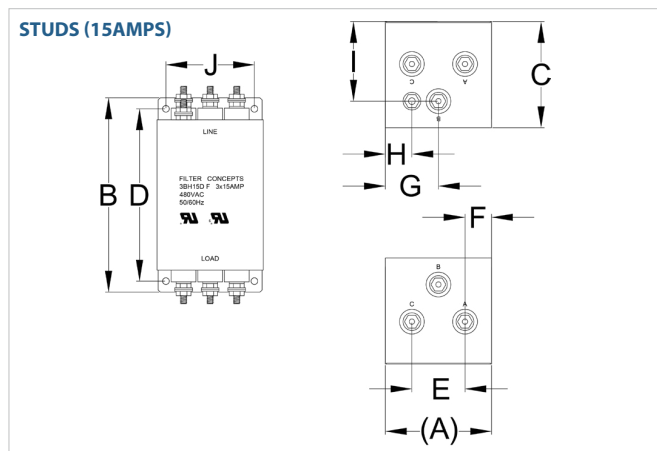
# 3BH

## HIGH VOLTAGE 3-PHASE POWER FILTER

MODEL NO.	RATED CURRENT (A) @ 40° C	Y-CAP, nF	LEAKAGE CURRENT, mA @ 480V AC/60 Hz	TERMINAL OPTIONS		MAX. DIMENSIONS" (MM)		
				(QD)INPUT/ OUTPUT	(S) INPUT/ OUTPUT	WIDTH	(LENGTH)	HEIGHT
3BH15D	15	*	3.0	*	*	3.00"(76)	5.50"(140)	3.00"(76)
3BH15D F	15	3x.01µF	3.0		✓	3.00"(76)	5.50"(140)	3.00"(76)
3BH15D L	15	*	3.0	*	*	3.00"(76)	5.50"(140)	3.00"(76)
3BH30	30	*	3.0	*	*	4.25"(108)	8.14"(207)	2.25"(57)
3BH30D	30	*	3.0	*	*	4.25"(108)	8.14"(207)	2.25"(57)
3BH30D L	30	*	3.0	*	*	4.25"(108)	8.14"(207)	2.25"(57)
3BH30D LF	30	3x.01µF	3.0		✓	4.25"(108)	8.14"(207)	2.25"(57)
3BH45	45	*	3.0	*	*	2.67"(68)	5.75"(146)	2.67"(68)
3BH45D	45	*	3.0	*	*	2.67"(68)	5.75"(146)	2.67"(68)
3BH45D F	45	3x.01µF	3.0		✓	2.67"(68)	5.75"(146)	2.67"(68)
3BH45D L	45	*	3.0	*	*	2.67"(68)	5.75"(146)	2.67"(68)
3BH60	60	*	3.0	*	*	5.00"(127)	9.60"(244)	4.75"(121)
3BH60D	60	*	3.0	*	*	5.00"(127)	9.60"(244)	4.75"(121)
3BH100	100	*	3.0	*	*	6.50"(165)	12.30"(312)	4.75"(121)
3BH100D	100	*	3.0	*	*	6.50"(165)	12.30"(312)	4.75"(121)
3BH100D F	100	3x.00047µF/3x.01µF	3.0		✓	6.50"(165)	12.30"(312)	4.75"(121)
3BH150	150	*	3.0	*	*	7.50"(165)	14.80"(312)	5.75"(121)
3BH150D	150	*	3.0	*	*	7.50"(165)	14.80"(312)	5.75"(121)
3BH150D F	150	3x.00047µF/3x.01µF	3.0		✓	7.50"(165)	14.80"(312)	5.75"(121)
3BH200	200	*	3.0	*	*	8.50"(312)	14.50"(165)	6.75"(121)
3BH200D	200	*	3.0	*	*	8.50"(312)	14.50"(165)	6.75"(121)

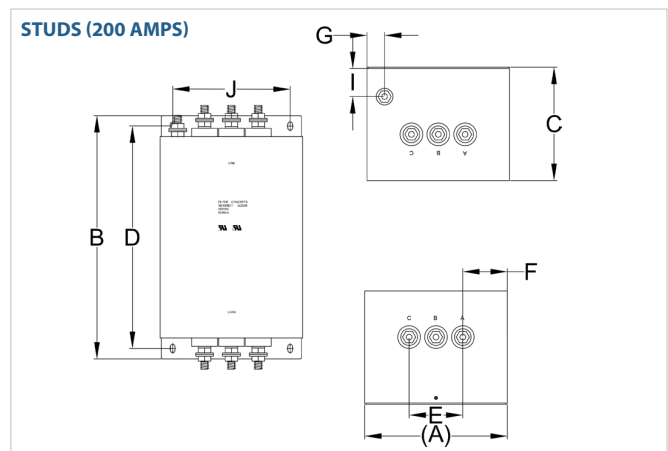
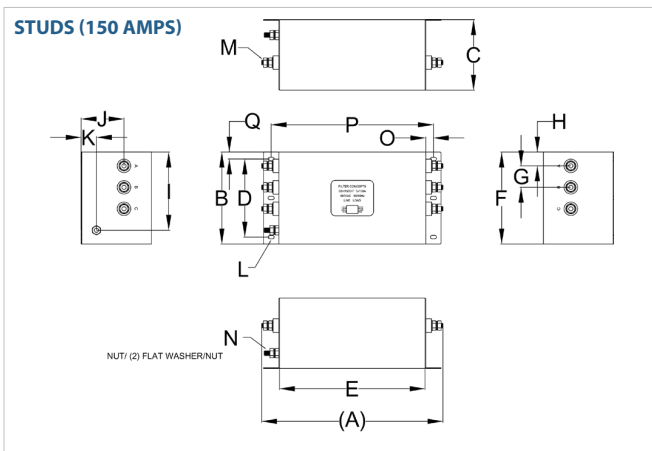
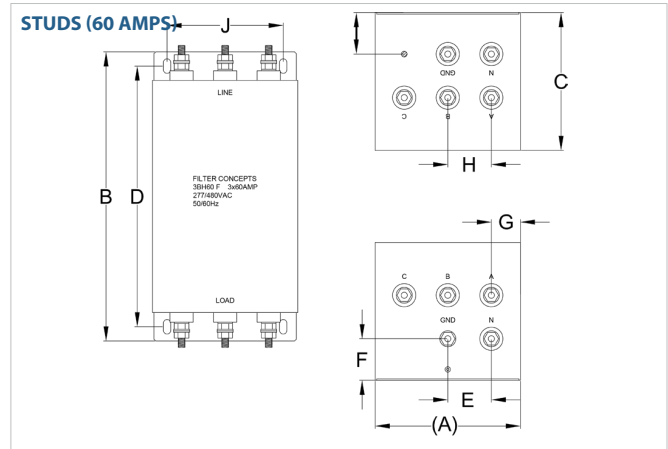
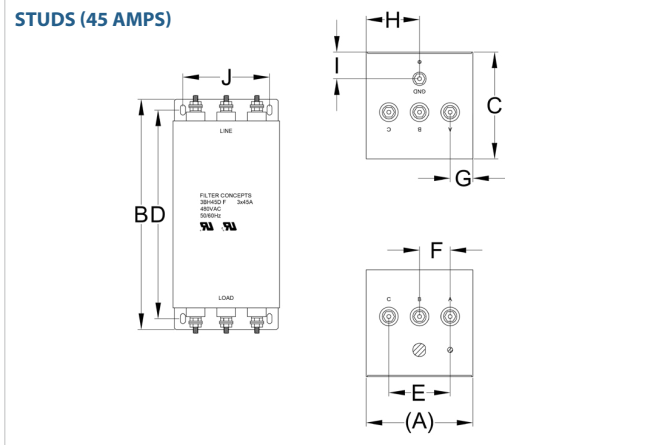
\*Contact factory for dimensions.

### 3BH MECHANICAL OUTLINES (MM)



# 3BH

## HIGH VOLTAGE 3-PHASE POWER FILTER



SERIES	(A)	B	C	D	E	F	G	H	I	J	K	L	M	N	O	P	Q
<b>15 amps</b>	3.00" (76)	5.50" (140)	3.00" (76)	4.87" (124)	1.50" (38)	0.75" (19)	1.50" (38)	0.75" (19)	2.25" (57)	2.50" (64)	N/A	N/A	N/A	N/A	N/A	N/A	N/A
<b>30 amps</b>	8.14" (207)	4.25" (108)	2.25" (57)	3.50" (89)	7.31" (186)	4.25" (108)	1.25" (32)	0.88" (22)	2.13" (54)	1.52" (39)	0.62" (16)	Ø 0.37"x0.18",4x Ø 9.5x4.8, 4x	STUD, 10-32, 6x	STUD, GND, 10-32	0.38" (10)	7.00" (178)	0.38" (10)
<b>45 amps</b>	2.67" (68)	5.75" (146)	2.67" (68)	5.20" (132)	1.53" (39)	0.77" (20)	0.57" (14)	1.33" (34)	0.67" (17)	2.17" (55)	N/A	N/A	N/A	N/A	N/A	N/A	N/A
<b>60 amps</b>	5.00" (127)	9.60" (244)	4.75" (121)	9.00" (229)	1.50" (38)	1.43" (36)	1.00" (25)	1.50" (38)	1.43" (36)	4.00" (102)	N/A	N/A	N/A	N/A	N/A	N/A	N/A
<b>100 amps</b>	12.30" (312)	6.50" (165)	4.75" (121)	4.25" (108)	10.00" (254)	6.50" (165)	1.50" (38)	1.75" (44)	3.25" (83)	2.93" (74)	1.43" (36)	Ø 0.62"x0.31",4x Ø, 15.8x7.9, 4x	STUD, 5/16, 6x	STUD, GND, 5/16	0.50" (13)	11.02" (280)	1.12" (29)

# 3BH

## HIGH VOLTAGE 3-PHASE POWER FILTER

<b>150 amps</b>	14.80" (312)	7.50" (165)	5.75" (121)	6.37" (108)	11.82" (254)	7.50" (165)	1.75" (38)	1.13" (44)	6.38" (83)	3.50" (74)	1.25" (36)	Ø 11.06x19.68, 4x Ø .281x.500, 4x	STUD 3/8-16, 6x	STUD, GND 3/8-16	0.02" (1)	0.52" (13)	0.02" (1)
<b>200 amps</b>	8.50" (312)	14.50" (165)	6.75" (121)	13.26" (108)	3.20" (254)	2.65" (165)	1.05" (38)	1.73" (44)	1.67" (83)	7.00" (74)	1.43" (36)	N/A	N/A	N/A	N/A	N/A	N/A

TYPICAL TOLERANCE: +/-0.02" (0.50MM)

### TYPICAL INSERTION LOSS, dB (50/50 Ohm)

Amps	Freq (MHz)	0.01	0.15	0.5	1.0	10	30
<b>15</b>	CM (dB)	12	20	50	41	56	64
	DM (dB)	18	18	36	34	53	61
<b>30</b>	CM (dB)	12	20	50	41	56	64
	DM (dB)	18	18	36	34	53	61
<b>45</b>	CM (dB)	12	20	50	41	56	64
	DM (dB)	18	18	36	34	53	61
<b>60</b>	CM (dB)	12	20	50	41	56	64
	DM (dB)	18	18	36	34	53	61
<b>100</b>	CM (dB)	12	20	50	41	56	64
	DM (dB)	18	18	36	34	53	61
<b>150</b>	CM (dB)	12	20	50	41	56	64
	DM (dB)	18	18	36	34	53	61
<b>200</b>	CM (dB)	12	20	50	41	56	64
	DM (dB)	18	18	36	34	53	61