

# 3E

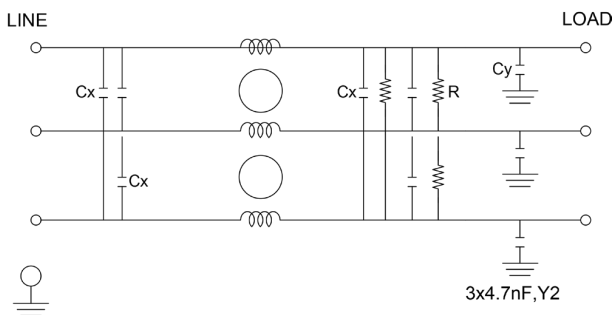
## 3 PHASE SWITCH MODE EMI FILTER

### FEATURES

- » Rated currents include **15A, 20A, 30A, 45A, 60A, 80A, 100A, 150A and 200A**
- » Dual Stage Line Filter
- » Available with **S** (studs) option
- » Switch Mode Design
- » Low Profile Case & Flange Mount Available
- » Agency Approved to UL E78081, CSA LR53652 and TUV
- » Y-cap value can be adjusted to fit specification

### ELECTRICAL SCHEMATIC

#### DELTA - SUFFIX "D"

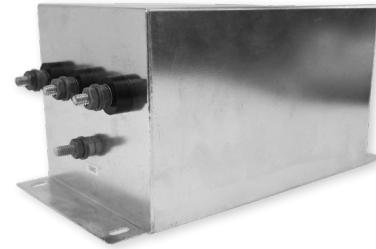


### HOW TO ORDER

3E30 LF



**NOTE:** USE ANY COMBINATION OF -X (AMPS) WITH ANY -Y RATINGS  
E.G. **3E30 LF**(40 AMPS, LOW PROFILE CASE, FLANGE MOUNT)



### SPECIFICATIONS

OPERATING FREQUENCY	50/60Hz
MAX. OPERATING VOLTAGE	250VAC +10%
TERMINALS (-T)	STUDS: 10-32(15-45A), 1/4-20 (60A), 5/16-18 (80-100A), 3/8-16 (150A)
TYP. WEIGHT, LBS (KG)	2.89 - 51 (1.31 - 23.13)

### TYPICAL LEAKAGE CURRENT

@ 250 VAC 50 Hz	0 - 2.4 mA Max.
-----------------	-----------------

### HIPOT RATINGS

LINE TO GROUND	2200 VDC - 3500 VDC
----------------	---------------------

### TYPICAL APPLICATIONS

- ✓ High Power Rectifiers
- ✓ Uninterrupted Power Supplies
- ✓ Processing Equipment
- ✓ Alternative Energy (EV Charging & Solar)
- ✓ Factory Machinery

# 3E

## 3 PHASE SWITCH MODE EMI FILTER

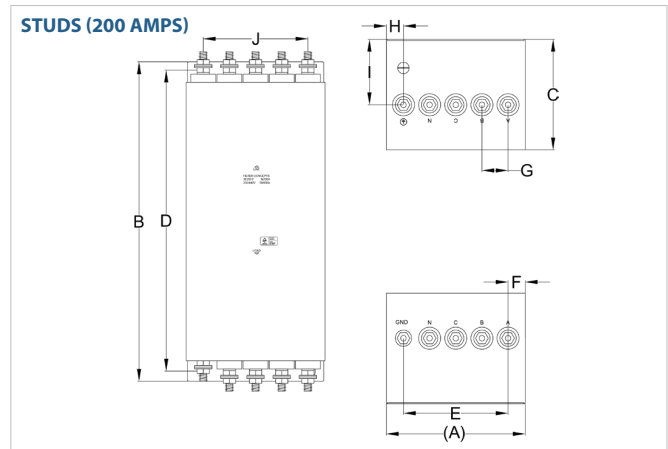
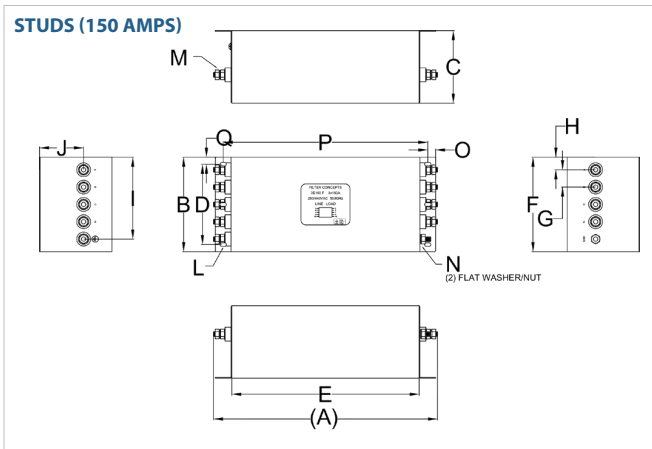
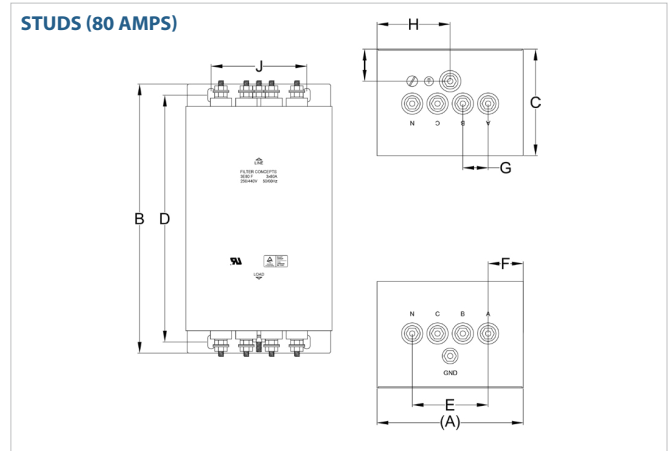
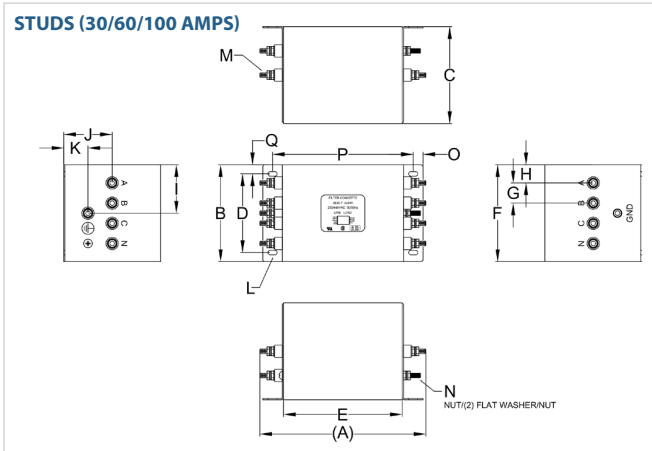
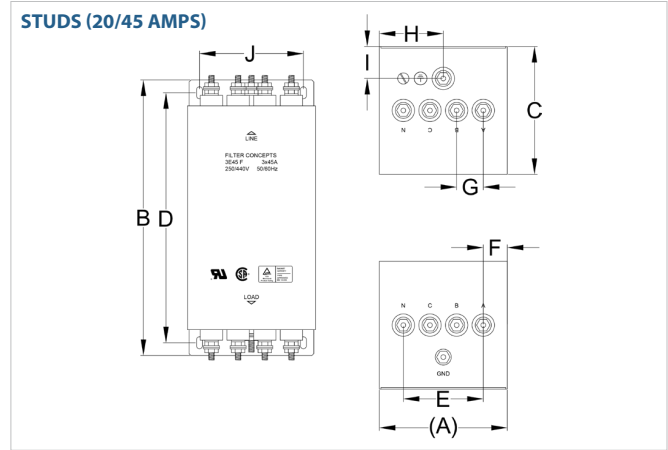
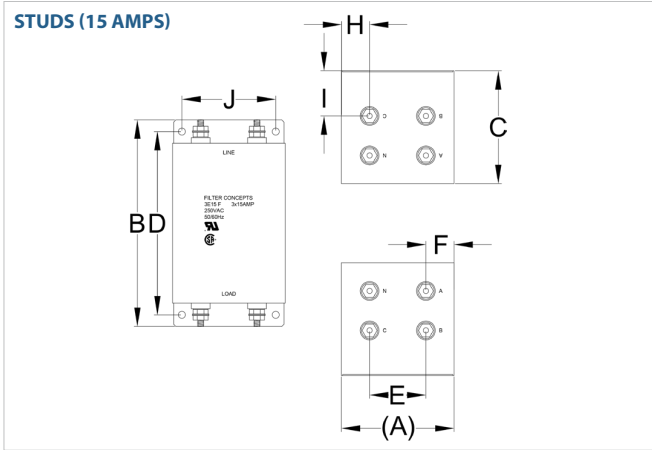
MODEL NO.	RATED CURRENT (A) @ 40° C	Y-CAP, nF	LEAKAGE CURRENT, mA @ 250V AC, 50 Hz	TERMINAL OPTIONS		MAX. DIMENSIONS" (MM)		
				(QD) INPUT/ OUTPUT	(S) INPUT/ OUTPUT	WIDTH	(LENGTH)	HEIGHT
3E15	15	*	1.4	*	*	3.00"(76)	5.49"(139)	3.00"(76)
3E15 F	15	4x.01µF	1.2		✓	3.00"(76)	5.49"(139)	3.00"(76)
3E15D F	15	3x.01µF	.9		✓	3.00"(76)	5.49"(139)	3.00"(76)
3E15D H	15	3x.01µF	.9		✓	3.00"(76)	5.49"(139)	3.00"(76)
3E20	20	*	1.4	*	*	4.00"(102)	6.62"(168)	4.00"(102)
3E20 DLF	20	3x.01µF	1.4		✓	4.00"(102)	6.62"(168)	4.00"(102)
3E20 LF	20	4x.01µF	1.4		✓	4.00"(102)	6.62"(168)	4.00"(102)
3E20D LF	20	3x.01µF	1.4		✓	4.00"(102)	6.62"(168)	4.00"(102)
3E30	30	*	1.4	*	*	4.00"(102)	6.86"(174)	4.00"(102)
3E30 F	30	4x.01µF	1.4		✓	4.00"(102)	6.86"(174)	4.00"(102)
3E30 L	30	4x.01µF	1.4		✓	4.00"(102)	6.86"(174)	4.00"(102)
3E30 LF	30	4x.01µF	1.4		✓	4.00"(102)	6.86"(174)	4.00"(102)
3E30A F	30	4x.01µF/4x.0047µF	2.1		✓	4.00"(102)	6.86"(174)	4.00"(102)
3E45	45	*	1.4	*	*	4.00"(102)	8.62"(219)	4.00"(102)
3E45 L	45	*	1.4	*	*	4.00"(102)	8.62"(219)	4.00"(102)
3E60	60	*	1.4	*	*	4.00"(102)	8.62"(219)	4.00"(102)
3E60 F	60	4x.01µF	1.6		✓	4.00"(102)	8.62"(219)	4.00"(102)
3E60D F	60	3x.01µF	1.2		✓	4.00"(102)	8.62"(219)	4.00"(102)
3E80	80	*	1.6	*	*	6.50"(165)	12.00"(305)	4.75"(121)
3E80 F	80	4x.01µF	2.4		✓	6.50"(165)	12.00"(305)	4.75"(121)
3E80 H	80	4x.01µF	2.4		✓	6.50"(165)	12.00"(305)	4.75"(121)
3E80A F	80	4x.01µF/4x.0047µF	2.3		✓	6.50"(165)	12.00"(305)	4.75"(121)
3E100	100	*	1.6	*	*	6.50"(165)	14.30"(363)	4.75"(121)
3E100 F	100	4x.015µF	1.6		✓	6.50"(165)	14.30"(363)	4.75"(121)
3E100D	100	*	1.6	*	*	6.50"(165)	14.30"(363)	4.75"(121)
3E150	150	*	1.8	*	*	7.50"(191)	17.80"(452)	5.75"(146)
3E150 F	150	4x.01µF/4x.001µF	1.8		✓	7.50"(191)	17.80"(452)	5.75"(146)
3E150D	150	*	1.8	*	*	7.50"(191)	17.80"(452)	5.75"(146)
3E200	200	*	1.8	*	*	8.50"(216)	19.50"(495)	6.75"(171)
3E200D	200	*	1.8	*	*	8.50"(216)	19.50"(495)	6.75"(171)

\*Contact factory for dimensions.

# 3E

## 3 PHASE SWITCH MODE EMI FILTER

### 3E MECHANICAL OUTLINES (MM)



# 3E

## 3 PHASE SWITCH MODE EMI FILTER

SERIES	(A)	B	C	D	E	F	G	H	I	J	K	L	M	N	O	P	Q	
<b>3 amps</b>	3.00" (76)	5.49" (139)	3.00" (76)	4.87" (124)	1.50" (38)	0.75" (19)	N/A	0.75" (19)	1.20" (30)	2.50" (64)	N/A	N/A	N/A	N/A	N/A	N/A	N/A	
<b>20 amps</b>	4.00" (102)	6.62" (168)	4.00" (102)	5.82" (148)	2.50" (64)	0.75" (19)	0.83" (21)	2.00" (51)	1.00" (25)	3.25" (83)	N/A	N/A	N/A	N/A	N/A	N/A	N/A	
<b>30 amps</b>	6.86" (174)	4.00" (102)	4.00" (102)	3.25" (83)	4.90" (124)	4.00" (102)	0.83" (21)	0.75" (19)	2.00" (51)	2.00" (51)	1.00" (25)	∅ .187x.375, 4x	STUD 10-32, 9x	STUD 10-32	GND	0.41" (10)	0.38" (10)	5.81"
<b>45 amps</b>	4.00" (102)	8.62" (219)	4.00" (102)	7.82" (199)	2.50" (64)	0.75" (19)	0.83" (21)	2.00" (51)	1.00" (25)	3.25" (83)	N/A	N/A	N/A	N/A	N/A	N/A	N/A	
<b>60 amps</b>	10.40" (264)	5.00" (127)	4.75" (121)	4.00" (102)	8.00" (203)	5.00" (127)	1.00" (25)	1.00" (25)	2.50" (64)	2.43" (62)	1.43" (36)	∅.250 X .500, 4x	STUD 1/4-20, 9x	STUD 1/4-20	GND	0.49" (12)	8.98" (228)	0.50" (13)
<b>80 amps</b>	6.50" (165)	12.00" (305)	4.75" (121)	11.00" (279)	3.38" (86)	1.56" (40)	1.13" (29)	3.25" (83)	1.43" (36)	4.25" (108)	N/A	N/A	N/A	N/A	N/A	N/A	N/A	
<b>100 amps</b>	14.30" (363)	6.50" (165)	4.75" (121)	4.25" (108)	12.00" (305)	6.50" (165)	1.13" (29)	1.56" (40)	3.25" (83)	2.43" (62)	1.43" (36)	.312 x .620	STUD GND 5/16-18	STUD 5/16-18, 9x	5/16-18	0.50" (13)	13.00" (330)	1.13" (29)
<b>150 amps</b>	17.80" (452)	7.50" (191)	5.75" (146)	6.38" (162)	14.88" (378)	7.50" (191)	1.38" (35)	1.00" (25)	6.50" (165)	3.50" (89)	N/A	∅.050x0.28, 6x	STUD 3/8-16, 9x	STUD 3/8-16	GND	0.63" (16)	16.25" (413)	0.56" (14)
<b>200 amps</b>	8.50" (216)	19.50" (495)	6.75" (171)	18.38" (467)	6.43" (163)	1.05" (27)	1.60" (41)	1.05" (27)	4.00" (102)	6.40" (163)	N/A	N/A	N/A	N/A	N/A	N/A	N/A	

TYPICAL TOLERANCE: +/-0.02" (0.50MM)

### TYPICAL INSERTION LOSS, dB (50/50 Ohm)

Amps	Freq (MHz)	0.15	0.5	1.0	10	30
<b>15</b>	CM (dB)	22	50	40	56	63
	DM (dB)	25	55	41	58	66
<b>20</b>	CM (dB)	22	50	40	56	63
	DM (dB)	25	55	41	58	66
<b>30</b>	CM (dB)	22	50	40	56	63
	DM (dB)	40	60	41	58	66
<b>45</b>	CM (dB)	22	50	40	56	63
	DM (dB)	25	55	41	58	66
<b>60</b>	CM (dB)	25	50	40	56	63
	DM (dB)	30	60	41	58	66
<b>80</b>	CM (dB)	30	55	40	56	63
	DM (dB)	30	60	41	58	66



# 3E

## 3 PHASE SWITCH MODE EMI FILTER

Amps	Freq (MHz)	0.15	0.5	1.0	10	30
<b>100</b>	CM (dB)	22	50	40	56	63
	DM (dB)	25	55	41	58	66
<b>150</b>	CM (dB)	22	50	40	56	63
	DM (dB)	25	55	41	58	66
<b>200</b>	CM (dB)	22	50	40	56	63
	DM (dB)	25	55	41	58	66