

DIN-Rail EMC/RFI Filter with Minimum Leakage Current

3-Phase Filters FN 3025 / FN 3026



- | Compact state-of-the-art filter concept
- | Light weight plastic enclosure design
- | Minimized filter leakage current
- | Hinged safety covers
- | Revolutionary embedded filter terminals
- | Chassis or DIN-rail mounting option
- | Selectable performance level
- | Environmental friendly design without potting compound

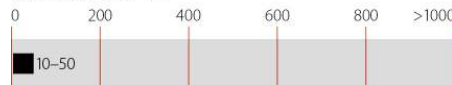


Performance indicators

Attenuation performance



Rated current [A]



Technical specifications

Maximum continuous operating voltage	3x 520/300 VAC
Operating frequency	dc to 60 Hz
Rated currents	10 to 50 A @ 50 °C
High potential test voltage	P → E 2000 VAC for 2 sec (HL types) P → E 3000 VDC for 2 sec (HP types) P → P 2250 VDC for 2 sec
Protection category	IP00 (protection according to VBG 4)
Overload capability	4x rated current at switch on, 1.5x rated current for 1 minute, once per hour
Temperature range (operation and storage)	-25 °C to +100 °C (25/100/21)
Flammability corresponding to	UL 94 V-2 or better
Design corresponding to	UL 1283, CSA 22.2 No. 8 1986, IEC/EN 60939
MTBF @ 50°C/400V (Mil-HB-217F)	>200,000 hours

Approvals



Design protected by European patent (EP 1727280)


Features and benefits

- | FN 3025 filters are designed for traditional chassis mounting
- | For extra fast installation, FN 3026 filters can comfortably be snapped-in on TS 35 DIN-rails
- | Two different performance levels are offered (L types, P types). The suitable filter can be selected by choosing the required performance level, the admissible leakage current and the preferred installation style
- | A plastic housing and a metal ground plate are cleverly combined to get the lowest possible product weight without compromising EMC behavior
- | The embedded jump-terminal system from Schaffner guarantees user-friendly handling as well as fast and reliable electrical connection
- | Captive hinged protective covers contribute to overall safety by offering protection against unintended contact with live conductors. They are included in the standard delivery package without causing extra cost
- | Very low leakage current values make these filter ranges ideally suitable for use in Japanese electricity networks as well as in applications which set value on safety and reliability

Typical applications

- | Applications with the requirement for extremely compact filter solutions
- | Applications with tough leakage current requirements or sensitive earth leakage detectors
- | Applications with insufficient internal filtering or moderate interference levels
- | Automation equipment
- | Motor drives and servo drives with short motor cables
- | Applications including stepping motors
- | Semiconductor manufacturing equipment
- | Electrical cabinets
- | Three-phase power supplies
- | Medical equipment (not patient-coupled)

Filter selection table

Filter	Rated current @ 50 °C (40 °C)	Typical drive power rating*	Leakage current** @ 480 VAC/50 Hz	Power loss @ 25 °C/50 Hz	Input/Output connections 	Weight [kg]
	[A]	[kW]	[mA]	[W]		
FN 3025HL-10-71	10 (10.7)	5.5	0.4	4.8	-71	0.52
FN 3025HL-20-71	20 (21.4)	11	0.4	6.2	-71	0.52
FN 3025HL-30-71	30 (32.1)	18.5	0.4	7.0	-71	0.54
FN 3025HL-50-72	50 (53.5)	30	0.4	10.5	-72	0.93
FN 3025HP-10-71	10 (10.7)	5.5	2.5	4.8	-71	0.52
FN 3025HP-20-71	20 (21.4)	11	2.5	6.2	-71	0.52
FN 3025HP-30-71	30 (32.1)	18.5	2.5	7.0	-71	0.54
FN 3025HP-50-72	50 (53.5)	30	2.5	10.5	-72	0.93
FN 3026HL-10-71	10 (10.7)	5.5	0.4	4.8	-71	0.56
FN 3026HL-20-71	20 (21.4)	11	0.4	6.2	-71	0.56
FN 3026HL-30-71	30 (32.1)	18.5	0.4	7.0	-71	0.58
FN 3026HL-50-72	50 (53.5)	30	0.4	10.5	-72	0.98
FN 3026HP-10-71	10 (10.7)	5.5	2.5	4.8	-71	0.56
FN 3026HP-20-71	20 (21.4)	11	2.5	6.2	-71	0.56
FN 3026HP-30-71	30 (32.1)	18.5	2.5	7.0	-71	0.58
FN 3026HP-50-72	50 (53.5)	30	2.5	10.5	-72	0.98

* Calculated at rated current, 480 VAC and cos phi = 0.8. The exact value depends upon the efficiency of the drive, the motor and the entire application.

** Maximum leakage under normal operating conditions. Note: if two phases are interrupted, worst case leakage could reach up to 10 times higher levels (at 520 VAC/60 Hz).

Typical filter attenuation

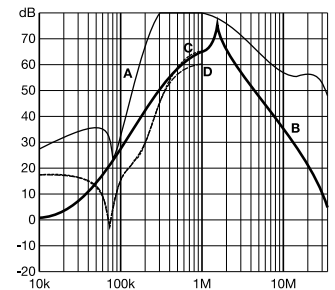
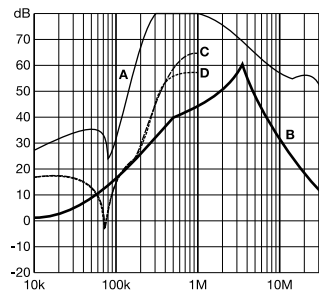
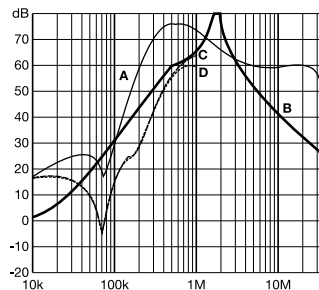
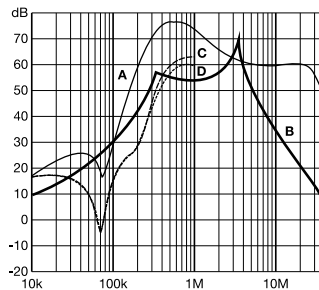
Per CISPR 17; A = 50 Ω/50 Ω sym; B = 50 Ω/50 Ω asym; C = 0.1 Ω/100 Ω sym; D = 100 Ω/0.1 Ω sym

10 and 20 A HL types

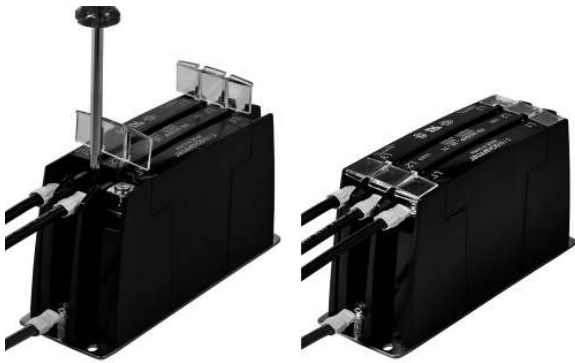
10 and 20 A HP types

30 and 50 A HL types

30 and 50 A HP types



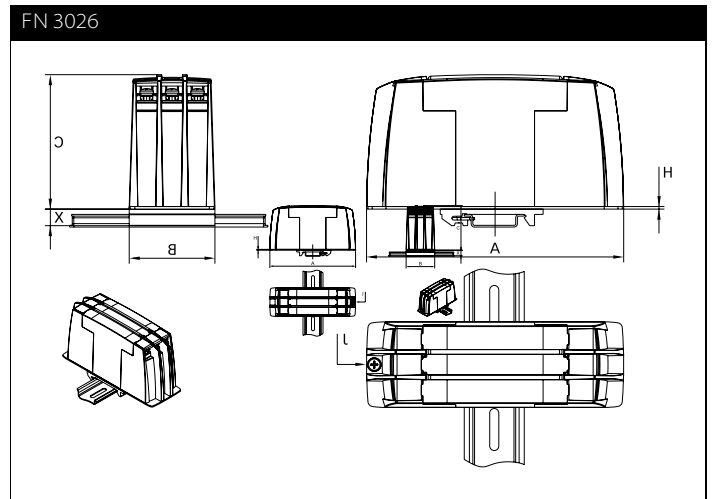
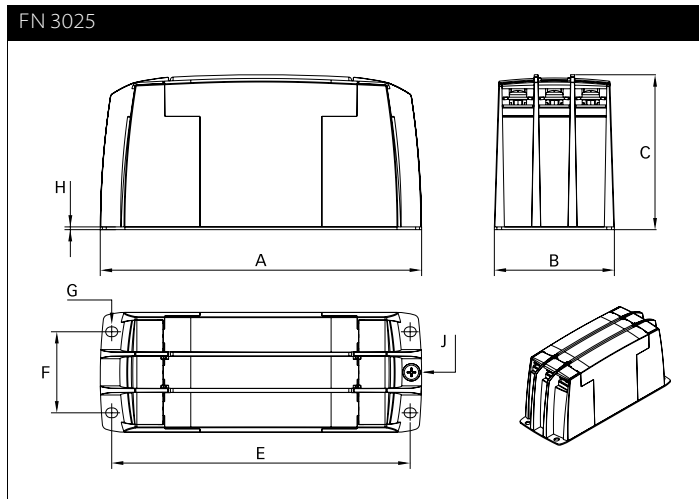
Installation



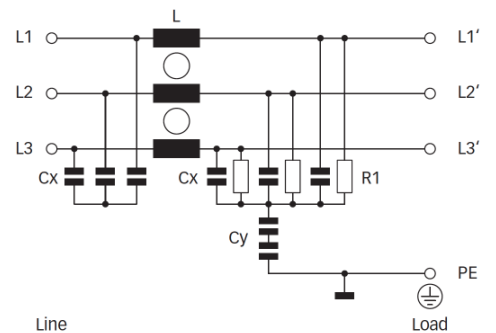
FN 3025/FN 3026 are delivered with closed plastic covers and unfastened terminals. To install the filter please proceed as follows:

- Mount the filter on a metal surface with four screws or snap it onto a TS 35 DIN- rail.
- First connect the green/yellow wire to the earth stud of the filter.
- Gently lift the two hinged plastic covers.
- Connect phase wires with cable lugs by pushing down and tightening the screws.
- Please note the torque recommendation on top of the filter.
- Push the covers back into their locked position to finish the filter installation.

Mechanical data



Typical electrical schematic







Dimensions

	FN 3025				FN 3026			
	10 A	20 A	30 A	50 A	10 A	20 A	30 A	50 A
A	150	150	150	177	150	150	150	177
B	50	50	50	65	50	50	50	65
C	78	78	78	84	78	78	78	84
E	140	140	140	162				
F	32	32	32	44				
G	4.3 x 5.5	4.3 x 5.5	4.3 x 5.5	5.3 x 6.5				
H	1.5	1.5	1.5	1.5	1.5	1.5	1.5	1.5
J	M4	M4	M4	M5	M4	M4	M4	M5
X					9.7	9.7	9.7	9.7

All dimensions in mm; 1 inch = 25.4 mm
Tolerances according: ISO 2768-m / EN 22768-m

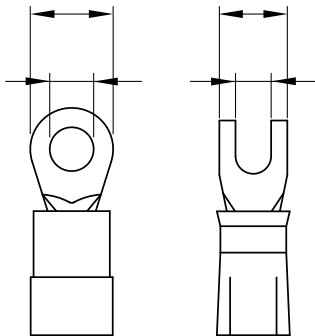
Filter input/output connector cross sections

	-71 (10A)	-71 (20A)	-71 (30A)	-72 (50A)
				
Flex wire	1.3-2.5 mm ²	4-6 mm ²	8-10mm ²	16-20mm ²
AWG type wire	AWG 16-AWG 13	AWG 12-AWG 10	AWG 8-AWG 7	AWG 5-AWG 4
Ring/fork lug (W/d)*	max. 11 mm (9.5 mm)/ min. Ø 4.3 mm**	max. 11 mm (9.5 mm)/ min. Ø 4.3 mm**	max. 11 mm (9.5 mm)/ min. Ø 4.3 mm**	max. 16.5 mm (15 mm)/ min. Ø 5.3 mm**
Recommended torque	1.0-1.2 Nm	1.0-1.2 Nm	1.0-1.2 Nm	1.9-2.2 Nm

* Schaffner recommends the use of insulated and UL-recognized ring lugs or fork lugs of the appropriate size.

** Specification in () relates to earth connector.

Please visit www.schaffner.com to find more details on filter connectors.





Headquarters, global innovation and development center

Switzerland

Schaffner Group

Nordstrasse 11
4542 Luterbach
T +41 32 6816 626
F +41 32 6816 630
info@schaffner.com
<http://www.schaffner.com>



Sales and application centers

China

Schaffner EMC Ltd. Shanghai

T20-3, No 565 Chuangye Road
Pudong New Area
201201 Shanghai
T +86 21 3813 9500
F F +86 21 3813 9501 / 02
cschina@schaffner.com
<http://www.schaffner.com.cn/>

Finland

Schaffner Oy

Sauvonrinne 19 H
08500 Lohja
T +358 19 35 72 71
finlandsales@schaffner.com

France

Schaffner EMC S.A.S.

112, Quai de Bezons
Boîte postale 133
95103 Argenteuil
T +33 1 34 34 30 60
F +33 1 39 47 02 28
francesales@schaffner.com

Germany

Schaffner Deutschland GmbH

Schoemperlenstrasse 12B
76185 Karlsruhe
T +49 721 56910
F +49 721 569110
germanysales@schaffner.com

Italy

Schaffner EMC S.r.l.

Via Galileo Galilei 47
20092 Cinisello Balsamo (MI)
T +39 02 66 04 30 45/47
F +39 02 61 23 943
italysales@schaffner.com

Japan

Schaffner EMC K.K.

1-32-12, Kamiyama, Setagaya-ku
7F Mitsui-seimei Sangenjaya Bldg.
154-0011 Tokyo
T +81 3 5712 3650
F +81 3 5712 3651
japansales@schaffner.com
<http://www.schaffner.jp>

Singapore

Schaffner EMC Pte Ltd.

Blk 3015A Ubi Road 1
05-09 Kampong Ubi Industrial Estate
408705 Singapore
T +65 6377 3283
F +65 6377 3281
singaporesales@schaffner.com

Spain

Schaffner EMC España

Edificio E, Alcobendas
El Soto de la Moraleja Alcobendas
28109 Madrid
T +34 618 176 133
spainsales@schaffner.com

Sweden

Schaffner EMC AB

Turebergstorg 1, 6
19147 Sollentuna
T +46 8 5792 1121 / 22
F +46 8 92 96 90
swedensales@schaffner.com

Switzerland

Schaffner EMV AG

Nordstrasse 11
4542 Luterbach
T +41 32 6816 626
F +41 32 6816 641
sales@schaffner.ch

Taiwan R.O.C.

Schaffner EMV Ltd.

6 Floor, No. 413
Rui Guang Road
114 Neihu District Taipei City
T +886 2 87525050
F +886 2 87518086
taiwansales@schaffner.com

Thailand

Schaffner EMC Co. Ltd.

Northern Region Industrial Estate
67 Moo 4 Tambon Ban Klang Amphur Muang
P.O. Box 14
51000 Lamphun
T +66 53 58 11 04
F +66 53 58 10 19
thailandsales@schaffner.com

UK

Schaffner Ltd.

5 Ashville Way
Molly Millars Lane Wokingham
RG41 2PL Berkshire
T +44 118 9770070
F +44 118 9792969
uksales@schaffner.com
<http://www.schaffner.uk.com>

USA

Schaffner EMC Inc.

52 Mayfield Avenue
08837 Edison, New Jersey
T +1 800 367 5566
T +732 225 9533
F +732 225 4789
usasales@schaffner.com
<http://www.schaffner.com/us>

Schaffner MTC LLC

6722 Thirlane Road
24019 Roanoke, Virginia
T +276 228 7943
F +276 228 7953
<http://www.schaffnerusa.com>

Schaffner Trencos LLC

2550 Brookpark Road
44134 Cleveland, Ohio
T +216 741 5282
F +216 741 4860
www.schaffner-trencos.com

To find your local partner within Schaffner's global network, please go to:
www.schaffner.com

© 2014 Schaffner Group

The content of this document has been carefully checked and understood. However, neither Schaffner nor its subsidiaries assume any liability whatsoever for any errors or inaccuracies of this document and the consequences thereof. Published specifications are subject to change without notice. Product suitability for any area of application must ultimately be determined by the customer. In all cases, products must never be operated outside their published specifications. Schaffner does not guarantee the availability of all published products. This disclaimer shall be governed by substantive Swiss law and resulting disputes shall be settled by the courts at the place of business of Schaffner Holding AG. Latest publications and a complete disclaimer can be downloaded from the Schaffner website. All trademarks recognized.