

RP327

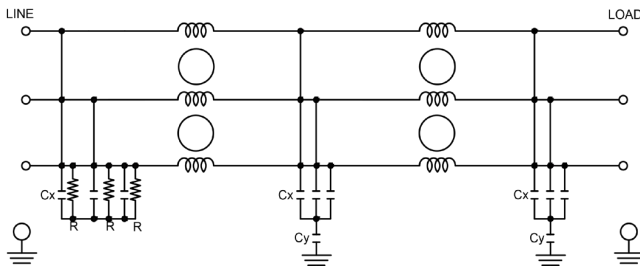
BOOKSHELF, 3-PHASE **DELTA** DUAL STAGE POWER LINE FILTER

FEATURES

- » Rated currents include **7A, 16A, 30A, 42A, 55A, 75A, 100A, 130A, 180A and 250A**
- » Dual Stage Line Filter
- » Available with **W** (wires), **S** (studs) and **C** (connectors) option
- » Bookshelf Design
- » Agency Approved to UL1283 / 60929, CSA C22.2, EN 60963
- » Y-cap value can be adjusted to fit specification



ELECTRICAL SCHEMATIC



SPECIFICATIONS

OPERATING FREQUENCY	50/60Hz
USABLE FREQUENCY	DC - 400 Hz
MAX. OPERATING VOLTAGE	480 V +10%
AMBIENT TEMPERATURE	-25 TO 50°C
CLIMATIC CATEGORY	25/100/21
TERMINALS (-T)	WIRE LEADS
	STUDS 7-55A(M5),
	75-100A(M6),
	130-250A(M10)
	CONNECTORS
TYP. WEIGHT, LBS (KG)	5.0-31.0 (2.3-14.1)

TYPICAL LEAKAGE CURRENT

@ 480 VAC 60 Hz 0 - 20.0 mA Max.

HIPOT RATINGS

LINE TO GROUND 3500 VDC

TYPICAL APPLICATIONS

- ✓ High Power Rectifiers
- ✓ Uninterrupted Power Supplies
- ✓ Processing Equipment
- ✓ Alternative Energy (EV Charging & Solar)
- ✓ Factory Machinery

HOW TO ORDER

RP327-X-Y-Z

- Z = TERMINAL (-T)
- Y = Y-CAP, NF
- X = RATED CURRENT
- RP327 = FILTER SERIES

NOTE: USE ANY COMBINATION OF -X (AMPS) WITH ANY -Y RATINGS

E.G. **RP327-42-100-S** (42AMPS WITH 100 NF YCAP)

For **X, Y** and **Z** options see product specification table.

RP327

BOOKSHELF, 3-PHASE **DELTA** DUAL STAGE POWER LINE FILTER

MODEL NO.	RATED CURRENT, A @ 40° C	Y-CAP, nF	LEAKAGE CURRENT mA, @ 480V AC/60 Hz	TERMINAL OPTIONS			MAX. DIMENSIONS" (MM)		
				(W) INPUT/ OUTPUT	(S) INPUT/ OUTPUT	(C) INPUT/ OUTPUT	WIDTH	(LENGTH)	HEIGHT
RP327-7-0-S	7	0	-		✓		5.59"(142)	12.01"(305)	2.17"(55)
RP327-7-0-W	7	0	-	✓			*	*	*
RP327-7-10-S	7	10	0.10		✓		5.59"(142)	12.01"(305)	2.17"(55)
RP327-7-10-W	7	10	0.10	✓			*	*	*
RP327-7-100-S	7	100	1.00		✓		5.59"(142)	12.01"(305)	2.17"(55)
RP327-7-100-W	7	100	1.00	✓			*	*	*
RP327-7-1000-S	7	1000	10.00		✓		5.59"(142)	12.01"(305)	2.17"(55)
RP327-7-1000-W	7	1000	10.00	✓			*	*	*
RP327-7-2000-S	7	2000	20.00		✓		5.59"(142)	12.01"(305)	2.17"(55)
RP327-7-2000-W	7	2000	20.00	✓			*	*	*
RP327-16-0-S	16	0	-		✓		5.59"(142)	12.01"(305)	2.17"(55)
RP327-16-0-W	16	0	-	✓			*	*	*
RP327-16-10-S	16	10	0.10		✓		5.59"(142)	12.01"(305)	2.17"(55)
RP327-16-10-W	16	10	0.10	✓			*	*	*
RP327-16-100-S	16	100	1.00		✓		5.59"(142)	12.01"(305)	2.17"(55)
RP327-16-100-W	16	100	1.00	✓			*	*	*
RP327-16-1000-S	16	1000	10.00		✓		5.59"(142)	12.01"(305)	2.17"(55)
RP327-16-1000-W	16	1000	10.00	✓			*	*	*
RP327-16-2000-S	16	2000	20.00		✓		5.59"(142)	12.01"(305)	2.17"(55)
RP327-16-2000-W	16	2000	20.00	✓			*	*	*
RP327-30-0-C	30	0	-			✓	*	*	*
RP327-30-0-S	30	0	-		✓		5.59"(142)	12.01"(305)	2.17"(55)
RP327-30-0-W	30	0	-	✓			*	*	*
RP327-30-10-C	30	10	0.10			✓	*	*	*
RP327-30-10-S	30	10	0.10		✓		5.59"(142)	12.01"(305)	2.17"(55)
RP327-30-10-W	30	10	0.10	✓			*	*	*
RP327-30-100-C	30	100	1.00			✓	*	*	*
RP327-30-100-S	30	100	1.00		✓		5.59"(142)	12.01"(305)	2.17"(55)
RP327-30-100-W	30	100	1.00	✓			*	*	*
RP327-30-1000-C	30	1000	10.00			✓	*	*	*
RP327-30-1000-S	30	1000	10.00		✓		5.59"(142)	12.01"(305)	2.17"(55)
RP327-30-1000-W	30	1000	10.00	✓			*	*	*
RP327-30-2000-C	30	2000	20.00			✓	*	*	*
RP327-30-2000-S	30	2000	20.00		✓		5.59"(142)	12.01"(305)	2.17"(55)

ADDITIONAL MODEL NO. >>

RP327

BOOKSHELF, 3-PHASE **DELTA** DUAL STAGE POWER LINE FILTER

MODEL NO.	RATED CURRENT, A @ 40° C	Y-CAP, nF	LEAKAGE CURRENT mA, @ 480V AC/60 Hz	TERMINAL OPTIONS			MAX. DIMENSIONS" (MM)		
				(W) INPUT/ OUTPUT	(S) INPUT/ OUTPUT	(C) INPUT/ OUTPUT	WIDTH	(LENGTH)	HEIGHT
RP327-30-2000-W	30	2000	20.00	✓			*	*	*
RP327-42-0-C	42	0	-			✓	*	*	*
RP327-42-0-S	42	0	-		✓		7.28"(185)	12.95"(329)	3.15"(80)
RP327-42-0-W	42	0	-	✓			*	*	*
RP327-42-10-C	42	10	0.10			✓	*	*	*
RP327-42-10-S	42	10	0.10		✓		7.28"(185)	12.95"(329)	3.15"(80)
RP327-42-10-W	42	10	0.10	✓			*	*	*
RP327-42-100-C	42	100	1.00			✓	*	*	*
RP327-42-100-S	42	100	1.00		✓		7.28"(185)	12.95"(329)	3.15"(80)
RP327-42-100-W	42	100	1.00	✓			*	*	*
RP327-42-1000-C	42	1000	10.00			✓	*	*	*
RP327-42-1000-S	42	1000	10.00		✓		7.28"(185)	12.95"(329)	3.15"(80)
RP327-42-1000-W	42	1000	10.00	✓			*	*	*
RP327-42-2000-C	42	2000	20.00			✓	*	*	*
RP327-42-2000-S	42	2000	20.00		✓		7.28"(185)	12.95"(329)	3.15"(80)
RP327-42-2000-W	42	2000	20.00	✓			*	*	*
RP327-55-0-C	55	0	-			✓	*	*	*
RP327-55-0-S	55	0	-		✓		7.28"(185)	12.95"(329)	3.15"(80)
RP327-55-0-W	55	0	-	✓			*	*	*
RP327-55-10-C	55	10	0.10			✓	*	*	*
RP327-55-10-S	55	10	0.10		✓		7.28"(185)	12.95"(329)	3.15"(80)
RP327-55-10-W	55	10	0.10	✓			*	*	*
RP327-55-100-C	55	100	1.00			✓	*	*	*
RP327-55-100-S	55	100	1.00		✓		7.28"(185)	12.95"(329)	3.15"(80)
RP327-55-100-W	55	100	1.00	✓			*	*	*
RP327-55-1000-C	55	1000	10.00			✓	*	*	*
RP327-55-1000-S	55	1000	10.00		✓		7.28"(185)	12.95"(329)	3.15"(80)
RP327-55-1000-W	55	1000	10.00	✓			*	*	*
RP327-55-2000-C	55	2000	20.00			✓	*	*	*
RP327-55-2000-S	55	2000	20.00		✓		7.28"(185)	12.95"(329)	3.15"(80)
RP327-55-2000-W	55	2000	20.00	✓			*	*	*
RP327-75-0-C	75	0	-			✓	*	*	*
RP327-75-0-S	75	0	-		✓		8.66"(220)	14.92"(379)	3.54"(90)
RP327-75-0-W	75	0	-	✓			*	*	*

ADDITIONAL MODEL NO. >>

RP327

BOOKSHELF, 3-PHASE **DELTA** DUAL STAGE POWER LINE FILTER

MODEL NO.	RATED CURRENT, A @ 40° C	Y-CAP, nF	LEAKAGE CURRENT mA, @ 480V AC/60 Hz	TERMINAL OPTIONS			MAX. DIMENSIONS" (MM)		
				(W) INPUT/ OUTPUT	(S) INPUT/ OUTPUT	(C) INPUT/ OUTPUT	WIDTH	(LENGTH)	HEIGHT
RP327-75-10-C	75	10	0.10			✓	*	*	*
RP327-75-10-S	75	10	0.10		✓		8.66"(220)	14.92"(379)	3.54"(90)
RP327-75-10-W	75	10	0.10	✓			*	*	*
RP327-75-100-C	75	100	1.00			✓	*	*	*
RP327-75-100-S	75	100	1.00		✓		8.66"(220)	14.92"(379)	3.54"(90)
RP327-75-100-W	75	100	1.00	✓			*	*	*
RP327-75-1000-C	75	1000	10.00			✓	*	*	*
RP327-75-1000-S	75	1000	10.00		✓		8.66"(220)	14.92"(379)	3.54"(90)
RP327-75-1000-W	75	1000	10.00	✓			*	*	*
RP327-75-2000-C	75	2000	20.00			✓	*	*	*
RP327-75-2000-S	75	2000	20.00		✓		8.66"(220)	14.92"(379)	3.54"(90)
RP327-75-2000-W	75	2000	20.00	✓			*	*	*
RP327-100-0-C	100	0	-			✓	*	*	*
RP327-100-0-S	100	0	-		✓		8.66"(220)	14.92"(379)	3.54"(90)
RP327-100-0-W	100	0	-	✓			*	*	*
RP327-100-10-C	100	10	0.10			✓	*	*	*
RP327-100-10-S	100	10	0.10		✓		8.66"(220)	14.92"(379)	3.54"(90)
RP327-100-10-W	100	10	0.10	✓			*	*	*
RP327-100-100-C	100	100	1.00			✓	*	*	*
RP327-100-100-S	100	100	1.00		✓		8.66"(220)	14.92"(379)	3.54"(90)
RP327-100-100-W	100	100	1.00	✓			*	*	*
RP327-100-1000-C	100	1000	10.00			✓	*	*	*
RP327-100-1000-S	100	1000	10.00		✓		8.66"(220)	14.92"(379)	3.54"(90)
RP327-100-1000-W	100	1000	10.00	✓			*	*	*
RP327-100-2000-C	100	2000	20.00			✓	*	*	*
RP327-100-2000-S	100	2000	20.00		✓		8.66"(220)	14.92"(379)	3.54"(90)
RP327-100-2000-W	100	2000	20.00	✓			*	*	*
RP327-100-2200-S	100	2200	22.00		✓		8.66"(220)	14.92"(379)	3.54"(90)
RP327-130-0-C	130	0	-			✓	*	*	*
RP327-130-0-S	130	0	-		✓		9.45"(240)	17.24"(438)	4.30"(109)
RP327-130-0-W	130	0	-	✓			*	*	*
RP327-130-10-C	130	10	0.10			✓	*	*	*
RP327-130-10-S	130	10	0.10		✓		9.45"(240)	17.24"(438)	4.30"(109)
RP327-130-10-W	130	10	0.10	✓			*	*	*

ADDITIONAL MODEL NO. >>

RP327

BOOKSHELF, 3-PHASE **DELTA** DUAL STAGE POWER LINE FILTER

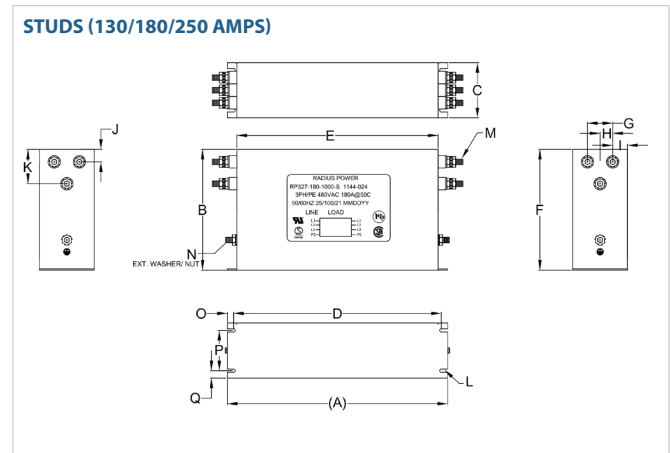
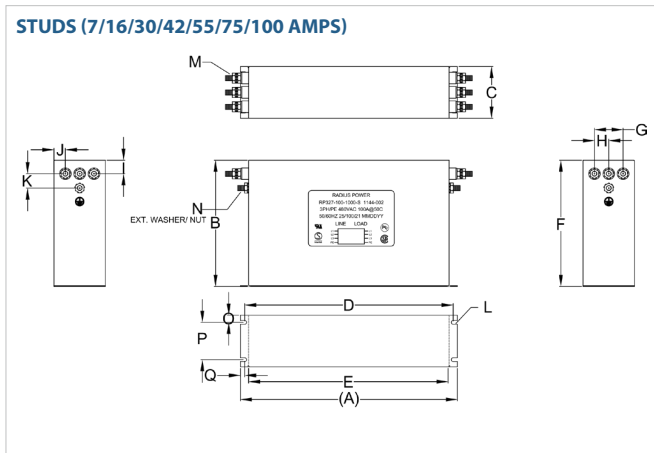
MODEL NO.	RATED CURRENT, A @ 40° C	Y-CAP, nF	LEAKAGE CURRENT mA, @ 480V AC/60 Hz	TERMINAL OPTIONS			MAX. DIMENSIONS" (MM)		
				(W) INPUT/ OUTPUT	(S) INPUT/ OUTPUT	(C) INPUT/ OUTPUT	WIDTH	(LENGTH)	HEIGHT
RP327-130-100-C	130	100	1.00			✓	*	*	*
RP327-130-100-S	130	100	1.00		✓		9.45"(240)	17.24"(438)	4.30"(109)
RP327-130-100-W	130	100	1.00	✓			*	*	*
RP327-130-1000-C	130	1000	10.00			✓	*	*	*
RP327-130-1000-S	130	1000	10.00		✓		9.45"(240)	17.24"(438)	4.30"(109)
RP327-130-1000-W	130	1000	10.00	✓			*	*	*
RP327-130-2000-C	130	2000	20.00			✓	*	*	*
RP327-130-2000-S	130	2000	20.00		✓		9.45"(240)	17.24"(438)	4.30"(109)
RP327-130-2000-W	130	2000	20.00	✓			*	*	*
RP327-180-0-C	180	0	-			✓	*	*	*
RP327-180-0-S	180	0	-		✓		9.45"(240)	17.24"(438)	4.30"(109)
RP327-180-0-W	180	0	-	✓			*	*	*
RP327-180-10-C	180	10	0.10			✓	*	*	*
RP327-180-10-S	180	10	0.10		✓		9.45"(240)	17.24"(438)	4.30"(109)
RP327-180-10-W	180	10	0.10	✓			*	*	*
RP327-180-100-C	180	100	1.00			✓	*	*	*
RP327-180-100-S	180	100	1.00		✓		9.45"(240)	17.24"(438)	4.30"(109)
RP327-180-100-W	180	100	1.00	✓			*	*	*
RP327-180-1000-C	180	1000	10.00			✓	*	*	*
RP327-180-1000-S	180	1000	10.00		✓		9.45"(240)	17.24"(438)	4.30"(109)
RP327-180-1000-W	180	1000	10.00	✓			*	*	*
RP327-180-2000-C	180	2000	20.00			✓	*	*	*
RP327-180-2000-S	180	2000	20.00		✓		9.45"(240)	17.24"(438)	4.30"(109)
RP327-180-2000-W	180	2000	20.00	✓			*	*	*
RP327-250-0-S	250	0	-		✓		9.45"(240)	18.82"(478)	4.30"(109)
RP327-250-10-S	250	10	0.10		✓		9.45"(240)	18.82"(478)	4.30"(109)
RP327-250-100-S	250	100	1.00		✓		9.45"(240)	18.82"(478)	4.30"(109)
RP327-250-1000-S	250	1000	10.00		✓		9.45"(240)	18.82"(478)	4.30"(109)
RP327-250-2000-S	250	2000	20.00		✓		9.45"(240)	18.82"(478)	4.30"(109)

*Contact factory for dimensions.

RP327

BOOKSHELF, 3-PHASE **DELTA** DUAL STAGE POWER LINE FILTER

RP327 MECHANICAL OUTLINES (MM)



SERIES	(A)	B	C	D	E	F	G	H	I	J	K	L	M	N	O	P	Q
STUDS (7/16/30A)	12.01" (305)	5.59" (142)	2.17" (55)	11.42" (290)	10.90" (277)	5.59" (142)	1.67" (43)	1.08" (28)	0.49" (13)	0.93" (24)	0.87" (22)	Ø0.25"x10.8,4x Ø,6,4x10.8, 4x	STUD, M5, 6x	STUD, GND, M5, 2x	0.30" (8)	1.18" (30)	N/A
STUDS (42/55A)	12.95" (329)	7.28" (185)	3.15" (80)	12.36" (314)	11.81" (300)	7.28" (185)	1.57" (40)	0.83" (21)	0.79" (20)	0.93" (24)	0.91" (23)	Ø0.25x0.3, 4x	M5 STUD,8x	N/A	N/A	2.17" (55)	N/A
STUDS (75/100A)	14.92" (379)	8.66" (220)	3.54" (90)	14.33" (364)	13.78" (350)	8.66" (220)	1.97" (50)	0.98" (25)	0.79" (20)	0.93" (24)	0.98" (25)	Ø0.25"x10.8,4x Ø,6,5x10.8, 4x	STUD M6, 6x	STUD GND M6, 2x	0.49" (13)	2.56" (65)	0.30" (8)
STUDS (130/180A)	17.24" (438)	9.45" (240)	4.30" (109)	16.25" (413)	15.75" (400)	9.45" (240)	1.97" (50)	0.98" (25)	1.18" (30)	0.98" (25)	2.69" (68)	Ø0.5"x6.5,4x Ø,12.7x6.5, 4x	STUD, M10, 6x	STUD, GND, M10, 2x	0.50" (13)	3.15" (80)	0.58" (15)
STUDS (250A)	18.82" (478)	9.45" (240)	4.30" (109)	17.80" (452)	17.32" (440)	9.45" (240)	3.13" (80)	2.15" (55)	1.17" (30)	0.98" (25)	1.68" (43)	Ø0.64"x6.5,4x Ø,16.3x6.5, 4x	STUD M10, 6x	STUD GND M10, 2x	0.51" (13)	3.15" (80)	0.58" (15)

TYPICAL TOLERANCE: +/-0.02" (0.50MM)

RP327

BOOKSHELF, 3-PHASE **DELTA** DUAL STAGE POWER LINE FILTER

TYPICAL INSERTION LOSS, dB (50/50 Ohm)

Amps	Freq (MHz)	0.15	0.5	1.0	10	30
7	CM (dB)	65	70	70	55	40
	DM (dB)	55	70	70	70	60
16	CM (dB)	65	70	70	55	40
	DM (dB)	55	70	70	70	60
30	CM (dB)	65	70	70	50	30
	DM (dB)	60	70	70	70	50
42	CM (dB)	70	70	70	70	50
	DM (dB)	55	70	70	65	50
55	CM (dB)	70	70	70	70	50
	DM (dB)	55	70	70	65	50
75	CM (dB)	65	70	70	60	30
	DM (dB)	40	70	70	65	40
100	CM (dB)	65	70	70	60	30
	DM (dB)	40	70	70	65	40
130	CM (dB)	52	70	65	40	25
	DM (dB)	45	70	70	60	50
180	CM (dB)	55	70	70	40	20
	DM (dB)	55	70	60	45	25
250	CM (dB)	65	70	70	40	26
	DM (dB)	65	65	60	45	38