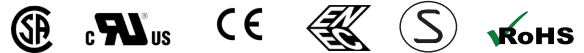
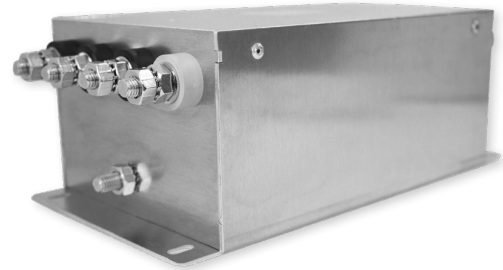


RP350

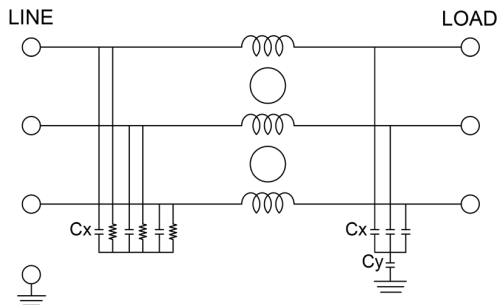
3-PHASE DELTA COMPACT SINGLE STAGE POWER LINE FILTER

FEATURES

- » Rated currents include **20A, 40A, 60A, 80A and 100A**
- » Single Stage Line Filter
- » Available with **W** (wires), **S** (studs) and **C** (connectors) option
- » Compact Design
- » Agency Approved to UL1283 / 60929, CSA C22.2, EN 60950
- » Y-cap value can be adjusted to fit specification



ELECTRICAL SCHEMATIC



SPECIFICATIONS

OPERATING FREQUENCY	50/60Hz
USABLE FREQUENCY	DC - 400 Hz
MAX. OPERATING VOLTAGE	480 V +10%
AMBIENT TEMPERATURE	-25 TO 50°C
CLIMATIC CATEGORY	25/100/21
TERMINALS (-T)	WIRE LEADS
	STUDS 20-60A(M5),
	80-100A(M6)
	CONNECTORS
TYP. WEIGHT, LBS (KG)	5.0 (2.3)

TYPICAL LEAKAGE CURRENT

@ 480 VAC 60 Hz	0 - 20.0 mA Max.
-----------------	------------------

HIPOT RATINGS

LINE TO GROUND	3500 VDC
----------------	----------

TYPICAL APPLICATIONS

- ✓ Power Conversion Systems
- ✓ Processing Equipment
- ✓ Alternative Energy (EV Charging & Solar Systems)
- ✓ Industrial Automation
- ✓ Test & Measurement

HOW TO ORDER

RP350-X-Y-Z

- Z = TERMINAL (-T)
- Y = Y-CAP, NF
- X = RATED CURRENT
- RP350 = FILTER SERIES

NOTE: USE ANY COMBINATION OF -X (AMPS) WITH ANY -Y RATINGS

E.G. **RP350-60-1000-S** (60AMPS WITH 1000 NF YCAP)

For **X, Y** and **Z** options see product specification table.

RP350

3-PHASE DELTA COMPACT SINGLE STAGE POWER LINE FILTER

MODEL NO.	RATED CURRENT, A @ 40° C	Y-CAP, nF	LEAKAGE CURRENT mA, @ 480V AC/60 Hz	TERMINAL OPTIONS			MAX. DIMENSIONS" (MM)		
				(W) INPUT/ OUTPUT	(S) INPUT/ OUTPUT	(C) INPUT/ OUTPUT	WIDTH	(LENGTH)	HEIGHT
RP350-20-0-S	20	0	-		✓		4.00"(102)	7.97"(202)	3.25"(83)
RP350-20-0-W	20	0	-	✓			*	*	*
RP350-20-10-S	20	10	0.10		✓		4.00"(102)	7.97"(202)	3.25"(83)
RP350-20-10-W	20	10	0.10	✓			*	*	*
RP350-20-100-S	20	100	1.00		✓		4.00"(102)	7.97"(202)	3.25"(83)
RP350-20-100-W	20	100	1.00	✓			*	*	*
RP350-20-1000-S	20	1000	10.00		✓		4.00"(102)	7.97"(202)	3.25"(83)
RP350-20-1000-W	20	1000	10.00	✓			*	*	*
RP350-20-2000-S	20	2000	20.00		✓		4.00"(102)	7.97"(202)	3.25"(83)
RP350-20-2000-W	20	2000	20.00	✓			*	*	*
RP350-40-0-C	40	0	-			✓	*	*	*
RP350-40-0-S	40	0	-		✓		4.00"(102)	7.97"(202)	3.25"(83)
RP350-40-0-W	40	0	-	✓			*	*	*
RP350-40-10-C	40	10	0.10			✓	*	*	*
RP350-40-10-S	40	10	0.10		✓		4.00"(102)	7.97"(202)	3.25"(83)
RP350-40-10-W	40	10	0.10	✓			*	*	*
RP350-40-100-C	40	100	1.00			✓	*	*	*
RP350-40-100-S	40	100	1.00		✓		4.00"(102)	7.97"(202)	3.25"(83)
RP350-40-100-W	40	100	1.00	✓			*	*	*
RP350-40-1000-C	40	1000	10.00			✓	*	*	*
RP350-40-1000-S	40	1000	10.00		✓		4.00"(102)	7.97"(202)	3.25"(83)
RP350-40-1000-W	40	1000	10.00	✓			*	*	*
RP350-40-2000-C	40	2000	20.00			✓	*	*	*
RP350-40-2000-S	40	2000	20.00		✓		4.00"(102)	7.97"(202)	3.25"(83)
RP350-40-2000-W	40	2000	20.00	✓			*	*	*
RP350-60-0-C	60	0	-			✓	*	*	*
RP350-60-0-S	60	0	-		✓		4.00"(102)	7.97"(202)	3.25"(83)
RP350-60-0-W	60	0	-	✓			*	*	*
RP350-60-10-C	60	10	0.10			✓	*	*	*
RP350-60-10-S	60	10	0.10		✓		4.00"(102)	7.97"(202)	3.25"(83)
RP350-60-10-W	60	10	0.10	✓			*	*	*
RP350-60-100-C	60	100	1.00			✓	*	*	*
RP350-60-100-S	60	100	1.00		✓		4.00"(102)	7.97"(202)	3.25"(83)
RP350-60-100-W	60	100	1.00	✓			*	*	*

ADDITIONAL MODEL NO. >>

RP350

3-PHASE **DELTA** COMPACT SINGLE STAGE POWER LINE FILTER

MODEL NO.	RATED CURRENT, A @ 40° C	Y-CAP, nF	LEAKAGE CURRENT mA, @ 480V AC/60 Hz	TERMINAL OPTIONS			MAX. DIMENSIONS" (MM)		
				(W) INPUT/ OUTPUT	(S) INPUT/ OUTPUT	(C) INPUT/ OUTPUT	WIDTH	(LENGTH)	HEIGHT
RP350-60-1000-C	60	1000	10.00			✓	*	*	*
RP350-60-1000-S	60	1000	10.00		✓		4.00"(102)	7.97"(202)	3.25"(83)
RP350-60-1000-W	60	1000	10.00	✓			*	*	*
RP350-60-2000-C	60	2000	20.00			✓	*	*	*
RP350-60-2000-S	60	2000	20.00		✓		4.00"(102)	7.97"(202)	3.25"(83)
RP350-60-2000-W	60	2000	20.00	✓			*	*	*
RP350-80-0-C	80	0	-			✓	*	*	*
RP350-80-0-S	80	0	-		✓		4.00"(102)	8.36"(212)	3.25"(83)
RP350-80-0-W	80	0	-	✓			*	*	*
RP350-80-10-C	80	10	0.10			✓	*	*	*
RP350-80-10-S	80	10	0.10		✓		4.00"(102)	8.36"(212)	3.25"(83)
RP350-80-10-W	80	10	0.10	✓			*	*	*
RP350-80-100-C	80	100	1.00			✓	*	*	*
RP350-80-100-S	80	100	1.00		✓		4.00"(102)	8.36"(212)	3.25"(83)
RP350-80-100-W	80	100	1.00	✓			*	*	*
RP350-80-1000-C	80	1000	10.00			✓	*	*	*
RP350-80-1000-S	80	1000	10.00		✓		4.00"(102)	8.36"(212)	3.25"(83)
RP350-80-1000-W	80	1000	10.00	✓			*	*	*
RP350-80-2000-C	80	2000	20.00			✓	*	*	*
RP350-80-2000-S	80	2000	20.00		✓		4.00"(102)	8.36"(212)	3.25"(83)
RP350-80-2000-W	80	2000	20.00	✓			*	*	*
RP350-100-0-C	100	0	-			✓	*	*	*
RP350-100-0-S	100	0	-		✓		4.00"(102)	9.03"(229)	3.25"(83)
RP350-100-0-W	100	0	-	✓			*	*	*
RP350-100-10-C	100	10	0.10			✓	*	*	*
RP350-100-10-S	100	10	0.10		✓		4.00"(102)	9.03"(229)	3.25"(83)
RP350-100-10-W	100	10	0.10	✓			*	*	*
RP350-100-100-C	100	100	1.00			✓	*	*	*
RP350-100-100-S	100	100	1.00		✓		4.00"(102)	9.03"(229)	3.25"(83)
RP350-100-100-W	100	100	1.00	✓			*	*	*
RP350-100-1000-C	100	1000	10.00			✓	*	*	*
RP350-100-1000-S	100	1000	10.00		✓		4.00"(102)	9.03"(229)	3.25"(83)
RP350-100-1000-W	100	1000	10.00	✓			*	*	*
RP350-100-2000-C	100	2000	20.00			✓	*	*	*

ADDITIONAL MODEL NO. >>

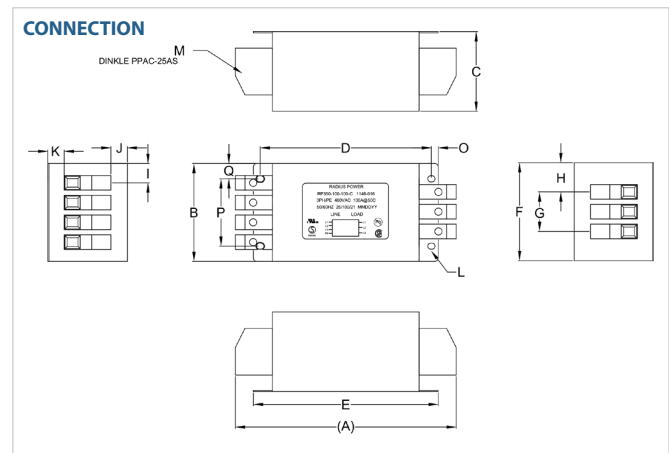
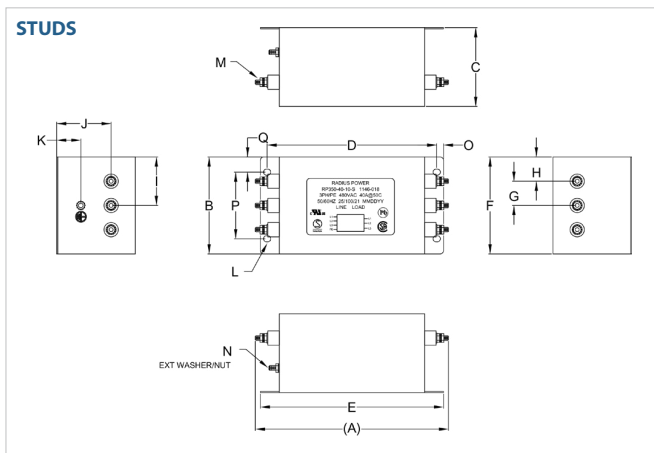
RP350

3-PHASE DELTA COMPACT SINGLE STAGE POWER LINE FILTER

MODEL NO.	RATED CURRENT, A @ 40° C	Y-CAP, nF	LEAKAGE CURRENT mA, @ 480V AC/60 Hz	TERMINAL OPTIONS			MAX. DIMENSIONS" (MM)		
				(W) INPUT/ OUTPUT	(S) INPUT/ OUTPUT	(C) INPUT/ OUTPUT	WIDTH	(LENGTH)	HEIGHT
RP350-100-2000-S	100	2000	20.00		✓		4.00"(102)	9.03"(229)	3.25"(83)
RP350-100-2000-W	100	2000	20.00	✓			*	*	*

*Contact factory for dimensions.

RP350 MECHANICAL OUTLINES (MM)



SERIES	(A)	B	C	D	E	F	G	H	I	J	K	L	M	N	O	P	Q
STUDS (20/40/60A)	7.97" (202)	4.00" (102)	3.25" (83)	7.00" (178)	7.56" (192)	4.00" (102)	1.00" (25)	1.00" (25)	2.00" (51)	2.25" (57)	1.00" (25)	Ø 0.25" Ø 6.4x7.6, 4x	STUD M5, 6x	STUD GND M5	0.28" (7)	2.75" (70)	0.63" (16)
STUDS (80A)	8.36" (212)	4.00" (102)	3.25" (83)	7.00" (178)	7.56" (192)	4.00" (102)	1.00" (25)	1.00" (25)	2.00" (51)	2.25" (57)	1.00" (25)	Ø 0.29" Ø 7.6x6.4, 4x	STUD, M6, 6x	STUD, GND, M6	0.28" (7)	2.75" (70)	0.63" (16)
STUDS (100A)	9.03" (229)	4.00" (102)	3.25" (83)	7.00" (178)	7.56" (192)	4.00" (102)	1.61" (41)	1.19" (30)	0.79" (20)	0.67" (17)	0.67" (17)	Ø 0.29" Ø 7.6x6.4, 4x	CONNECTOR, 7x	N/A	0.28" (7)	2.75" (70)	0.63" (16)

TYPICAL TOLERANCE: +/-0.02" (0.50MM)

RP350

3-PHASE **DELTA** COMPACT SINGLE STAGE POWER LINE FILTER

TYPICAL INSERTION LOSS, dB (50/50 Ohm)

Amps	Freq (MHz)	0.15	0.5	1.0	10	30
20	CM (dB)	60	70	65	60	40
	DM (dB)	55	70	70	70	60
40	CM (dB)	45	55	55	50	40
	DM (dB)	46	65	70	70	60
60	CM (dB)	42	52	55	50	40
	DM (dB)	40	60	65	65	60
80	CM (dB)	36	50	50	48	40
	DM (dB)	36	55	55	58	50
100	CM (dB)	30	48	50	46	35
	DM (dB)	30	50	50	45	45