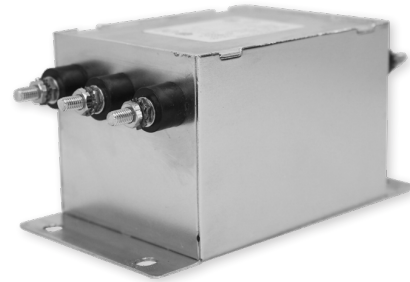


RP360

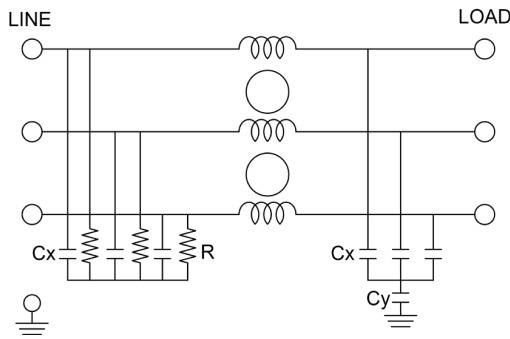
3-PHASE DELTA COMPACT SINGLE STAGE POWER LINE FILTER

FEATURES

- » Rated currents include **20A, 40A, and 60A**
- » Single Stage Line Filter
- » Available with **W** (wires), **S** (studs) and **C** (connectors) option
- » Compact Design
- » Agency Approved to UL1283 / 60929, CSA C22.2, EN 60939
- » Y-cap value can be adjusted to fit specification



ELECTRICAL SCHEMATIC



SPECIFICATIONS

| | |
|------------------------|--|
| OPERATING FREQUENCY | 50/60Hz |
| USABLE FREQUENCY | DC - 400 Hz |
| MAX. OPERATING VOLTAGE | 480 V +10% |
| AMBIENT TEMPERATURE | -25 TO 50°C |
| CLIMATIC CATEGORY | 25/100/21 |
| TERMINALS (-T) | WIRE LEADS STUDS (M5) CONNECTORS |

TYP. WEIGHT, LBS (KG) 3.0 (1.4)

TYPICAL LEAKAGE CURRENT

@ 480 VAC 60 Hz 0 - 1.0 mA Max.

HIPOT RATINGS

LINE TO GROUND 3500 VDC

TYPICAL APPLICATIONS

- ✓ Laser products
- ✓ Industrial automation equipment
- ✓ Industrial Lighting
- ✓ Testing & measurement
- ✓ Ultrasonic cleaners

HOW TO ORDER

RP360-X-Y-Z

- Z = TERMINAL (-T)
- Y = Y-CAP, NF
- X = RATED CURRENT
- RP360 = FILTER SERIES

NOTE: USE ANY COMBINATION OF -X (AMPS) WITH ANY -Y RATINGS

E.G. **RP360-20-10-S** (20AMPS WITH 10 NF YCAP)

For **X, Y** and **Z** options see product specification table.

RP360

3-PHASE DELTA COMPACT SINGLE STAGE POWER LINE FILTER

| MODEL NO. | RATED CURRENT, A @ 40° C | Y-CAP, nF | LEAKAGE CURRENT mA, @ 480V AC/60 Hz | TERMINAL OPTIONS | | | MAX. DIMENSIONS" (MM) | | |
|----------------|--------------------------|-----------|-------------------------------------|-------------------|-------------------|-------------------|-----------------------|------------|-----------|
| | | | | (W) INPUT/ OUTPUT | (S) INPUT/ OUTPUT | (C) INPUT/ OUTPUT | WIDTH | (LENGTH) | HEIGHT |
| RP360-20-0-S | 20 | 0 | - | | ✓ | | 3.00"(76) | 5.97"(152) | 2.75"(70) |
| RP360-20-0-W | 20 | 0 | - | ✓ | | | * | * | * |
| RP360-20-10-S | 20 | 10 | 0.10 | | ✓ | | 3.00"(76) | 5.97"(152) | 2.75"(70) |
| RP360-20-10-W | 20 | 10 | 0.10 | ✓ | | | * | * | * |
| RP360-20-100-S | 20 | 100 | 1.00 | | ✓ | | 3.00"(76) | 5.97"(152) | 2.75"(70) |
| RP360-20-100-W | 20 | 100 | 1.00 | ✓ | | | * | * | * |
| RP360-40-0-C | 40 | 0 | - | | | ✓ | * | * | * |
| RP360-40-0-S | 40 | 0 | - | | ✓ | | 3.00"(76) | 5.97"(152) | 2.75"(70) |
| RP360-40-0-W | 40 | 0 | - | ✓ | | | * | * | * |
| RP360-40-10-C | 40 | 10 | 0.10 | | | ✓ | * | * | * |
| RP360-40-10-S | 40 | 10 | 0.10 | | ✓ | | 3.00"(76) | 5.97"(152) | 2.75"(70) |
| RP360-40-10-W | 40 | 10 | 0.10 | ✓ | | | * | * | * |
| RP360-40-100-C | 40 | 100 | 1.00 | | | ✓ | * | * | * |
| RP360-40-100-S | 40 | 100 | 1.00 | | ✓ | | 3.00"(76) | 5.97"(152) | 2.75"(70) |
| RP360-40-100-W | 40 | 100 | 1.00 | ✓ | | | * | * | * |
| RP360-60-0-C | 60 | 0 | - | | | ✓ | * | * | * |
| RP360-60-0-S | 60 | 0 | - | | ✓ | | 3.00"(76) | 5.97"(152) | 2.75"(70) |
| RP360-60-0-W | 60 | 0 | - | ✓ | | | * | * | * |
| RP360-60-10-C | 60 | 10 | 0.10 | | | ✓ | * | * | * |
| RP360-60-10-S | 60 | 10 | 0.10 | | ✓ | | 3.00"(76) | 5.97"(152) | 2.75"(70) |
| RP360-60-10-W | 60 | 10 | 0.10 | ✓ | | | * | * | * |
| RP360-60-100-C | 60 | 100 | 1.00 | | | ✓ | * | * | * |
| RP360-60-100-S | 60 | 100 | 1.00 | | ✓ | | 3.00"(76) | 5.97"(152) | 2.75"(70) |
| RP360-60-100-W | 60 | 100 | 1.00 | ✓ | | | * | * | * |

*Contact factory for dimensions.

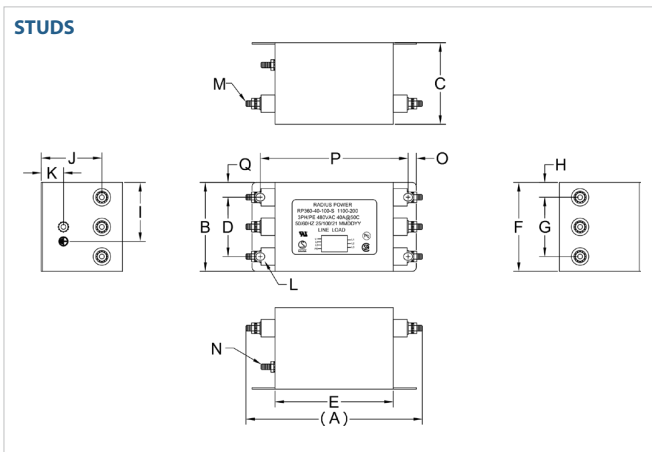
TYPICAL INSERTION LOSS, dB (50/50 Ohm)

| Amps | Freq (MHz) | Insertion Loss (dB) | | | | |
|------|------------|---------------------|-----|-----|----|----|
| | | 0.15 | 0.5 | 1.0 | 10 | 30 |
| 20 | CM (dB) | 45 | 55 | 55 | 50 | 40 |
| | DM (dB) | 46 | 70 | 70 | 70 | 60 |
| 40 | CM (dB) | 36 | 48 | 52 | 50 | 40 |
| | DM (dB) | 40 | 65 | 70 | 65 | 60 |
| 60 | CM (dB) | 35 | 48 | 50 | 50 | 42 |
| | DM (dB) | 36 | 58 | 60 | 62 | 55 |

RP360

3-PHASE DELTA COMPACT SINGLE STAGE POWER LINE FILTER

RP360 MECHANICAL OUTLINES (MM)



| SERIES | (A) | B | C | D | E | F | G | H | I | J | K | L | M | N | O | P | Q |
|--------------------|-------|-------|-------|-------|-------|-------|-------|-------|-------|-------|-------|----------------|--------|---------|-------|-------|-------|
| STUDS | 5.97" | 3.00" | 2.75" | 2.00" | 4.00" | 3.00" | 2.00" | 0.50" | 1.99" | 2.05" | 0.77" | Ø 0.29x0.25,4x | STUD, | STUD, | 0.28" | 5.00" | 0.50" |
| (20/40/60A) | (152) | (76) | (70) | (51) | (102) | (76) | (51) | (13) | (51) | (52) | (20) | Ø, 7.6x6.4, 4x | M5, 6x | GND, M5 | (7) | (127) | (13) |

TYPICAL TOLERANCE: +/-0.02" (0.50MM)