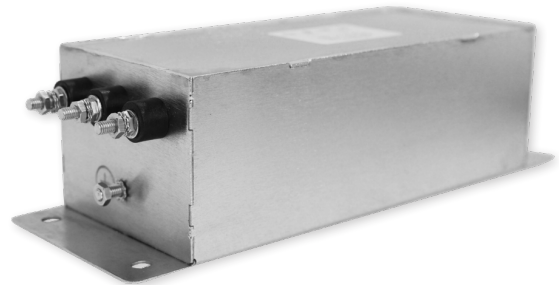


RP380

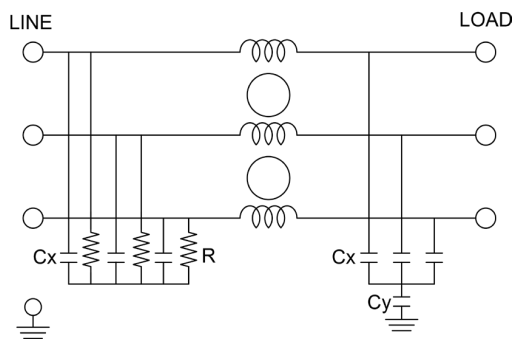
3 PHASE, DELTA POWER LINE FILTER, 600V

FEATURES

- » Rated currents include **15A, 30A, 50A, 80A, 100A, 150A, 200A, and 300A**
- » Single Stage Line Filter
- » Available with **W** (wires), **S** (studs) and **C** (connectors) option
- » Agency Approved to UL1283 / 60929, CSA C22.2, EN 60939
- » Y-cap value can be adjusted to fit specification



ELECTRICAL SCHEMATIC



HOW TO ORDER

RP380-X-Y-Z



NOTE: USE ANY COMBINATION OF -X (AMPS) WITH ANY -Y RATINGS

E.G. **RP380-80-10-S** (80AMPS WITH 10 NF YCAP)

For **X, Y** and **Z** options see product specification table.

SPECIFICATIONS

OPERATING FREQUENCY	50/60Hz
USABLE FREQUENCY	DC - 400 Hz
MAX. OPERATING VOLTAGE	600 V +10%
AMBIENT TEMPERATURE	-25 TO 50°C
CLIMATIC CATEGORY	25/100/21
TERMINALS (-T)	WIRELEADS
	STUDS 15-50A(M5)
	80-100A(M6)
	150-200A(M10)
	300A (M12)
	CONNECTORS

TYP. WEIGHT, LBS (KG) 5.0 - 35.0 (2.3 - 16.0)

TYPICAL LEAKAGE CURRENT

@ 480 VAC 60 Hz 0 - 25.0 mA Max.

HIPOT RATINGS

LINE TO GROUND 3800 VDC

TYPICAL APPLICATIONS

- ✓ Power conversion systems
- ✓ Processing equipment
- ✓ Alternative energy equipment (EV charging & solar)
- ✓ Factory Machinery

RP380

3 PHASE, **DELTA** POWER LINE FILTER, 600V

MODEL NO.	RATED CURRENT, A @ 40° C	Y-CAP, nF	LEAKAGE CURRENT mA, @ 480V AC/60 Hz	TERMINAL OPTIONS			MAX. DIMENSIONS" (MM)		
				(W) INPUT/OUTPUT	(S) INPUT/OUTPUT	(C) INPUT/OUTPUT	WIDTH	(LENGTH)	HEIGHT
RP380-15-0-S	15	0	-		✓		3.50"(89)	10.00"(254)	2.75"(70)
RP380-15-0-W	15	0	-	✓			*	*	*
RP380-15-10-S	15	10	0.10		✓		3.50"(89)	10.00"(254)	2.75"(70)
RP380-15-10-W	15	10	0.10	✓			*	*	*
RP380-15-100-S	15	100	1.00		✓		3.50"(89)	10.00"(254)	2.75"(70)
RP380-15-100-W	15	100	1.00	✓			*	*	*
RP380-15-1000-S	15	1000	10.00		✓		3.50"(89)	10.00"(254)	2.75"(70)
RP380-15-1000-W	15	1000	10.00	✓			*	*	*
RP380-15-2000-S	15	2000	20.00		✓		3.50"(89)	10.00"(254)	2.75"(70)
RP380-15-2000-W	15	2000	20.00	✓			*	*	*
RP380-30-0-C	30	0	-			✓	*	*	*
RP380-30-0-S	30	0	-		✓		3.50"(89)	10.00"(254)	2.75"(70)
RP380-30-0-W	30	0	-	✓			*	*	*
RP380-30-10-C	30	10	0.10			✓	*	*	*
RP380-30-10-S	30	10	0.10		✓		3.50"(89)	10.00"(254)	2.75"(70)
RP380-30-10-W	30	10	0.10	✓			*	*	*
RP380-30-100-C	30	100	1.00			✓	*	*	*
RP380-30-100-S	30	100	1.00		✓		3.50"(89)	10.00"(254)	2.75"(70)
RP380-30-100-W	30	100	1.00	✓			*	*	*
RP380-30-1000-C	30	1000	10.00			✓	*	*	*
RP380-30-1000-S	30	1000	10.00		✓		3.50"(89)	10.00"(254)	2.75"(70)
RP380-30-1000-W	30	1000	10.00	✓			*	*	*
RP380-30-2000-C	30	2000	20.00			✓	*	*	*
RP380-30-2000-S	30	2000	20.00		✓		3.50"(89)	10.00"(254)	2.75"(70)
RP380-30-2000-W	30	2000	20.00	✓			*	*	*
RP380-50-0-C	50	0	-			✓	*	*	*
RP380-50-0-S	50	0	-		✓		3.50"(89)	10.00"(254)	2.75"(70)
RP380-50-0-W	50	0	-	✓			*	*	*
RP380-50-10-C	50	10	0.10			✓	*	*	*
RP380-50-10-S	50	10	0.10		✓		3.50"(89)	10.00"(254)	2.75"(70)
RP380-50-10-W	50	10	0.10	✓			*	*	*
RP380-50-100-C	50	100	1.00			✓	*	*	*
RP380-50-100-S	50	100	1.00		✓		3.50"(89)	10.00"(254)	2.75"(70)
RP380-50-100-W	50	100	1.00	✓			*	*	*

ADDITIONAL MODEL NO. >>

RP380

3 PHASE, DELTA POWER LINE FILTER, 600V

MODEL NO.	RATED CURRENT, A @ 40° C	Y-CAP, nF	LEAKAGE CURRENT mA, @ 480V AC/60 Hz	TERMINAL OPTIONS			MAX. DIMENSIONS" (MM)		
				(W) INPUT/OUTPUT	(S) INPUT/OUTPUT	(C) INPUT/OUTPUT	WIDTH	(LENGTH)	HEIGHT
RP380-50-1000-C	50	1000	10.00			✓	*	*	*
RP380-50-1000-S	50	1000	10.00		✓		3.50"(89)	10.00"(254)	2.75"(70)
RP380-50-1000-W	50	1000	10.00	✓			*	*	*
RP380-50-2000-C	50	2000	20.00			✓	*	*	*
RP380-50-2000-S	50	2000	20.00		✓		3.50"(89)	10.00"(254)	2.75"(70)
RP380-50-2000-W	50	2000	20.00	✓			*	*	*
RP380-80-0-C	80	0	-			✓	*	*	*
RP380-80-0-S	80	0	-		✓		4.00"(102)	12.36"(314)	3.25"(83)
RP380-80-0-W	80	0	-	✓			*	*	*
RP380-80-10-C	80	10	0.10			✓	*	*	*
RP380-80-10-S	80	10	0.10		✓		4.00"(102)	12.36"(314)	3.25"(83)
RP380-80-10-W	80	10	0.10	✓			*	*	*
RP380-80-100-C	80	100	1.00			✓	*	*	*
RP380-80-100-S	80	100	1.00		✓		4.00"(102)	12.36"(314)	3.25"(83)
RP380-80-100-W	80	100	1.00	✓			*	*	*
RP380-80-1000-C	80	1000	10.00			✓	*	*	*
RP380-80-1000-S	80	1000	10.00		✓		4.00"(102)	12.36"(314)	3.25"(83)
RP380-80-1000-W	80	1000	10.00	✓			*	*	*
RP380-80-2000-C	80	2000	20.00			✓	*	*	*
RP380-80-2000-S	80	2000	20.00		✓		4.00"(102)	12.36"(314)	3.25"(83)
RP380-80-2000-W	80	2000	20.00	✓			*	*	*
RP380-100-0-C	100	0	-			✓	*	*	*
RP380-100-0-S	100	0	-		✓		6.60"(168)	15.75"(400)	4.50"(114)
RP380-100-0-W	100	0	-	✓			*	*	*
RP380-100-10-C	100	10	0.10			✓	*	*	*
RP380-100-10-S	100	10	0.10		✓		6.60"(168)	15.75"(400)	4.50"(114)
RP380-100-10-W	100	10	0.10	✓			*	*	*
RP380-100-100-C	100	100	1.00			✓	*	*	*
RP380-100-100-S	100	100	1.00		✓		6.60"(168)	15.75"(400)	4.50"(114)
RP380-100-100-W	100	100	1.00	✓			*	*	*
RP380-100-1000-C	100	1000	10.00			✓	*	*	*
RP380-100-1000-S	100	1000	10.00		✓		6.60"(168)	15.75"(400)	4.50"(114)
RP380-100-1000-W	100	1000	10.00	✓			*	*	*
RP380-100-2000-C	100	2000	20.00			✓	*	*	*

ADDITIONAL MODEL NO. >>

RP380

3 PHASE, **DELTA** POWER LINE FILTER, 600V

MODEL NO.	RATED CURRENT, A @ 40° C	Y-CAP, nF	LEAKAGE CURRENT mA, @ 480V AC/60 Hz	TERMINAL OPTIONS			MAX. DIMENSIONS" (MM)		
				(W) INPUT/OUTPUT	(S) INPUT/OUTPUT	(C) INPUT/OUTPUT	WIDTH	(LENGTH)	HEIGHT
RP380-100-2000-S	100	2000	20.00		✓		6.60"(168)	15.75"(400)	4.50"(114)
RP380-100-2000-W	100	2000	20.00	✓			*	*	*
RP380-150-0-C	150	0	-			✓	*	*	*
RP380-150-0-S	150	0	-		✓		6.60"(168)	15.75"(400)	4.50"(114)
RP380-150-0-W	150	0	-	✓			*	*	*
RP380-150-10-C	150	10	0.10			✓	*	*	*
RP380-150-10-S	150	10	0.10		✓		6.60"(168)	15.75"(400)	4.50"(114)
RP380-150-10-W	150	10	0.10	✓			*	*	*
RP380-150-100-C	150	100	1.00			✓	*	*	*
RP380-150-100-S	150	100	1.00		✓		6.60"(168)	15.75"(400)	4.50"(114)
RP380-150-100-W	150	100	1.00	✓			*	*	*
RP380-150-1000-C	150	1000	10.00			✓	*	*	*
RP380-150-1000-S	150	1000	10.00		✓		6.60"(168)	15.75"(400)	4.50"(114)
RP380-150-1000-W	150	1000	10.00	✓			*	*	*
RP380-150-2000-C	150	2000	20.00			✓	*	*	*
RP380-150-2000-S	150	2000	20.00		✓		6.60"(168)	15.75"(400)	4.50"(114)
RP380-150-2000-W	150	2000	20.00	✓			*	*	*
RP380-200-0-C	200	0	-			✓	*	*	*
RP380-200-0-S	200	0	-		✓		6.60"(168)	15.75"(400)	4.50"(114)
RP380-200-0-W	200	0	-	✓			*	*	*
RP380-200-10-C	200	10	0.10			✓	*	*	*
RP380-200-10-S	200	10	0.10		✓		6.60"(168)	15.75"(400)	4.50"(114)
RP380-200-10-W	200	10	0.10	✓			*	*	*
RP380-200-100-C	200	100	1.00			✓	*	*	*
RP380-200-100-S	200	100	1.00		✓		6.60"(168)	15.75"(400)	4.50"(114)
RP380-200-100-W	200	100	1.00	✓			*	*	*
RP380-200-1000-C	200	1000	10.00			✓	*	*	*
RP380-200-1000-S	200	1000	10.00		✓		6.60"(168)	15.75"(400)	4.50"(114)
RP380-200-1000-W	200	1000	10.00	✓			*	*	*
RP380-200-2000-C	200	2000	20.00			✓	*	*	*
RP380-200-2000-S	200	2000	20.00		✓		6.60"(168)	15.75"(400)	4.50"(114)
RP380-200-2000-W	200	2000	20.00	✓			*	*	*
RP380-300-0-S	300	0	-		✓		7.00"(178)	21.54"(547)	5.00"(127)
RP380-300-10-S	300	10	0.15		✓		7.00"(178)	21.54"(547)	5.00"(127)

ADDITIONAL MODEL NO. >>

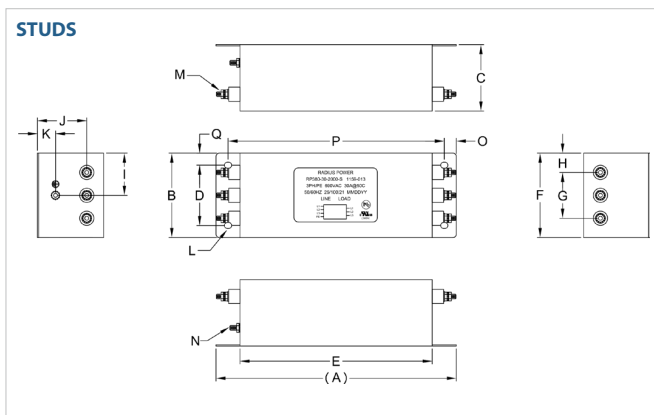
RP380

3 PHASE, **DELTA** POWER LINE FILTER, 600V

MODEL NO.	RATED CURRENT, A @ 40° C	Y-CAP, nF	LEAKAGE CURRENT mA, @ 480V AC/60 Hz	TERMINAL OPTIONS			MAX. DIMENSIONS" (MM)		
				(W) INPUT/OUTPUT	(S) INPUT/OUTPUT	(C) INPUT/OUTPUT	WIDTH	(LENGTH)	HEIGHT
RP380-300-100-S	300	100	1.50		✓		7.00"(178)	21.54"(547)	5.00"(127)
RP380-300-1000-S	300	1000	15.00		✓		7.00"(178)	21.54"(547)	5.00"(127)
RP380-300-2000-S	300	2000	25.00		✓		7.00"(178)	21.54"(547)	5.00"(127)

*Contact factory for dimensions.

RP380 MECHANICAL OUTLINES (MM)



SERIES	(A)	B	C	D	E	F	G	H	I	J	K	L	M	N	O	P	Q
STUDS (15/30/50A)	10.00" (254)	3.50" (89)	2.75" (70)	2.50" (64)	8.00" (203)	3.50" (89)	1.90" (48)	0.80" (20)	1.75" (44)	2.05" (52)	0.75" (19)	Ø0.29x0.25 Ø7.6x6.4, 4x	STUD, M5, 6x	STUD, GND, M5	0.50" (13)	9.00" (229)	0.50" (13)
STUDS (80A)	12.36" (314)	4.00" (102)	3.25" (83)	3.00" (76)	10.00" (254)	4.00" (102)	2.00" (51)	0.50" (13)	2.00" (51)	2.25" (57)	1.00" (25)	Ø0.25x0.30" (Ø6.35x7.62)	STUD, M6, 8x	STUD, GND, M6	0.50" (13)	11.00" (279)	0.50" (13)
STUDS (100/150/200A)	15.75" (400)	6.60" (168)	4.50" (114)	5.12" (130)	12.00" (330)	6.60" (168)	3.30" (84)	1.65" (42)	3.30" (84)	3.50" (89)	1.00" (25)	Ø0.30x0.60" (Ø7.62x15.2)	STUD, M6, 8x	STUD, GND, M6	0.51" (13)	14.70" (374)	0.74" (19)
STUDS (300A)	21.54" (547)	7.00" (178)	5.00" (127)	6.00" (154)	18.00" (457)	7.00" (178)	3.50" (89)	1.75" (44)	3.50" (89)	4.00" (102)	1.00" (25)	Ø0.30x0.60" (Ø7.62x15.2)	STUD, M6, 8x	STUD, GND, M6	0.50" (13)	19.00" (483)	0.50" (13)

TYPICAL TOLERANCE: +/-0.02" (0.50MM)

RP380

3 PHASE, **DELTA** POWER LINE FILTER, 600V

TYPICAL INSERTION LOSS, dB (50/50 Ohm)

Amps	Freq (MHz)	0.15	0.5	1.0	10	30
15	CM (dB)	55	65	65	52	40
	DM (dB)	55	65	70	70	60
30	CM (dB)	55	65	65	52	40
	DM (dB)	55	65	70	70	60
50	CM (dB)	50	65	65	52	40
	DM (dB)	50	60	65	70	55
80	CM (dB)	45	55	55	50	40
	DM (dB)	50	55	60	50	30
100	CM (dB)	60	65	65	50	30
	DM (dB)	50	60	60	50	30
150	CM (dB)	55	60	60	50	30
	DM (dB)	45	55	60	50	30
200	CM (dB)	50	55	55	45	30
	DM (dB)	45	55	55	50	30
300	CM (dB)	50	55	55	42	30
	DM (dB)	45	50	50	40	30