

DP

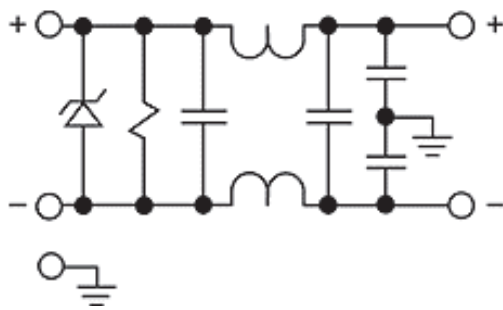
HIGH PERFORMANCE POLARIZED DC INPUT FILTER

FEATURES

- » Rated currents include **5A, 10A, 15A, 20A, 30A, 45A, and 60A**
- » Designed for use as balanced input filters for DC input power
- » Single Stage Line Filter
- » Available with **QD** (tabs) and **S** (studs) option
- » High Performance Design
- » Low Profile & Flange Mount Available



ELECTRICAL SCHEMATIC



SPECIFICATIONS

| | |
|------------------------|--|
| OPERATING FREQUENCY | 50/60Hz, 50/400Hz |
| MAX. OPERATING VOLTAGE | 50VDC +10% |
| TERMINALS (-T) | QD: 0.25 TABS STUDS: 8-32 (15-30A), 10-32(45A) |
| TYP. WEIGHT, LBS (KG) | 0.20 - 1.63 (0.09 - 0.73) |

LEAKAGE CURRENT

@ 250 VAC 60 Hz Contact Factory

HIPOT RATINGS

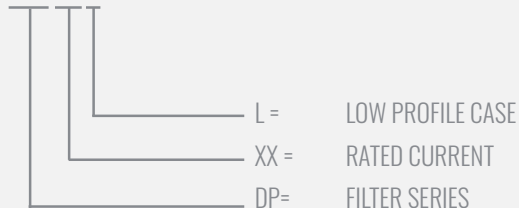
LINE TO GROUND 100 VDC - 500 VDC

TYPICAL APPLICATIONS

- ✓ High power rectifiers
- ✓ Uninterrupted power supplies
- ✓ Inverters
- ✓ VFD
- ✓ PWM

HOW TO ORDER

DP XX L



NOTE: USE ANY COMBINATION OF -X (AMPS)
E.G. **DP60 L**(60 AMPS, LOW PROFILE CASE)

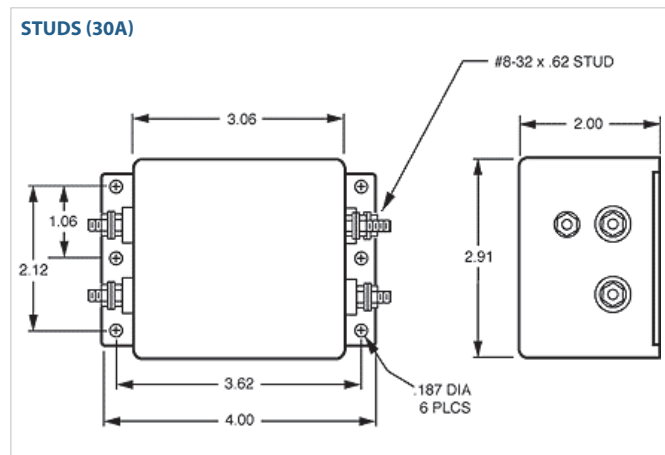
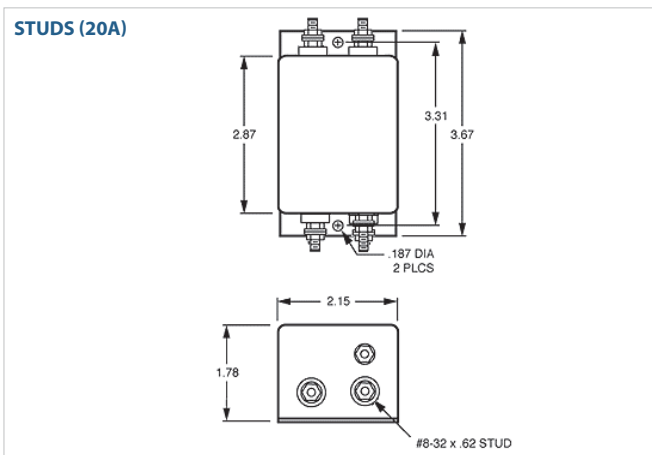
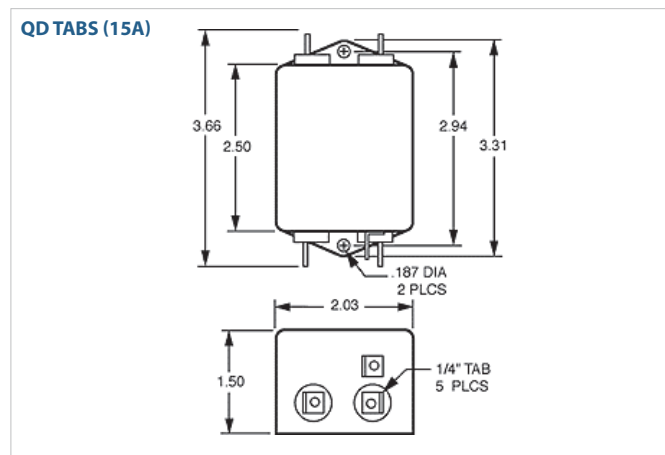
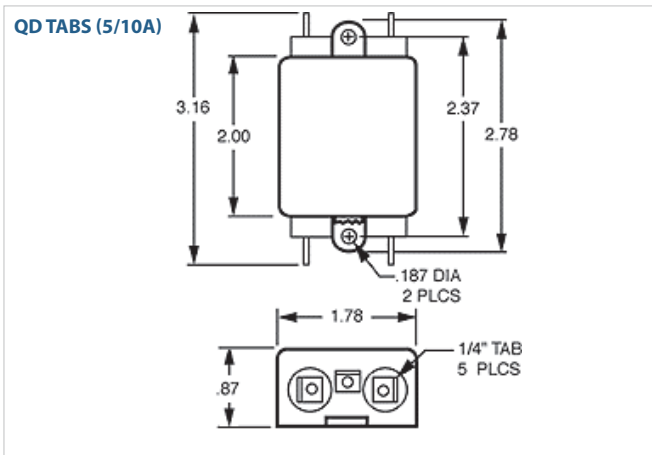
DP

HIGH PERFORMANCE POLARIZED DC INPUT FILTER

| MODEL NO. | RATED CURRENT (A) @ 40° C | Y-CAP, nF | LEAKAGE CURRENT, mA @ 250V AC, 60 Hz | TERMINAL OPTIONS | | | MAX. DIMENSIONS" (MM) | | |
|-----------|---------------------------|-----------|--------------------------------------|-------------------|-------------------|-------------------|-----------------------|----------|--------|
| | | | | (QD)INPUT/ OUTPUT | (S) INPUT/ OUTPUT | (C) INPUT/ OUTPUT | WIDTH | (LENGTH) | HEIGHT |
| DP5 | 5 | 2x.15µF | 1.8 | ✓ | | | 1.78" | 3.04" | 0.88" |
| DP10 | 10 | 2x.15µF | 1.8 | ✓ | | | 1.78" | 3.2" | 1.12" |
| DP15 | 15 | 2x.15µF | 1.8 | | ✓ | | 2.03" | 3.7" | 1.5" |
| DP15 S | 15 | 2x.15µF | 1.8 | | ✓ | | 2.03" | 3.76" | 1.5" |
| DP20 | 20 | 2x.15µF | 1.8 | | ✓ | | 2.15" | 4.13" | 1.78" |
| DP30 | 30 | 2x.15µF | 1.8 | | ✓ | | 2.91" | 4.32" | 2" |
| DP45 FG | 45 | 2x.15µF | 2.4 | | ✓ | | 3" | 6.11" | 3" |
| DP45 | 45 | 2x.15µF | 2.4 | | ✓ | | 3" | 5.50" | 3" |
| DP60 L | 60 | 2x.15µF | 2.4 | | ✓ | | 4.25" | 7.75" | 2.25" |

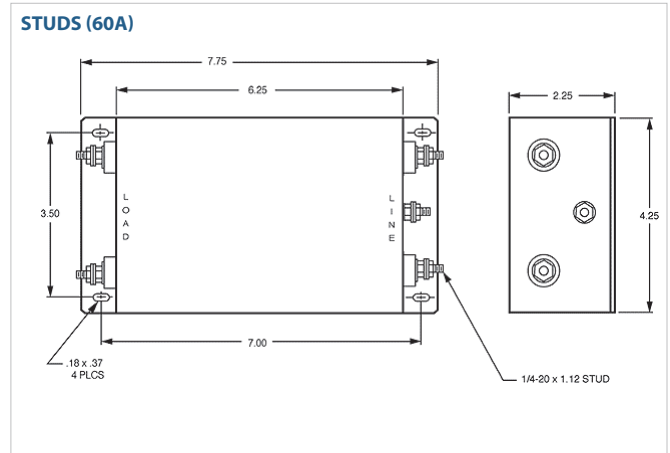
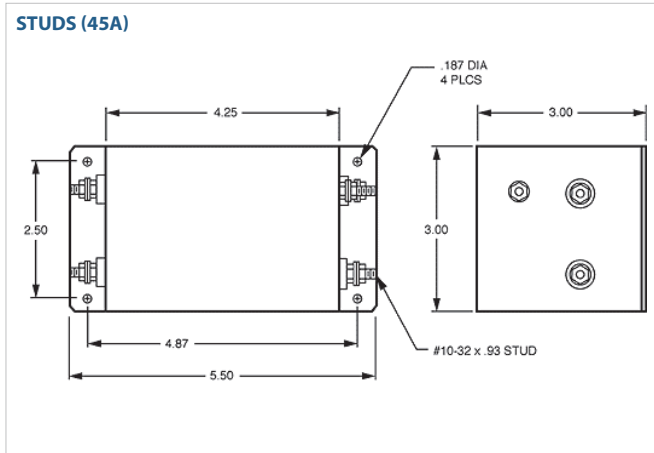
*Contact factory for part data.

DP MECHANICAL OUTLINES (MM)



DP

HIGH PERFORMANCE POLARIZED DC INPUT FILTER



TYPICAL TOLERANCE: +/-0.02" (0.50MM)

TYPICAL INSERTION LOSS, dB (50/50 Ohm)

| Amps | Freq (MHz) | 0.15 | 0.5 | 1.0 | 10 | 30 |
|------|------------|------|-----|-----|----|----|
| 5 | CM (dB) | 60 | 60 | 53 | 54 | 55 |
| | DM (dB) | 40 | 60 | 39 | 47 | 51 |
| 10 | CM (dB) | 60 | 60 | 53 | 54 | 55 |
| | DM (dB) | 40 | 60 | 39 | 47 | 51 |
| 15 | CM (dB) | 60 | 60 | 53 | 54 | 55 |
| | DM (dB) | 40 | 60 | 39 | 47 | 51 |
| 20 | CM (dB) | 60 | 60 | 53 | 54 | 55 |
| | DM (dB) | 40 | 60 | 39 | 47 | 51 |
| 30 | CM (dB) | 60 | 60 | 53 | 54 | 55 |
| | DM (dB) | 40 | 60 | 39 | 47 | 51 |
| 45 | CM (dB) | 60 | 60 | 53 | 54 | 55 |
| | DM (dB) | 40 | 60 | 39 | 47 | 51 |
| 60 | CM (dB) | 60 | 60 | 53 | 54 | 55 |
| | DM (dB) | 30 | 45 | 39 | 47 | 51 |