

DT

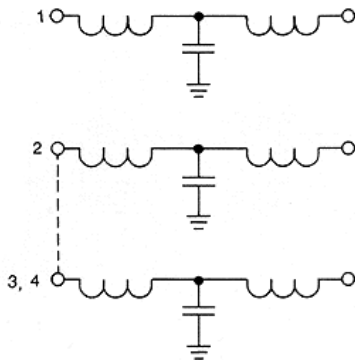
MULTI CHANNEL DC FILTER

FEATURES

- » **Rated currents** include **6A**
- » Provide independent multiple t section filters for use with multiple voltage DC power and/or control lines
- » Available with **QD** (tabs) and **S** (studs) option
- » Y-cap value can be adjusted to fit specification

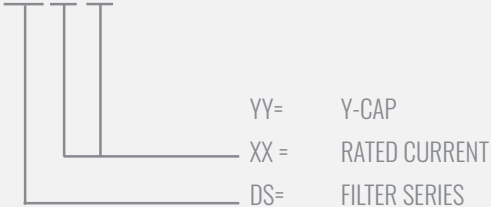


ELECTRICAL SCHEMATIC



HOW TO ORDER

DT XX YY



NOTE: USE ANY COMBINATION OF -X (AMPS) WITH ANY -Y RATINGS
E.G. **DT61**(6 AMPS, 1.0 μ F Y-CAP)

SPECIFICATIONS

MAX. OPERATING VOLTAGE	60VDC +10%
TERMINALS (-T)	QD: 0.25 TABS/ STUDS: 8-32 (6A)
TYP. WEIGHT, LBS (KG)	0.62 (0.28)

LEAKAGE CURRENT

@ 250 VAC 60 Hz

HIPOT RATINGS

LINE TO GROUND	200 VDC
-----------------------	---------

TYPICAL APPLICATIONS

- ✓ High power rectifiers
- ✓ Uninterrupted power supplies
- ✓ Inverters
- ✓ VFD
- ✓ PWM

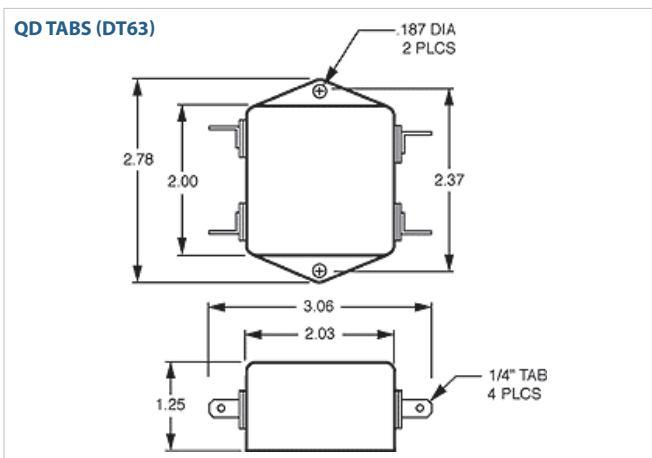
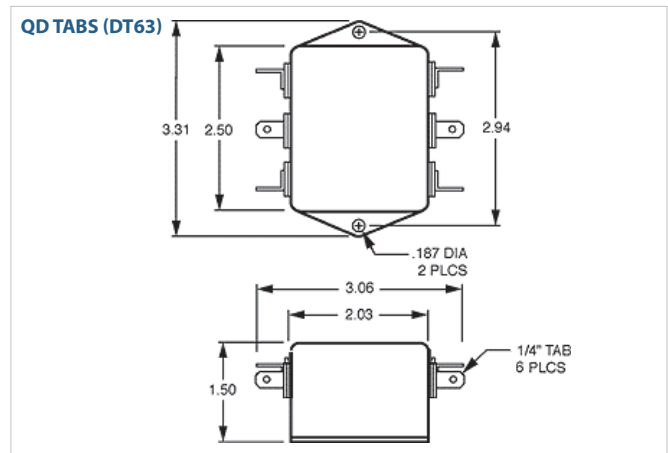
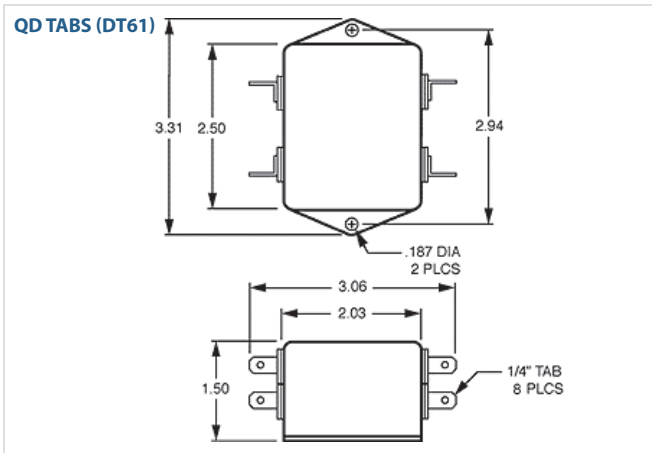
DT

MULTI CHANNEL DC FILTER

MODEL NO.	RATED CURRENT (A) @ 40° C	Y-CAP, nF	LEAKAGE CURRENT, mA @ 250V AC, 60 Hz	TERMINAL OPTIONS			MAX. DIMENSIONS" (MM)		
				(QD) INPUT/ OUTPUT	(S) INPUT/ OUTPUT	(C) INPUT/ OUTPUT	WIDTH	(LENGTH)	HEIGHT
DT61	6	1.0µF	*	✓			2.78"	3.23"	1.25"
DT61 S	6	1.0µF	*		✓		2.78"	3.29"	1.25"
DT62	6	2x1.0µF	*	✓			2.78"	3.23"	1.25"
DT63	6	3x1.0µF	*	✓			3.31"	3.23"	1.5"
DT64	6	4x1.0µF	*	✓			3.19"	3.67"	1.78"

*Contact factory for part data.

DT MECHANICAL OUTLINES (MM)



TYPICAL TOLERANCE: +/-0.02" (0.50MM)



DT

MULTI CHANNEL DC FILTER

TYPICAL INSERTION LOSS, dB (50/50 Ohm)

Amps	Freq (MHz)	0.15	0.5	1.0	10	30
6	CM (dB)	*	*	*	*	*
	DM (dB)	27	50	46	64	73

*Contact factory for part data.



DT

MULTI CHANNEL DC FILTER