

# RP692

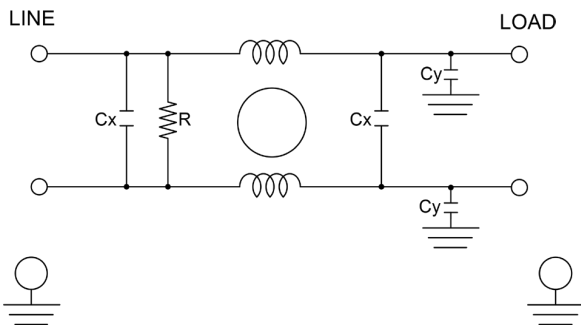
## HIGH VOLTAGE/HIGH CURRENT DC POWER LINE FILTER, 1200VDC

### FEATURES

- » Rated currents include **25A, 50A, 75A, 100A, 150A, 250A, 400A, 600A, 800A, 1000A, 1500A and 2500A**
- » Single Stage Line Filter
- » Available with **W** (wires), **S** (studs), **C** (connectors), and **B** (bus bars) option
- » High Voltage/High Current Design
- » Agency Approved to UL1283 / 60929, CSA C22.2, EN 60939
- » Y-cap value can be adjusted to fit specification



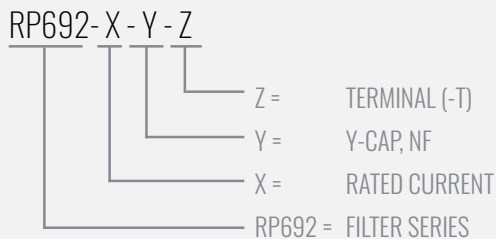
### ELECTRICAL SCHEMATIC



### SPECIFICATIONS

<b>MAX. OPERATING VOLTAGE</b>	1200V +10%
<b>AMBIENT TEMPERATURE</b>	-25 TO 60°C
<b>CLIMATIC CATEGORY</b>	25/100/21
<b>TERMINALS (-T)</b>	WIRE LEADS STUDS 25-50A (M5), 75A (M6), 100A(M8), 150A (M10) CONNECTORS BUSBARS 250A (5X20), 400A (6X25), 600A (8X25), 800-1000A (8X40), 1500A (10X60), 2500A (15X70)
<b>TYP. WEIGHT, LBS (KG)</b>	3.0 - 60.0 (1.3 - 27.21)

### HOW TO ORDER



**NOTE:** USE ANY COMBINATION OF -X (AMPS) WITH ANY -Y RATINGS  
E.G. **RP692-250-100-B**(250AMPS WITH 100 NF YCAP)  
For **X, Y,** and **Z** options see product specification table.

### HIPOT RATINGS

<b>LINE TO GROUND</b>	4700 VDC
-----------------------	----------

### TYPICAL APPLICATIONS

- ✓ High power rectifiers
- ✓ Uninterrupted power supplies
- ✓ Inverters
- ✓ VDF & PWM
- ✓ DC fast chargers
- ✓ Induction charging
- ✓ Industrial chargers
- ✓ Solar

# RP692

## HIGH VOLTAGE/HIGH CURRENT DC POWER LINE FILTER, 1200VDC

MODEL NO.	RATED CURRENT, A @ 60° C	Y-CAP, nF	TERMINAL OPTIONS				MAX. DIMENSIONS" (MM)		
			(W) INPUT/OUTPUT	(S) INPUT/OUTPUT	(C) INPUT/OUTPUT	(B) INPUT/OUTPUT	WIDTH	(LENGTH)	HEIGHT
RP692-25-100-C	25	100			✓		*	*	*
RP692-25-100-S	25	100		✓			3.15"(80)	8.00"(203)	2.56"(65)
RP692-25-100-W	25	100	✓				*	*	*
RP692-25-1000-C	25	1000			✓		*	*	*
RP692-25-1000-S	25	1000		✓			3.15"(80)	8.00"(203)	2.56"(65)
RP692-25-1000-W	25	1000	✓				*	*	*
RP692-25-2000-C	25	2000			✓		*	*	*
RP692-25-2000-S	25	2000		✓			3.15"(80)	8.00"(203)	2.56"(65)
RP692-25-2000-W	25	2000	✓				*	*	*
RP692-50-100-C	50	100			✓		*	*	*
RP692-50-100-S	50	100		✓			3.74"(95)	8.87"(225)	3.15"(80)
RP692-50-100-W	50	100	✓				*	*	*
RP692-50-1000-C	50	1000			✓		*	*	*
RP692-50-1000-S	50	1000		✓			3.74"(95)	8.87"(225)	3.15"(80)
RP692-50-1000-W	50	1000	✓				*	*	*
RP692-50-2000-C	50	2000			✓		*	*	*
RP692-50-2000-S	50	2000		✓			3.74"(95)	8.87"(225)	3.15"(80)
RP692-50-2000-W	50	2000	✓				*	*	*
RP692-75-100-C	75	100			✓		*	*	*
RP692-75-100-S	75	100		✓			3.74"(95)	8.87"(225)	3.15"(80)
RP692-75-100-W	75	100	✓				*	*	*
RP692-75-1000-C	75	1000			✓		*	*	*
RP692-75-1000-S	75	1000		✓			3.74"(95)	8.87"(225)	3.15"(80)
RP692-75-1000-W	75	1000	✓				*	*	*
RP692-75-2000-C	75	2000			✓		*	*	*
RP692-75-2000-S	75	2000		✓			3.74"(95)	8.87"(225)	3.15"(80)
RP692-75-2000-W	75	2000	✓				*	*	*
RP692-100-100-C	100	100			✓		*	*	*
RP692-100-100-S	100	100		✓			4.92"(125)	10.24"(260)	3.74"(95)
RP692-100-100-W	100	100	✓				*	*	*
RP692-100-1000-C	100	1000			✓		*	*	*
RP692-100-1000-S	100	1000		✓			4.92"(125)	10.24"(260)	3.74"(95)
RP692-100-1000-W	100	1000	✓				*	*	*
RP692-100-2000-C	100	2000			✓		*	*	*

**ADDITIONAL MODEL NO. >>**

# RP692

## HIGH VOLTAGE/HIGH CURRENT **DC** POWER LINE FILTER, 1200VDC

MODEL NO.	RATED CURRENT, A @ 60° C	Y-CAP, nF	TERMINAL OPTIONS				MAX. DIMENSIONS" (MM)		
			(W) INPUT/OUTPUT	(S) INPUT/OUTPUT	(C) INPUT/OUTPUT	(B) INPUT/OUTPUT	WIDTH	(LENGTH)	HEIGHT
RP692-100-2000-S	100	2000		✓			4.92"(125)	10.24"(260)	3.74"(95)
RP692-100-2000-W	100	2000	✓				*	*	*
RP692-150-100-C	150	100			✓		*	*	*
RP692-150-100-S	150	100		✓			5.51"(140)	12.29"(312)	4.53"(115)
RP692-150-100-W	150	100	✓				*	*	*
RP692-150-1000-C	150	1000			✓		*	*	*
RP692-150-1000-S	150	1000		✓			5.51"(140)	12.29"(312)	4.53"(115)
RP692-150-1000-W	150	1000	✓				*	*	*
RP692-150-2000-C	150	2000			✓		*	*	*
RP692-150-2000-S	150	2000		✓			5.51"(140)	12.29"(312)	4.53"(115)
RP692-150-2000-W	150	2000	✓				*	*	*
RP692-250-100-B	250	100				✓	5.51"(140)	12.29"(312)	4.53"(115)
RP692-250-1000-B	250	1000				✓	5.51"(140)	12.29"(312)	4.53"(115)
RP692-250-2000-B	250	2000				✓	5.51"(140)	12.29"(312)	4.53"(115)
RP692-400-0-B	400	0				✓	7.48"(190)	16.38"(416)	4.33"(110)
RP692-400-100-B	400	100				✓	7.48"(190)	16.38"(416)	4.33"(110)
RP692-400-1000-B	400	1000				✓	7.48"(190)	16.38"(416)	4.33"(110)
RP692-400-2000-B	400	2000				✓	7.48"(190)	16.38"(416)	4.33"(110)
RP692-600-0-B	600	0				✓	7.48"(190)	16.38"(416)	4.33"(110)
RP692-600-100-B	600	100				✓	7.48"(190)	16.38"(416)	4.33"(110)
RP692-600-1000-B	600	1000				✓	7.48"(190)	16.38"(416)	4.33"(110)
RP692-600-2000-B	600	2000				✓	7.48"(190)	16.38"(416)	4.33"(110)
RP692-800-100-B	800	100				✓	7.87"(200)	16.93"(430)	5.51"(140)
RP692-800-1000-B	800	1000				✓	7.87"(200)	16.93"(430)	5.51"(140)
RP692-800-2000-B	800	2000				✓	7.87"(200)	16.93"(430)	5.51"(140)
RP692-1000-100-B	1000	100				✓	7.87"(200)	16.93"(430)	5.51"(140)
RP692-1000-1000-B	1000	1000				✓	7.87"(200)	16.93"(430)	5.51"(140)
RP692-1000-2000-B	1000	2000				✓	7.87"(200)	16.93"(430)	5.51"(140)
RP692-1500-100-B	1500	100				✓	7.87"(200)	20.47"(520)	5.91"(150)
RP692-1500-1000-B	1500	1000				✓	7.87"(200)	20.47"(520)	5.91"(150)
RP692-1500-2000-B	1500	2000				✓	7.87"(200)	20.47"(520)	5.91"(150)
RP692-2500-0-B	2500	0				✓	9.84"(250)	23.62"(600)	7.09"(180)
RP692-2500-100-B	2500	100				✓	9.84"(250)	23.62"(600)	7.09"(180)
RP692-2500-1000-B	2500	1000				✓	9.84"(250)	23.62"(600)	7.09"(180)

**ADDITIONAL MODEL NO. >>**

# RP692

## HIGH VOLTAGE/HIGH CURRENT **DC** POWER LINE FILTER, 1200VDC

MODEL NO.	RATED CURRENT, A @ 60° C	Y-CAP, nF	TERMINAL OPTIONS				MAX. DIMENSIONS" (MM)		
			(W) INPUT/ OUTPUT	(S) INPUT/ OUTPUT	(C) INPUT/ OUTPUT	(B) INPUT/ OUTPUT	WIDTH	(LENGTH)	HEIGHT
RP692-2500-2000-B	2500	2000				✓	9.84"(250)	23.62"(600)	7.09"(180)

\*Contact factory for dimensions.

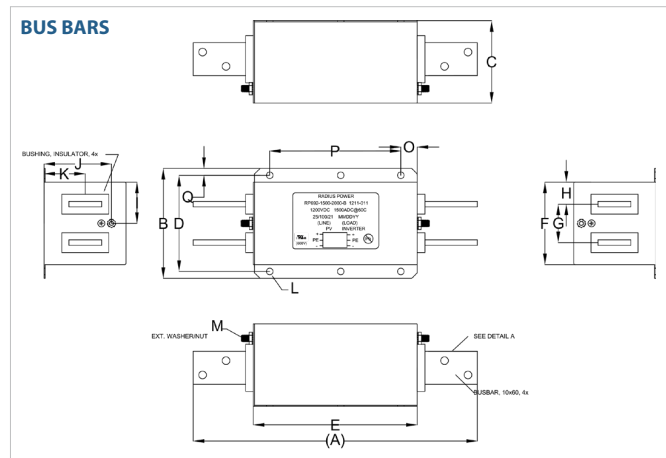
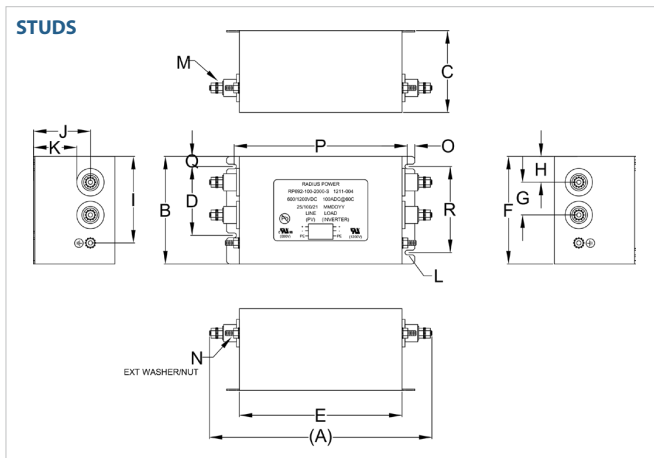
### TYPICAL INSERTION LOSS, dB (50/50 Ohm)

Amps	Freq (MHz)	0.15	0.5	1.0	10	30
25	CM (dB)	65	75	55	45	40
	DM (dB)	65	70	50	35	30
50	CM (dB)	65	75	55	45	40
	DM (dB)	65	70	50	35	30
75	CM (dB)	65	75	55	45	40
	DM (dB)	65	70	50	35	30
100	CM (dB)	65	75	55	45	40
	DM (dB)	65	70	50	35	30
150	CM (dB)	65	75	55	45	40
	DM (dB)	65	70	50	35	30
250	CM (dB)	65	75	55	45	40
	DM (dB)	65	70	50	35	30
400	CM (dB)	65	75	55	45	40
	DM (dB)	65	70	50	35	30
600	CM (dB)	65	75	55	45	40
	DM (dB)	65	70	50	35	30
800	CM (dB)	65	75	55	45	40
	DM (dB)	65	70	50	35	30
1000	CM (dB)	65	75	55	45	40
	DM (dB)	65	70	50	35	30
1500	CM (dB)	65	75	55	45	40
	DM (dB)	65	70	50	35	30
2500	CM (dB)	65	75	55	45	40
	DM (dB)	65	70	50	35	30

# RP692

## HIGH VOLTAGE/HIGH CURRENT DC POWER LINE FILTER, 1200VDC

### RP692 MECHANICAL OUTLINES (MM)



SERIES	(A)	B	C	D	E	F	G	H	I	J	K	L	M	N	O	P	Q		
<b>STUDS (25A)</b>	8.00" (203)	3.15" (80)	2.56" (65)	1.77" (45)	5.51" (140)	3.15" (80)	1.57" (40)	0.79" (20)	2.76" (70)	1.71" (43)	0.56" (14)	Ø 0.21"x0.37", 4x (Ø, 5.50x9.50, 4x)	STUD, M5, 4x	STUD, M5, 2x	GND, (9)	0.34" (9)	5.99" (152)	0.39" (10)	2.36" (60)
<b>STUDS (50A)</b>	8.87" (225)	3.74" (95)	3.15" (80)	2.36" (60)	6.69" (170)	3.74" (95)	1.46" (37)	0.83" (21)	3.33" (85)	2.17" (55)	1.63" (42)	Ø 0.35"x0.21", 4x (Ø, 9.1x5.5, 4x)	STUD, M5, 4x	STUD, M6, 2x	GND, (9)	0.34" (9)	7.19" (183)	0.39" (10)	2.95" (75)
<b>STUDS (100A)</b>	10.24" (260)	4.92" (125)	3.74" (95)	3.15" (80)	7.48" (190)	4.92" (125)	1.50" (38)	1.18" (30)	3.96" (101)	2.62" (67)	1.99" (51)	Ø 0.21"x0.33", 4x (Ø, 5.5x8.6, 4x)	STUD, M6, 4x	STUD, M6, 2x	GND, (9)	0.34" (9)	7.97" (203)	0.46" (12)	3.94" (100)
<b>STUDS (150A)</b>	12.29" (312)	5.51" (140)	4.53" (115)	3.94" (100)	8.66" (220)	5.51" (140)	1.93" (49)	1.22" (31)	4.72" (120)	3.39" (86)	2.68" (68)	Ø 0.21"x0.45", 4x (Ø, 5.5x11.5, 4x)	STUD, M10, 4x	STUD, M10, 2x	GND, (9)	0.34" (9)	9.15" (233)	0.39" (10)	4.72" (120)
<b>BUS BARS (250A)</b>	12.29" (312)	5.51" (140)	4.53" (115)	3.94" (100)	8.66" (220)	5.51" (140)	1.93" (49)	1.22" (31)	4.72" (120)	3.39" (86)	2.68" (68)	Ø 0.21"x0.45", 4x (Ø, 5.5x11.5, 4x)	STUD, M10, 4x	STUD, M10, 2x	GND, (9)	0.34" (9)	9.15" (233)	0.39" (10)	9.45" (240)
<b>BUS BARS (400A)</b>	16.38" (416)	7.48" (190)	4.33" (110)	6.50" (165)	11.81" (300)	5.51" (140)	2.76" (70)	1.38" (35)	2.76" (70)	3.82" (97)	1.97" (50)	Ø 0.47", 6x (Ø12.00, 6x)	STUD, M10, 2x GND, (9)	Ø 0.41", 4x (Ø10.50, 4x)	1.24" (31)	9.45" (240)	0.49" (13)	6.50" (165)	
<b>BUS BARS (800 / 1000A)</b>	16.93" (430)	7.87" (200)	5.51" (140)	6.89" (175)	11.81" (300)	5.91" (150)	2.76" (70)	1.77" (45)	3.15" (80)	4.58" (116)	2.68" (68)	Ø 0.47", 6x (Ø12.00, 6x)	STUD, M10, 2x GND, (9)	Ø 0.55", 4x (Ø14.00, 4x)	1.06" (27)	9.45" (240)	0.49" (13)	N/A	
<b>BUS BARS (1500A)</b>	20.47" (520)	7.87" (200)	5.91" (150)	7.87" (200)	11.81" (300)	5.91" (150)	2.76" (70)	1.57" (40)	2.95" (75)	4.95" (126)	2.97" (76)	Ø 0.47", 6x (Ø12.00, 6x)	STUD, M10, 2x GND, (9)	N/A	1.18" (30)	9.45" (240)	0.49" (13)	N/A	
<b>BUS BARS (2500A)</b>	23.62" (600)	9.84" (250)	7.09" (180)	8.86" (225)	15.75" (400)	7.68" (195)	3.94" (100)	2.28" (58)	4.88" (124)	6.54" (166)	3.05" (78)	Ø 0.47", 6x (Ø12.00, 6x)	STUD, M10, 2x GND, (9)	Ø 0.55", 16x (Ø14.00, 16x)	1.18" (30)	13.48" (342)	0.49" (13)	8.86" (225)	

TYPICAL TOLERANCE: +/-0.02" (0.50MM)