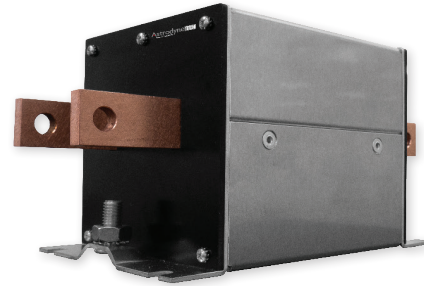


RP695H

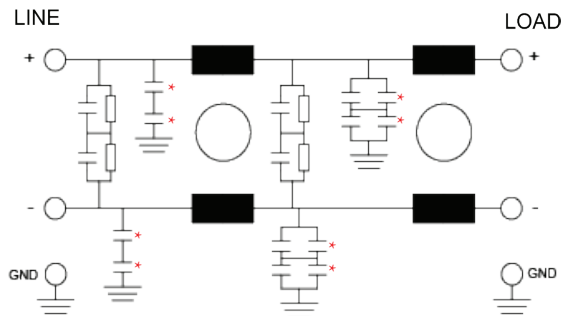
COMPACT HI-CURRENT HI-PERFORMANCE DC FILTER FOR EV CHARGERS

FEATURES

- » Rated currents include **450A, 600A, 1000A and 1600A**
- » Dual Stage Hi-Performance Line Filter
- » Available with **B** (bus bars) option
- » High Voltage Design
- » Agency Approved to *UL60939-3, CSA C22.2 8-13*
- » Y-cap value can be adjusted to fit application needs



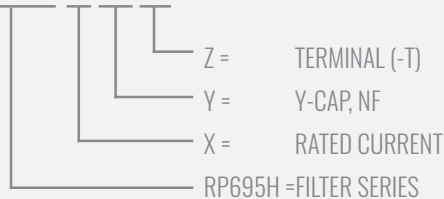
ELECTRICAL SCHEMATIC



*Discharge resistors across Y capacitors in certain 450A model only

HOW TO ORDER

RP695H-X-Y-Z



NOTE: USE ANY COMBINATION OF -X (AMPS) WITH ANY -Y VALUES

E.G. **RP695H-450-15-B** (450AMPS WITH 15 NF YCAP)

For **X, Y,** and **Z** options see product specification table.

SPECIFICATIONS

MAX. OPERATING VOLTAGE	1500VDC +10%
AMBIENT TEMPERATURE	-25 TO 50°C
CLIMATIC CATEGORY	25/100/21
TERMINALS (-T)	B: BUSBARS 450-600 A (8X25), 1000A (8X40), 1600A (10X60)
TYP. WEIGHT, LBS (KG)	6.4 - 12 (2.9 - 5.45)

HIPOT RATINGS

LINE TO GROUND	6000 VDC
----------------	----------

TYPICAL APPLICATIONS

- ✓ DC fast chargers
- ✓ High power rectifiers
- ✓ Inverters
- ✓ Induction charging
- ✓ Industrial chargers
- ✓ Solar

RP695H

COMPACT HI-CURRENT HI-PERFORMANCE DC FILTER FOR EV CHARGERS

MODEL NO.	RATED CURRENT, A @ 40° C	Y-CAP, nF	TERMINAL OPTIONS				MAX. DIMENSIONS" (MM)		
			(W) INPUT/ OUTPUT	(S) INPUT/ OUTPUT	(C) INPUT/ OUTPUT	(B) INPUT/ OUTPUT	WIDTH	(LENGTH)	HEIGHT
RP695H-450-0-B	450	0				✓	4.80" (122)	10.24" (260)	5.04" (128)
RP695H-450-15-B	450	15				✓	4.80" (122)	10.24" (260)	5.04" (128)
RP695H-450-100-B	450	100				✓	4.80" (122)	10.24" (260)	5.04" (128)
RP695H-450-1000-B	450	1000				✓	4.80" (122)	10.24" (260)	5.04" (128)
RP695H-450-2000-B	450	2000				✓	4.80" (122)	10.24" (260)	5.04" (128)
RP695H-600-0-B	600	0				✓	4.80" (122)	10.24" (260)	5.04" (128)
RP695H-600-15-B	600	15				✓	4.80" (122)	10.24" (260)	5.04" (128)
RP695H-600-100-B	600	100				✓	4.80" (122)	10.24" (260)	5.04" (128)
RP695H-600-1000-B	600	1000				✓	4.80" (122)	10.24" (260)	5.04" (128)
RP695H-600-2000-B	600	2000				✓	4.80" (122)	10.24" (260)	5.04" (128)
RP695H-1000-0-B	1000	0				✓	5.51" (140)	12.44" (316)	3.94" (100)
RP695H-1000-15-B	1000	15				✓	5.51" (140)	12.44" (316)	3.94" (100)
RP695H-1000-100-B	1000	100				✓	5.51" (140)	12.44" (316)	3.94" (100)
RP695H-1000-1000-B	1000	1000				✓	5.51" (140)	12.44" (316)	3.94" (100)
RP695H-1000-2000-B	1000	2000				✓	5.51" (140)	12.44" (316)	3.94" (100)
RP695H-1600-0-B	1600	0				✓	5.51" (140)	12.44" (316)	5.12" (130)
RP695H-1600-15-B	1600	15				✓	5.51" (140)	12.44" (316)	5.12" (130)
RP695H-1600-100-B	1600	100				✓	5.51" (140)	12.44" (316)	5.12" (130)
RP695H-1600-1000-B	1600	1000				✓	5.51" (140)	12.44" (316)	5.12" (130)
RP695H-1600-2000-B	1600	2000				✓	5.51" (140)	12.44" (316)	5.12" (130)

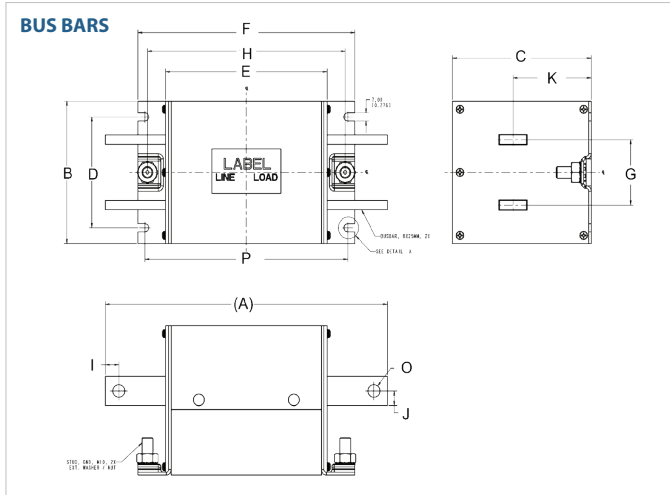
TYPICAL INSERTION LOSS, dB (50/50 Ohm)

Amps	Freq (MHz)						
		0.15	0.5	1.0	5	10	30
RP695H	CM (dB)	5	29	38	28	24	18
	DM (dB)	33	37	27	18	18	14

RP695H

COMPACT HI-CURRENT HI-PERFORMANCE **DC** FILTER FOR EV CHARGERS

RP695 MECHANICAL OUTLINES (MM)



SERIES	(A)	B	C	D	E	F	G	H	I	J	K	O	P
BUSBARS (450A)	10.24" (260)	4.80" (122)	5.04" (128)	3.74" (95)	5.87" (149)	1.87" (200)	2.21" (56)	7.17" (182.2)	0.492" (12.5)	0.492" (12.5)	2.83" (72)	0.433" (11)	7.36" (187)
BUSBARS (600A)	10.24" (260)	4.8" (122)	5.04" (128)	3.74" (95)	5.87" (149)	7.87" (200)	2.21" (56)	7.17" (182.2)	0.492" (12.5)	0.492" (12.5)	2.83" (72)	0.433" (11)	7.36" (187)
BUSBARS (1000A)	12.44" (316)	5.51" (140)	3.94" (100)	4.49" (114)	7.87" (200)	9.84" (250)	2.21" (56)	9.14" (232.2)	0.492" (12.5)	0.787" (20)	1.94" (49.2)	0.413" (10.5)	8.94" (227)
BUSBARS (1600A)	12.44" (316)	5.51" (140)	5.12" (130)	4.49" (114)	8.66" (220)	10.63" (270)	2.21" (56)	9.93" (252.2)	0.492" (12.5)	1.181" (30)	2.87" (73)	0.413" (10.5)	9.72" (247)