



M-CVM-AB-8I-80TR

M-CVM-AB-8I-80TR, Expansion module

Code: M56E01.

- > Memory: No
- > Transistor output: 8
- > Digital inputs: 8

Description

Expansion module with 8 digital inputs and 8 transistor outputs.

Application

Digital inputs

- Reports via communications:
- Logic states of non-unit external systems
- Metering of the impulses generated by other units (water and gas meters, etc.)

Digital outputs

- Activation / deactivation by maximum or minimum instantaneous parameter values measured by the unit
- Generation of impulses by incremental parameters measured by the unit



M-CVM-AB-8I-80TR

Expansion modules M-CVM-AB-8I-80TR

Code: M56E01.

Specifications

DC power supply

Consumption	max. 3 W
-------------	----------

Mechanical characteristics

Size (mm) width x height x depth	90 x 90 x 90 (mm)
Envelope	Self-extinguishing V0 plastic
Fastening	Panel
Weight (kg)	0,156

Environmental characteristics

Protection class	IP 30
Relative humidity (without condensation)	5 ... 95%
Storage temperature	-20... +80 °C
Working temperature	-10...+50 °C

Standards

Certifications	UL 61010-1 3rd edition, CAN/CSA-C22.2 No.61010-1 3rd. edition 2012-05
Electrical safety, Maximum height (m)	2000
Standards	IEC 61010-1 (1rd. Edition), UNE-EN 61000-6-2, UNE-EN 61000-6-4, IEC 60664-1, IEC 61010-2-030 (First Edition).

Voltage measurement circuit

Input impedance	3kΩ
-----------------	-----

Digital inputs

Input/output insulation	4 kV
Quantity	8
Type	Potential-free contact

Digital transistor outputs

Pulse width	1 ms
Quantity	8
Type	NPN
Pulse output, time period (Ton / Toff)	0,3 ms / 0,7 ms
Maximum frequency	1 kHz
Maximum current	130 mA
Maximum voltage	48 Vdc



M-CVM-AB-8I-80TR

Expansion modules M-CVM-AB-8I-80TR

Code: M56E01.

M-CVM-AB-8I-80TR

Expansion modules

CODE	TYPE	Transistor output	Digital inputs
M56E01.	M-CVM-AB-8I-80TR	8	8

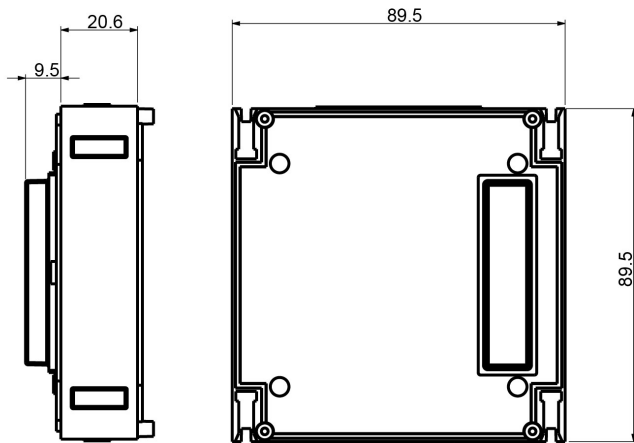


M-CVM-AB-8I-80TR

Expansion modules M-CVM-AB-8I-80TR

Code: M56E01.

Dimensions



Connections

