



## M-CVM-AB-8I-80R

---

M-CVM-AB-8I-80R, Expansion module

Code: M56E02.

- > Memory: No
- > N° relays: 8
- > Digital inputs: 8

### Description

---

Expansion module with 8 digital inputs and 8 relay outputs.

### Application

---

Digital inputs

- Reports via communications:
- Logic states of non-unit external systems
- Metering of the impulses generated by other units (water and gas meters, etc.)

Digital outputs

- Activation / deactivation by maximum or minimum instantaneous parameter values measured by the unit



## M-CVM-AB-8I-80R

Expansion modules M-CVM-AB-8I-80R

Code: M56E02.

### Specifications

#### DC power supply

Consumption	max. 3 W
-------------	----------

#### Mechanical characteristics

Size (mm) width x height x depth	90 x 90 x 90 (mm)
Envelope	Self-extinguishing V0 plastic
Fastening	Panel
Weight (kg)	0,18

#### Environmental characteristics

Protection class	IP 30
Relative humidity (without condensation)	5 ... 95%
Storage temperature	-20... +80 °C
Working temperature	-10...+50 °C

#### Standards

Certifications	UL 61010-1 3rd edition, CAN/CSA-C22.2 No.61010-1 3rd. edition 2012-05
Electrical safety, Maximum height (m)	2000
Standards	IEC 61010-1 (1rd. Edition), UNE-EN 61000-6-2, UNE-EN 61000-6-4, IEC 60664-1, IEC 61010-2-030 (First Edition).

#### Voltage measurement circuit

Input impedance	32k $\Omega$
-----------------	--------------

#### Digital inputs

Input/output insulation	4 kV
Quantity	8
Type	Potential-free contact

#### Digital relay outputs

Electrical life (at maximum load)	10 <sup>5</sup> cycles (250 V <sub>aa</sub> /3 A)
Mechanical life	2x10 <sup>7</sup> cycles
Maximum switching capacity	750 VA

M-CVM-AB-8I-80R  
Expansion modules



## M-CVM-AB-8I-80R

Expansion modules M-CVM-AB-8I-80R

Code: M56E02.

CODE	TYPE	N° relays	Digital inputs
M56E02.	M-CVM-AB-8I-80R	8	8

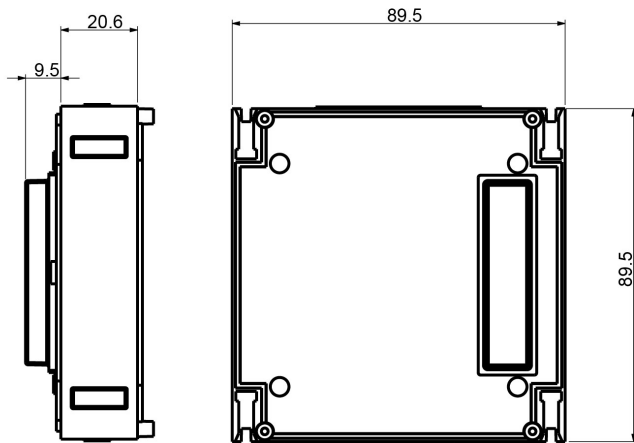


# M-CVM-AB-8I-80R

Expansion modules M-CVM-AB-8I-80R

Code: M56E02.

## Dimensions



## Connections

