



## M-CVM-AB-4AI-8AO

---

M-CVM-AB-4AI-8AO, Expansion module

Code: M56E03.

- > Memory: No
- > Analogue Inputs: 4 (0/4 ... 20 mA)
- > Analog output: 8 (0/4 ... 20 mA)

### Description

---

Expansion module with 4 analogue inputs and 8 analogue outputs.

### Application

---

Analogue inputs

- Measuring signal parameters for non-unit external processes.
- Viewing the signals on screen and reporting them via communications

Analogue outputs

- Generating process signals for the instantaneous electrical parameters measured by the unit



## M-CVM-AB-4AI-8AO

Expansion modules M-CVM-AB-4AI-8AO

Code: M56E03.

### Specifications

#### DC power supply

Consumption	max. 3 W
-------------	----------

#### Mechanical characteristics

Size (mm) width x height x depth	90 x 90 x 90 (mm)
Envelope	Self-extinguishing V0 plastic
Fastening	Panel
Weight (kg)	0,088

#### Environmental characteristics

Protection class	IP 30
Relative humidity (without condensation)	5 ... 95%
Storage temperature	-20... +80 °C
Working temperature	-10...+50 °C

#### Standards

Certifications	UL 61010-1 3rd edition, CAN/CSA-C22.2 No.61010-1 3rd. edition 2012-05
Electrical safety, Maximum height (m)	2000
Standards	IEC 61010-1 (1rd. Edition), UNE-EN 61000-6-2, UNE-EN 61000-6-4, IEC 60664-1, IEC 61010-2-030 (First Edition).

#### Analogue inputs

Input impedance	150 Ω
Nominal input range	0-20 mA/4-20 mA (Programmable)
Measurement type	current
Maximum allowable neutral current	22 mAdc
Accuracy	<1%

#### Analogue outputs

Quantity	8
Linearity	<1%
Current mode, nominal range	0-20 mA/4-20 mA
Current mode: maximum load resistance	300 Ω
Voltage mode, minimum load resistance	5000 Ω
Voltage mode: nominal output range	0-10 Vdc
DAC resolution	4096 points
Maximum internal voltage	12 Vdc



## M-CVM-AB-4AI-8AO

Expansion modules M-CVM-AB-4AI-8AO

Code: M56E03.

### M-CVM-AB-4AI-8AO

Expansion modules

CODE	TYPE	Analogue Inputs
M56E03.	M-CVM-AB-4AI-8AO	4 (0/4 ... 20 mA)

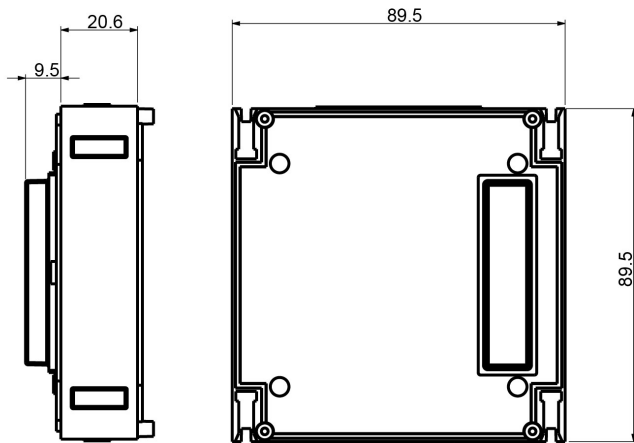


# M-CVM-AB-4AI-8AO

Expansion modules M-CVM-AB-4AI-8AO

Code: M56E03.

## Dimensions



## Connections

