



M-CVM-AB-LonWorks

M-CVM-AB-LonWorks, Expansion module

Code: M56E08.

- > Protocol: LonTalk (ISO/IEC 14908, ANSI/EIA 7091)
- > Memory: No
- > Communications: LonWorks

Description

Expansion module with LonWorks communications.

Application

Enables communication with SCADA systems, or similar, through the LonWorks protocol.



M-CVM-AB-LonWorks

Expansion modules M-CVM-AB-LonWorks

Code: M56E08.

Specifications

DC power supply

Consumption	1.2W
-------------	------

Mechanical characteristics

Size (mm) width x height x depth	90 x 90 x 90 (mm)
Envelope	Self-extinguishing V0 plastic
Fastening	Panel
Weight (kg)	0,1

Environmental characteristics

Protection class	IP 30
Relative humidity (without condensation)	5 ... 95%
Storage temperature	-20... +80 °C
Working temperature	-10...+50 °C

Standards

Certifications	UL 61010-1 3rd edition, CAN/CSA-C22.2 No.61010-1 3rd. edition 2012-05
Electrical safety, Maximum height (m)	2000
Standards	IEC 61010-1 (1rd. Edition), UNE-EN 61000-6-2, UNE-EN 61000-6-4, IEC 60664-1, IEC 61010-2-030 (First Edition).

Communications

Protocol	LonTalk
----------	---------

M-CVM-AB-LonWorks

Expansion modules

CODE	TYPE	Communications	Protocol
M56E08.	M-CVM-AB-LonWorks	LonWorks	LonTalk (ISO/IEC 14908, ANSI/EIA 7091)

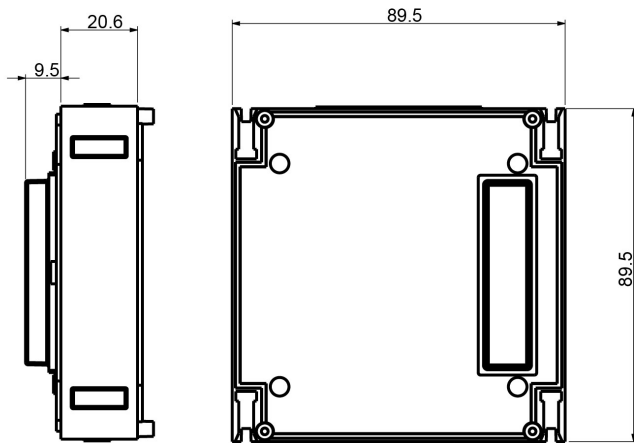


M-CVM-AB-LonWorks

Expansion modules M-CVM-AB-LonWorks

Code: M56E08.

Dimensions



Connections

