



## Art. Nr.: WSK 70.6 WSK 70.6



### Dimensions:

Width in mm:	60
Height in mm:	85
Depth in mm:	70

### Technical Data:

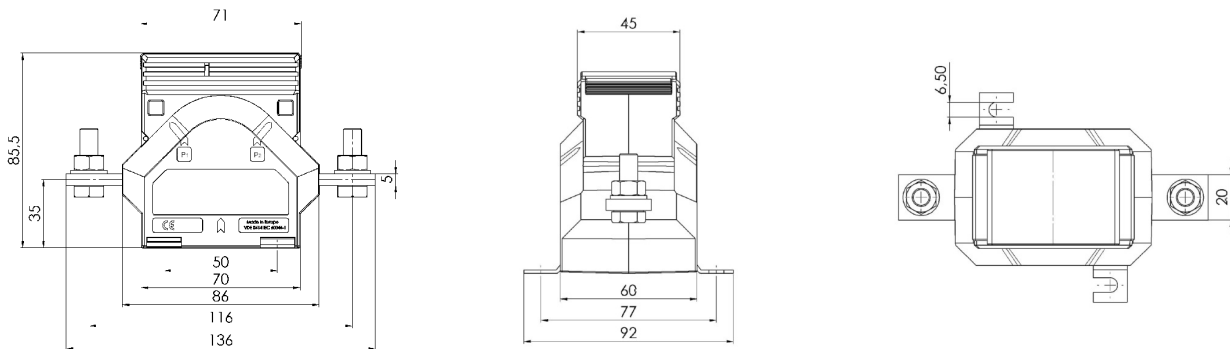
Therm. nominal continuous current $I_{cth}$ :	$1,0 \times I_{pr}$
Therm. nominal short-time current $I_{tth}$ :	$60 \times I_{pr}$ , 1 Sek.
Max. operating voltage $U_m$ :	0,72 kV
Isolation test voltage:	3 kV, $U_{eff}$ , 50 Hz, 1 Min.
Nominal rated frequency:	50 Hz
Isolation class:	E

### General Technical Data:

Over-current limiting factor:	
Working temperature range:	
Storage temperature range:	
Unbreakable plastic housing made of black polycarbonate	
Nickel-plated secondary terminals with plus-minus nickel-plated screws	
Custom tariff number	
Applied standards 1	
Applied standards 2	

See rating plate
$-5^{\circ}\text{C} < T < +50^{\circ}\text{C}$
$-25^{\circ}\text{C} < T < +70^{\circ}\text{C}$
Flame resistant, ultrasonically welded
M5x10mm
85043129
DIN EN 61869-1/2
DIN EN 42600-1/2

### Technical Drawing:



### Contact:

MBS AG & Co. KG - Eisbachstrasse 51 - D-74429 Sulzbach-Laufen - [www.mbs-ag.com](http://www.mbs-ag.com)  
Tel.: +49 7976 9851-0 - Telefax: +49 7976 9851-90 - [verkauf@mbs-ag.com](mailto:verkauf@mbs-ag.com)

Date: 12.06.2026