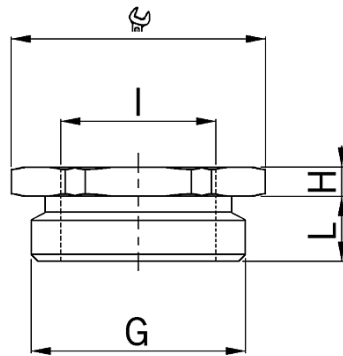


Reduction fittings nickel-plated brass



- **Material:** Nickel-plated brass
- **O-ring:** NBR
- **minimal operation temperature:** -40°C
- **maximum operation temperature:** +100°C
- **Protection class:** IP 68

- hexagonal
- Outer thread metric
- Inner thread metric
- with O-ring

- **Thread outside:** M10x1.5
- **Internal thread:** M 8x1.25
- **Wrench size:** 13 mm
- **Dimension H:** 8.0 mm
- **Dimension L:** 5 mm
- **Note:** 1
- 1 = Metric coarse-pitch thread

Art. No.: 3500.10.08

- **E-No.:** 126 345 208
- **Inner packaging:** ST
- **Outer packaging:** 50 ST
- **Individual net weight:** 7,600 G
- **Single volume:** 0,005 L
- **EAN:** 7611614121284
- **ETIM40:** EC001469