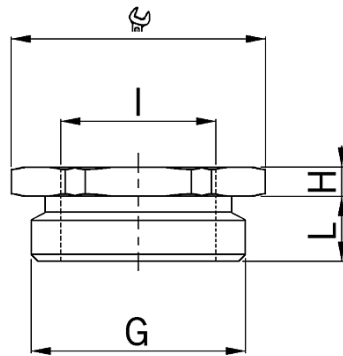


## Adapter nickel-plated brass



- **Material:** Nickel-plated brass
- **O-ring:** NBR
- **minimal operation temperature:** -40°C
- **maximum operation temperature:** +100°C
- **Protection class:** IP 68
  
- hexagonal
- Outer thread Pg
- Inner thread metric
- with O-ring
  
- **Thread outside:** Pg 11
- **Internal thread:** M 8x1.25
- **Wrench size:** 21 mm
- **Dimension H:** 3.0 mm
- **Dimension L:** 6 mm
- **Note:** 1
- 1 = Metric coarse-pitch thread

### **Art. No.:** 3500.11.08

- **E-No.:** 126 350 228
- **Inner packaging:** ST
- **Outer packaging:** 50 ST
- **Individual net weight:** 17,500 G
- **Single volume:** 0,009 L
- **EAN:** 7611614121550
- **ETIM40:** EC001469