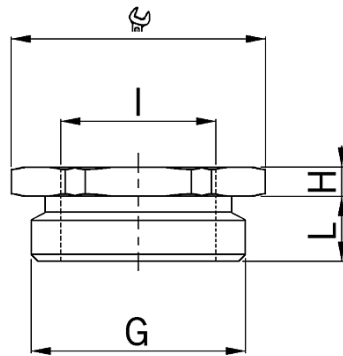


Adapter nickel-plated brass



- **Material:** Nickel-plated brass
- **minimal operation temperature:** -40°C
- **maximum operation temperature:** +100°C
- **Protection class:** IP 68, if the entry thread is sealed

- hexagonal
- Outer thread NPT
- Inner thread Pg
- without O-Ring

- **Thread outside:** NPT1/2"
- **Internal thread:** Pg 9
- **Wrench size:** 22 mm
- **Dimension H:** 4.5 mm
- **Dimension L:** 20 mm

Art. No.: 351/2NPT.09

- **Inner packaging:** ST
- **Outer packaging:** 50 ST
- **Individual net weight:** 32,260 G
- **Single volume:** 0,182 L
- **EAN:** 7611614038452
- **ETIM40:** EC001469