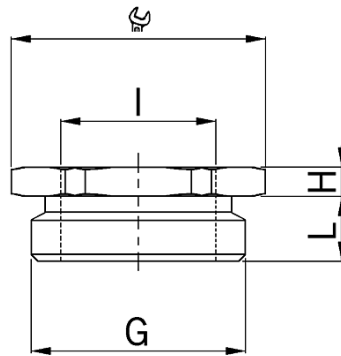


## Reduction fittings nickel-plated brass



- **Material:** Nickel-plated brass
- **O-ring:** NBR
- **minimal operation temperature:** -40°C
- **maximum operation temperature:** +100°C
- **Protection class:** IP 68
  
- hexagonal
- Outer thread Pg
- Inner thread Pg
- with O-ring
  
- **Thread outside:** Pg 36
- **Internal thread:** Pg 21
- **Wrench size:** 50 mm
- **Dimension H:** 4.5 mm
- **Dimension L:** 8.5 mm

### **Art. No.:** 3536.21

- **E-No.:** 126 345 075
- **Inner packaging:** ST
- **Outer packaging:** 10 ST
- **Individual net weight:** 133,100 G
- **Single volume:** 0,058 L
- **EAN:** 7611614044668
- **ETIM40:** EC001469