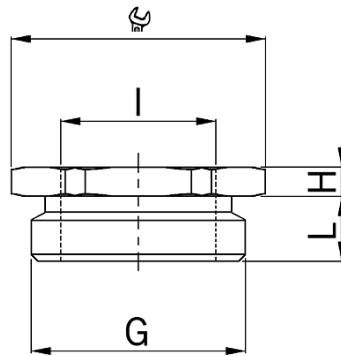


Reduction fittings nickel-plated brass



- **Material:** Nickel-plated brass
- **O-ring:** NBR
- **minimal operation temperature:** -40°C
- **maximum operation temperature:** +100°C
- **Protection class:** IP 68

- hexagonal
- Outer thread Pg
- Inner thread Pg
- with O-ring

- **Thread outside:** Pg 48
- **Internal thread:** Pg 36
- **Wrench size:** 65 mm
- **Dimension H:** 4.0 mm
- **Dimension L:** 11.0 mm

Art. No.: 3548.48.36

- **E-No.:** 126 345 151
- **Inner packaging:** ST
- **Outer packaging:** 10 ST
- **Individual net weight:** 164,300 G
- **Single volume:** 0,112 L
- **EAN:** 7611614044729
- **ETIM40:** EC001469