

Metal PG thread reducer Reductores metálicos rosca PG

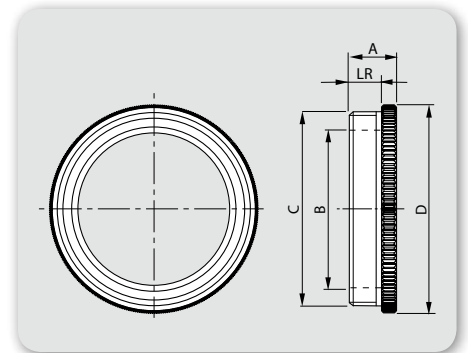
Nickel plated brass reducers for changing a male thread into a bigger metric or Pg male thread

- Made of nickel plated brass
- Metric (EN60423) or PG (DIN40430) threads
- Maximum temperature: up to +800°C

Reductores de latón niquelado para cambiar una rosca macho a una rosca macho métrica o PG más grande

- Fabricadas en latón niquelado
- Rosca métrica (EN60423) o PG (DIN40430)
- Temperatura máxima: hasta +800°C

Reference Referencia	C/B	A	D	LR	Packing u Embalaje u.
090704	Pg 9/ Pg 7	7	17	6	100
110704	Pg 11/ Pg 7	8	22	6	100
110904	Pg 11/ Pg 9	8	22	6	100
130904	Pg 13.5/ Pg 9	8.5	24	6.5	100
131104	Pg 13.5/ Pg 11	8.5	24	6.5	100
160904	Pg 16/ Pg 9	8.5	26	6.5	100
161104	Pg 16/ Pg 11	8.5	26	6.5	100
161304	Pg 16/ Pg 13.5	8.5	26	6.5	100
211104	Pg 21/ Pg 11	10	33	7	100
211304	Pg 21/ Pg 13.5	10	33	7	100
211604	Pg 21/ Pg 16	10	33	7	100
291604	Pg 29/ Pg 16	11	42	8	50
292104	Pg 29/ Pg 21	11	42	8	50
362104	Pg 36/ Pg 21	11.5	53	9	25
362904	Pg 36/ Pg 29	11.5	53	9	25
423604	Pg 42/ Pg 36	14	64	10	10
483684	Pg 48/ Pg 36	14	68	10	10
484284	Pg 48/ Pg 42	14	68	10	10



Dimensions in mm | Dimensiones en mm

