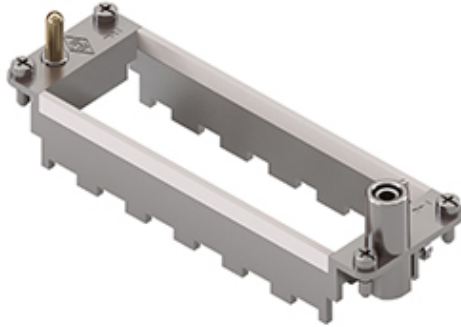


Part number
CX 06 TF



Frame for Mixo inserts, 6 modules, for 6 modular inserts and enclosures size "104.27", frame for housings

Product description

Product type	Frame for Mixo inserts
Size	6 modules
Specification	For 6 modular inserts and enclosures size 104.27 Frame for housings

Further technical details

Weight	63,50 g
UL 94 flammability rating	V-0

Material properties

RoHs conformity	Compliant with exemption 6(c): copper alloy containing up to 4% lead by weight
China RoHs - EFUP	50
REACH SVHC substances	Yes Lead
SCIP number	C0556c52-3b1b-4ffb-87d5-58c9db853c44

Approvals / Standards

UL	ECBT2
cUL	ECBT8

General ordering information

EAN13 code	8015747041928
eCl@ss 8.1	27440210
ETIM 7.0	EC002310

Packaging Information

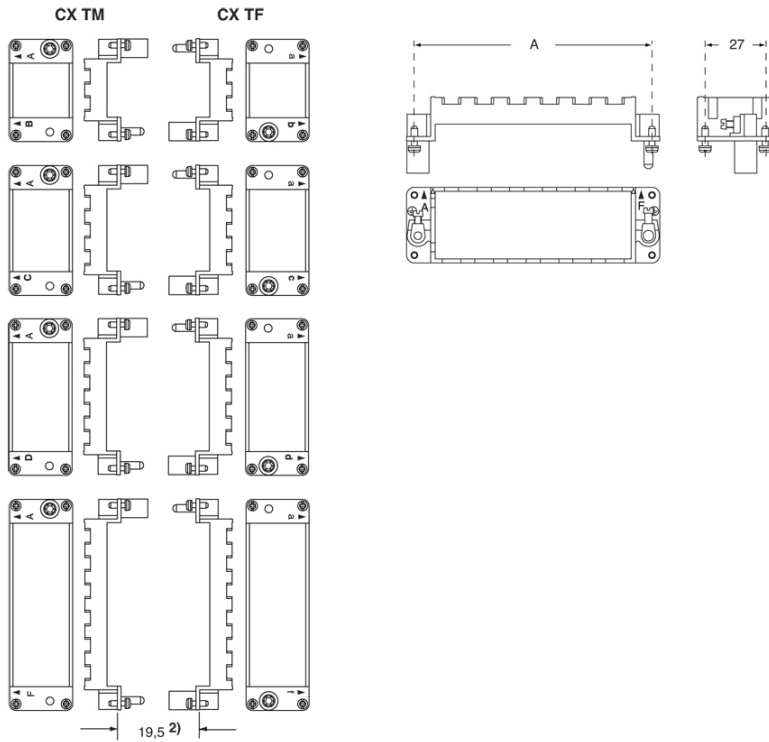
Packaging length	270,00 mm
Packaging height	75,00 mm
Packaging width	180,00 mm
Packaging weight	2,40 kg
Packaging volume	3,65 dm ³
Packaging description	Carton box
Packaging quantity	30 Pcs
Packaging EAN code	8015747041935
Sub-packaging length	113,00 mm
Sub-packaging height	36,00 mm
Sub-packaging width	180,00 mm
Sub-packaging weight	0,40 kg
Sub-packaging volume	0,73 dm ³
Sub-packaging description	Carton tray
Sub-packaging quantity	5 Pcs
Sub-packaging EAN barcode	8015747041942

Part number

CX 06 TF



Catalogue drawings



Notes

Dimensions shown in mm are not binding and may be changed without notice.

California Proposition 65 Information



WARNING

This product can expose you to lead and its compounds, known to the State of California to cause cancer and/or reproductive toxicity. For more information go to www.P65Warnings.ca.gov.