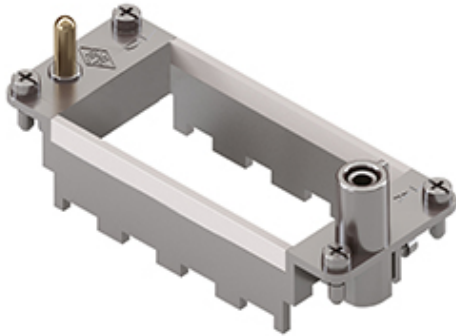


Part number

RX 04 TF



Frame for Mixo inserts, 4 modules, for 4 modular inserts and enclosures size "77.27", frame for housings, HNM - High Number of Matings version

Product description

Product type	Frame for Mixo inserts
Size	4 modules
Specification	For 4 modular inserts and enclosures size 77.27 Frame for housings, HNM - High Number of Matings version

Further technical details

Weight	58,50 g
---------------	---------

Material properties

RoHs conformity	Compliant with exemption 6(c): copper alloy containing up to 4% lead by weight
China RoHs - EFUP	50
REACH SVHC substances	Yes Lead
SCIP number	C0556c52-3b1b-4ffb-87d5-58c9db853c44

Approvals / Standards

Certifications	DNV
UL	ECBT2
cUL	ECBT8

General ordering information

EAN13 code	8015747239745
eCl@ss 8.1	27440210
ETIM 7.0	EC002310

Packaging Information

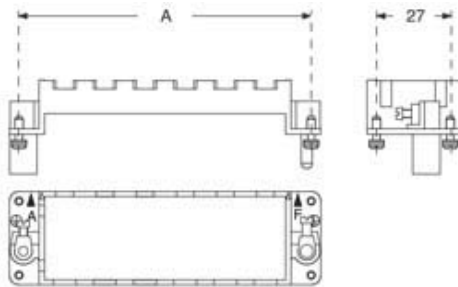
Packaging length	230,00 mm
Packaging height	110,00 mm
Packaging width	180,00 mm
Packaging weight	1,86 kg
Packaging volume	4,55 dm ³
Packaging description	Carton box
Packaging quantity	30 Pcs
Packaging EAN code	8015747239820
Sub-packaging length	87,00 mm
Sub-packaging height	36,00 mm
Sub-packaging width	180,00 mm
Sub-packaging weight	0,31 kg
Sub-packaging volume	0,56 dm ³
Sub-packaging description	Carton tray
Sub-packaging quantity	5 Pcs
Sub-packaging EAN barcode	8015747239837

Part number

RX 04 TF



Catalogue drawings



part No.	A (mm)	for housings size
RX 02 TM / TF	44	44,27
RX 03 TM / TF	57	57,27
RX 04 TM / TF	77,5	77,27 and 77,62
RX 06 TM / TF	104	104,27 and 104,62

Notes

Dimensions shown in mm are not binding and may be changed without notice.

California Proposition 65 Information



WARNING

This product can expose you to lead and its compounds, known to the State of California to cause cancer and/or reproductive toxicity. For more information go to www.P65Warnings.ca.gov.