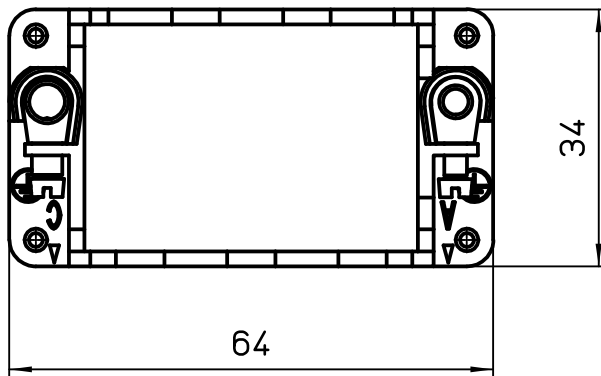
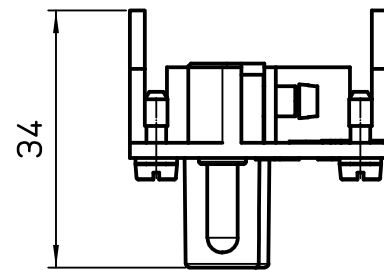
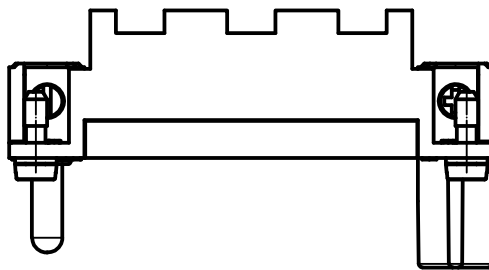
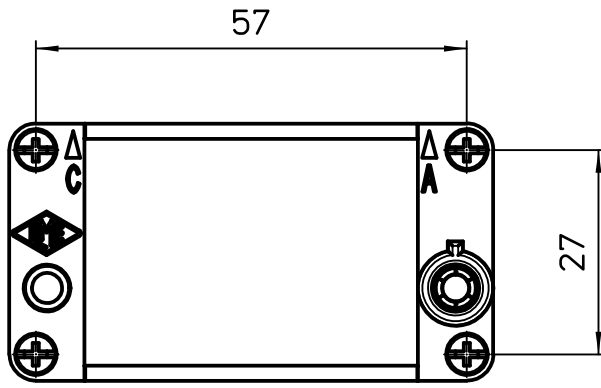
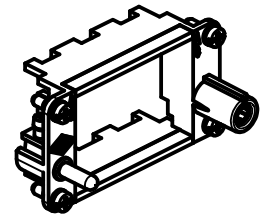


Diritti riservati All rights reserved



A	07/11/12	Improvement		
dimensions in mm		CX 03 TM frame for 3 modular units for hoods	Scale 1:1	
Date	29/11/06			
Sign.	T.Tedeschi			