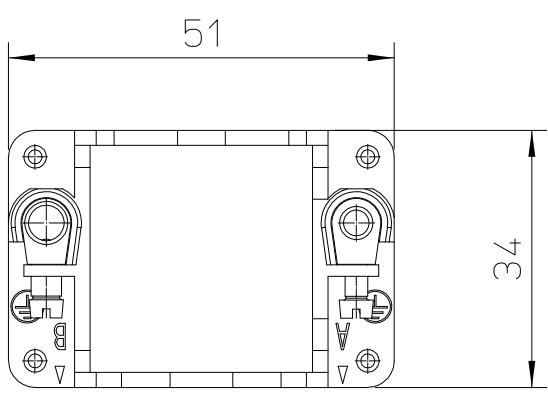
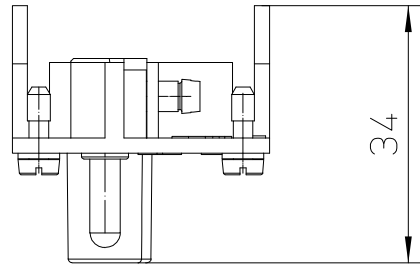
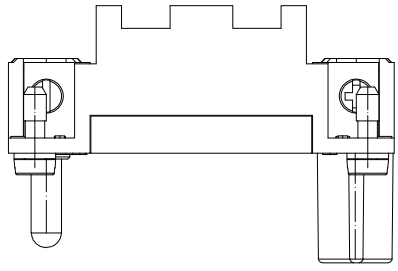
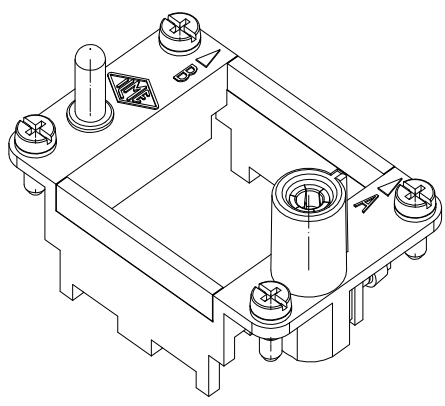
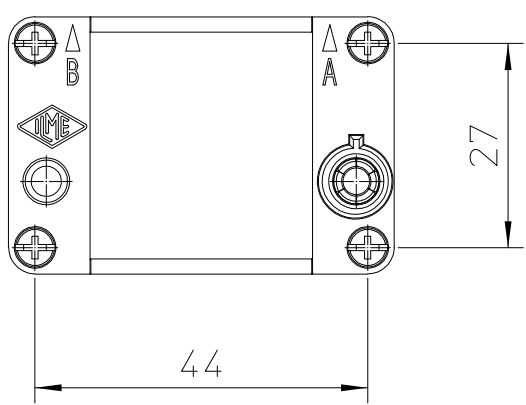


Diritti riservati All rights reserved



dimensions in mm
Date 05/01/17
Sign. C. Mainini

RX 02 TM
Frame for 2 modular units for housings High Number Cycles

Scale
1:1

