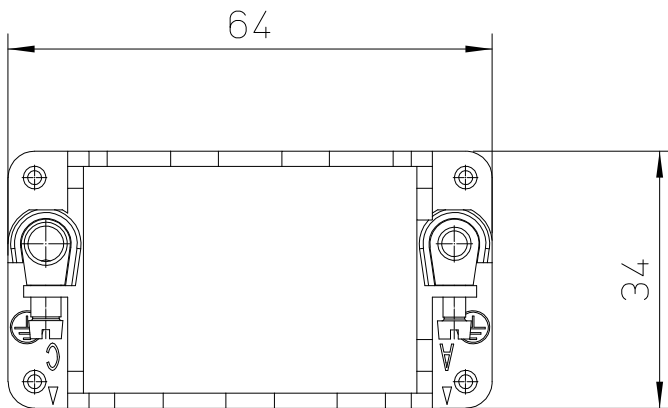
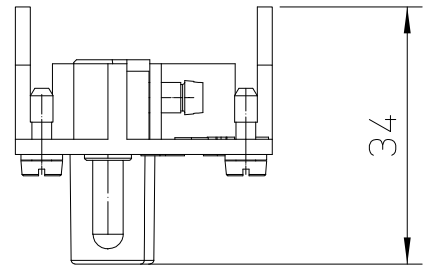
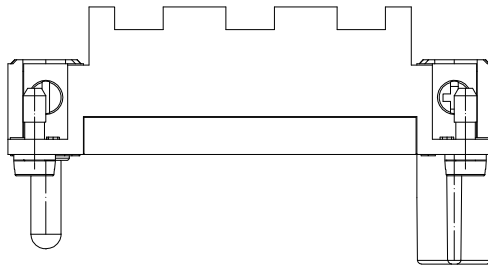
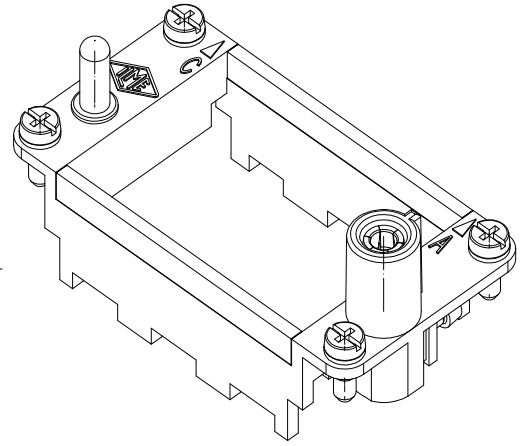
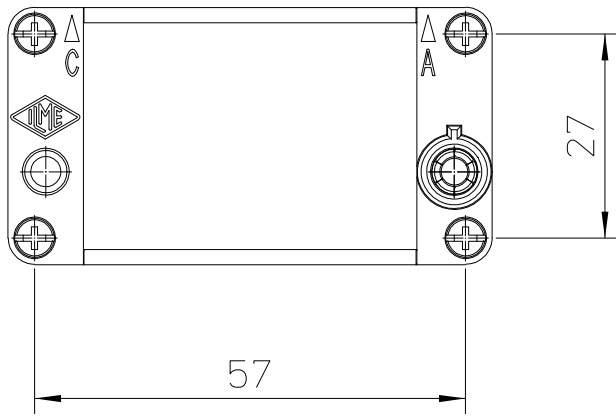


Diritti riservati All rights reserved



| | | | |
|--|--|--|--|
| | | | |
| | | | |
| | | | |
| | | | |

| | | | |
|------------------|--|-------|---|
| dimensions in mm | RX 03 TM Frame for 3 modular units for housings High Number Cycles | Scale |  |
| Date 05/01/17 | | 1:1 | |
| Sign. C. Mainini | | | |