

END PLATE

Article: **43096**



End plate for EURO D4-2 FeedThrough Two levels Terminal Blocks



GENERAL DATA

Series	END PLATE
Item	43096
Weight/Piece	- g
Customs tariff	8536901
Page/Catalog	129 / 01
Colour	Gray
Q.ty p.pck.	50
Q.ty p. box	-

TECHNICAL DATA / DIMENSIONS

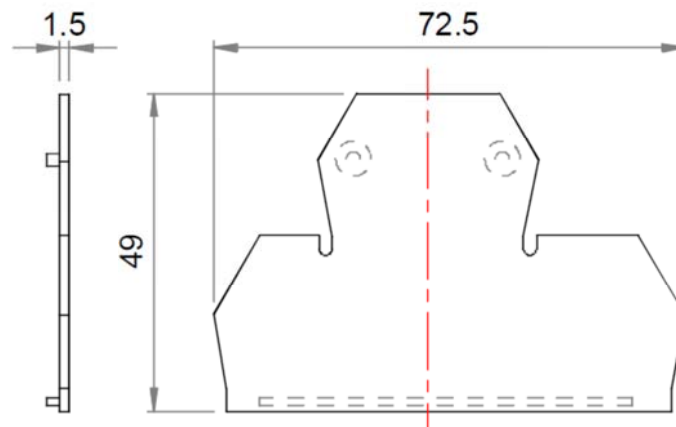
Dimensions

Width mm	1.5
Length mm	72.5
Height mm	49

Technical data

Insulating material	PA
---------------------	----

TECHNICAL DRAWINGS



ACCESSORIES**Additional items**

Item	Description
43550 (all colors)	EURO D4-2 FeedThrough two levels Terminal block
43551 (all colors)	EURO D4-2/1 Two stages block cross connected (plug-in only low stage)
43552÷43555 43548÷43549	EURO D4-2 Two stage terminal block with electronic component (plug-in only low stage)
43556÷43559	EURO D4-2 Two stage terminal block with diode (1N4007)