

EURO J2.5

PATENT

Article: **43525/24**



Plug-in 24 poles insulated and divisible jumper – Orange
Pitch 5,1mm – for width 5mm terminal blocks



GENERAL DATA

Series	EURO J
Item	43525/24
Weight/Piece	9.2 g
Customs tariff	8536901
Page/Catalog	136 / 01
Colour	Orange
Q.ty p.pck.	1 CF. (bag) = 5 pieces
Q.ty p. box	-

TECHNICAL DATA / DIMENSIONS

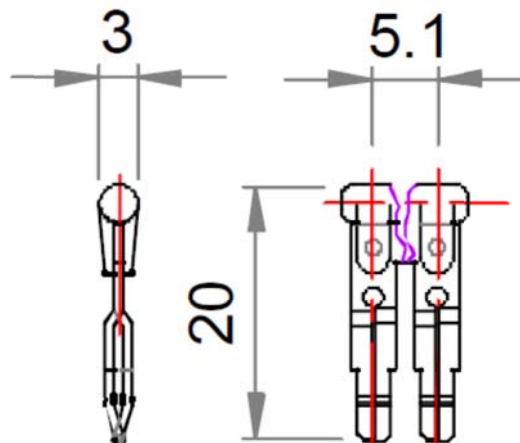
Dimensions

Width mm	3
Length mm	117.3
Pitch mm	5.1

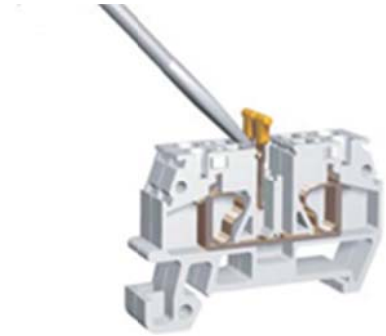
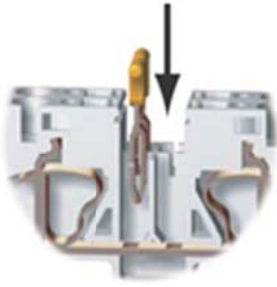
Technical data

Insulating material	PA
Self-extinguishing degree acc. to UL94	V0
Nominal Current	20A

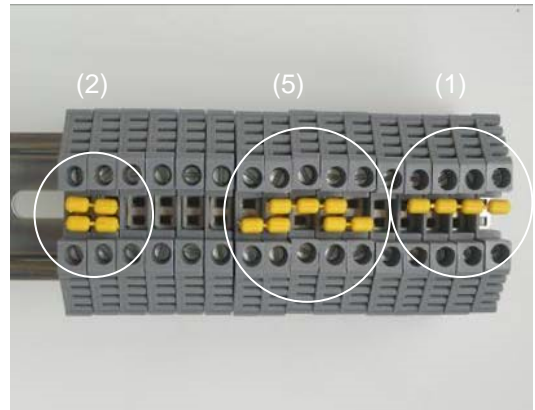
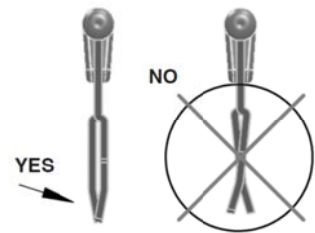
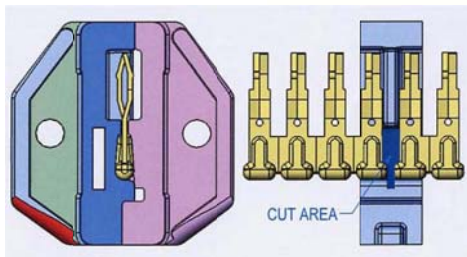
TECHNICAL DRAWINGS



APPLICATION



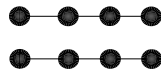
Assembly plug-in jumper



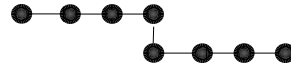
①



②



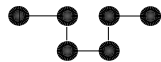
③



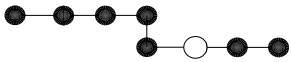
④



⑤



⑥



⑦



○ = Contatto tagliato / breaking off contact leg

ACCESSORIES

Tools

Item	Description
43515	Ratchet Cutting Tool for 43520/25 - EURO J2.5 -yellow
43515-MT	Replacement Die for 43515 - EURO J2.5 (Qty.p.pck=2)

Additional items

Item	Description
43408 (all colors)	EURO 2.5 FeedThrough Terminal block
43560 (all colors)	EURO XM1/2V 2,5/35 multiple terminal block 1/2 vertical
43561 (all colors)	EURO XDV 2,5/35 vertical two stage terminal block
43567(all colors)	EURO XM1/2VH 2,5/35 multiple terminal block 1/2 vert./horiz.
88B2Mxxx	EURO88 FIVEone Relay socket SERIES
88E2Mxxx	EURO88 FIVEone Relay Interface SERIES
88H2Mxxx	EURO88 FIVEone Static Relay Module SERIES
88H2Mxxx	EURO88 FIVEone Signal Converter SERIES
42560	EURO XM1/2V 2.5 multiple t.b.1/2 vertical-spring connection
42561	EURO XDV 2,5/35 vertical two stage terminal block- spring
42567	EURO XM1/2V 2.5 multiple t.b.1/2 vert/horiz-spring system
42416 (all colors)	EURO Q 2.5 FeedThrough Screwless Terminal Block
42440 (all colors – all versions)	EURO QDJ/2.5 Two stage screwless Terminal Block (diode and LED)
42413 (all colors – all version)	EURO QM1/2 2.5 Screwless FeedThrough terminal block multiple 1+2 (diode and LED)
42414 (all colors – all versions)	EURO QM2/2 2.5 Screwless FeedThrough terminal block multiple 2+2 (diode and LED)
42419	EURO QT 2,5 Screwless disconnecter terminal block