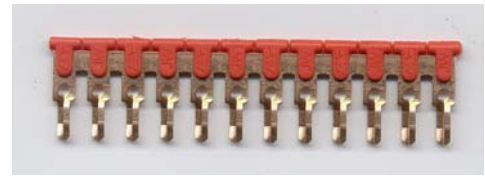


# EURO JW

PATENT



Article: **43531/12 RDS**

Plug-in 12 poles insulated and divisible jumper – pitch 5,1mm – Red – for EURO Z and EURO W terminal blocks



## GENERAL INFORMATION

Series	<b>EURO JW</b>
Item	<b>43531/12 RDS</b>
Weight/Piece	<b>0.0 g</b>
Customs tariff	-
Page/Catalog	- / 01
Colour	<b>Red</b>
Min. package	1 bag (= 10 pieces)
Max package	-

## TECHNICAL DATA / DIMENSIONS

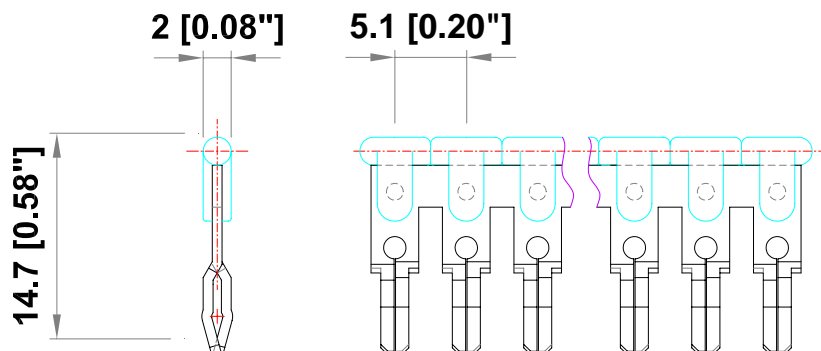
### Dimensions

Width mm(in.)	2 (0.08)
Length mm(in.)	61.4 (2.42)

### Technical data

Nominal Current	20A
-----------------	-----

## TECHNICAL DRAWINGS



## ACCESSORIES

<b>Tools</b>	
Item	Description
<b>43519</b>	EURO JW - Ratchet cutting tool for plug-in jumper(pitch 5,1mm) red/blue
<b>43519-MT</b>	EURO J - Replacement Die for 43519 - EURO JW

<b>Additional items</b>	
Item	Description
<b>43503-B/W/PE</b>	Three-stage Terminal Block EURO WE 2.5/35 with: -lowest level grounding -top blue -middle no colour
<b>43503-L/L/PE</b>	Three-stage Terminal Block EURO WE 2.5/35 with: -lowest level grounding -top and middle no colour
<b>43503-N/L/PE</b>	Three-stage Terminal Block EURO WE 2.5/35 with: -lowest level grounding -top black -middle white
<b>43504</b>	Three-stage Terminal Block EURO W 2.5/35 grey
<b>43504 V</b>	Three-stage terminal block, cross connected, W2.5/35
<b>43505</b>	Three-stage Terminal Block EURO Z 2.5/35, grey
<b>43505 LN</b>	Three-stage Terminal Block EURO Z 2.5/35 LN,red LED,grey
<b>43505 LP</b>	Three-stage Terminal Block EURO Z 2.5/35 LP,red LED, grey
<b>43505 V</b>	Three stage terminal block, cross connected EURO Z2.5/35