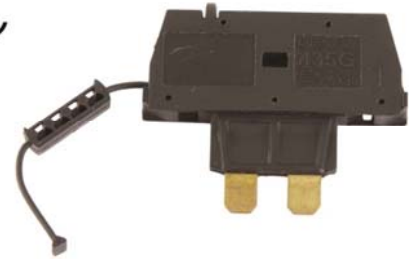




EURO F – 435G

Article: **435G0520**

Disconnecting fuse holder for glass fuse type G 5x20 mm
 Fitted with a light guide reflecting the flashing of the terminal light indicator when reporting a triggered fuse
 Blade terminals fitting into DIN rail universal terminal blocks
 EURO F series



GENERAL INFORMATION

Series	EURO F
Type	435G0520
Weight /Piece	4,4 g
Customs tariff	-
Page/Catalog	88 / 01
Colour	black
Q.ty p.pck.	20
Q.ty p. box	-

TECHNICAL DATA / DIMENSIONS

Dimensions

Width mm	6,1 mm
Length mm	40 mm
Height mm	16 mm

Technical data

Glass Fuse	5x20mm
Insulating material	PA
Self-extinguishing degree acc. to UL94	V0
Nominal Voltage	300V
Nominal Current	10A

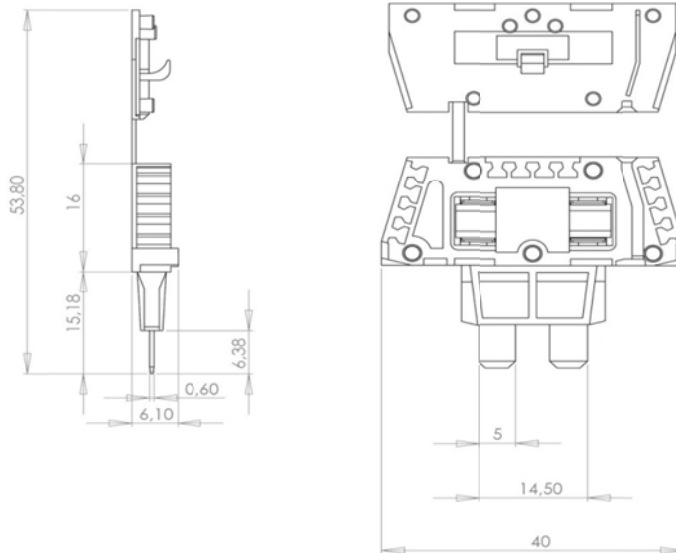
APPROVALS



10A – 300 V



TECHNICAL DRAWINGS



ACCESSORIES

Marking

Item	Description
43059	Single-digit marking tag (5 x 3 mm) - white
43060/0 ÷ 43060/9	Single-digit marking tag (5 x 3 mm) – with marking: 0 ÷ 9
43060/A ÷ 43060/Z	Single-digit marking tag (5 x 3 mm) – with marking: A ÷ Z
43094	Marking tag adapter – 6 slots for marking tags
43192	Marking tags (5 x 12 mm) - white (<i>special marking on request</i>)

EURO F- 435G APPLICATION

