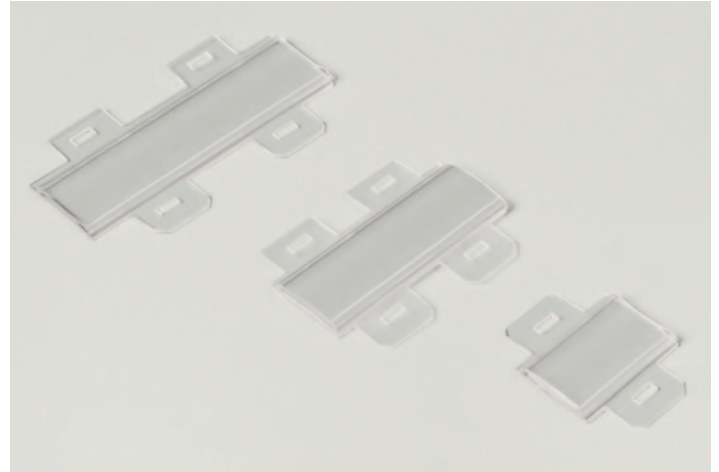


Slotted sleeves for tags

Appropriate for identification of large wires or bundles of wires with the use of bands.

- Material: PVC
- Self-extinguishing: VO
- Working temperature: -40° / $+60^{\circ}$



CODE	ID CODE	DESCRIPTION	PIECES PK.
TUB2715	TUB2715	slotted PVC sleeve for TA2715 tags	500
TUB5015	TUB5015	slotted PVC sleeve for TA5015 tags	250
TUB6715	TUB6715	slotted PVC sleeve for TA6715 tags	125

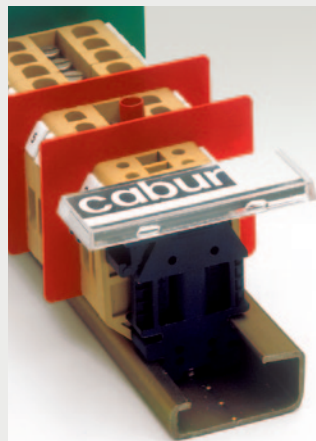
Tag holders for identification of groups of terminal blocks

Tags appropriate for insertion in TIM tag holders: TA5015W and TA5015Y (see pg.26).

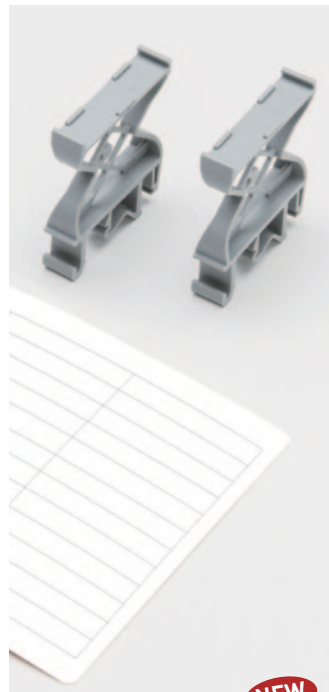
This special product, to be inserted into the tag holder housing of terminal blocks and end brackets of the BT/DIN/PO-BT/3-BTU types, permits perfect positioning of the tag itself.



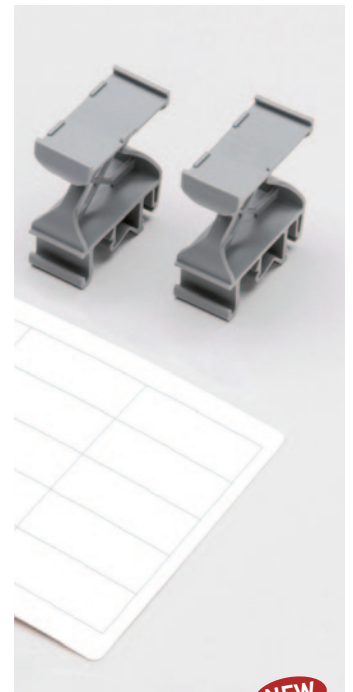
TIM02



TIM02



PTMS

NEW


PTM

NEW

CODE	ID CODE	DESCRIPTION	PIECES PK.
TIM02	TIM02	tag for identification of groups of terminal blocks for use with TA5015W / Y	10
PTMS	PTMS	40x7mm tag holder for rail to be used with TA407AW	36
PTM	PTM	40x16mm tag holder for rail to be used with TA1640AW	15