
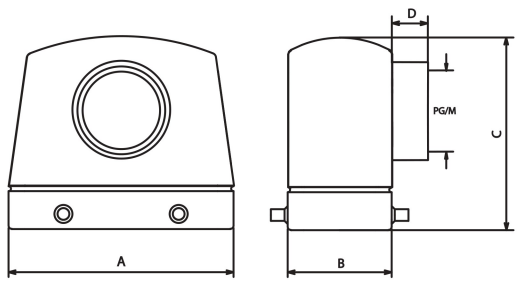






Hoods frontal entry with 4 pegs for two levers <i>Custodie ingresso frontale con 4 perni per due leve</i>	Size <i>Grandezza</i>	Thread <i>Filettatura</i>	Type STD-HV	Type STD																														
			Part No. - Codice	Part No. - Codice																														
	10B «57x27»	M 20	7810.7011.2	7810.7011.0																														
	10B «57x27»	Pg 16	7810.7109.2	7810.7109.0																														
	16B «77x27»	M 25	7816.7021.2	7816.7021.0																														
	16B «77x27»	Pg 21	7816.7113.2	7816.7113.0																														
	24B «104x27»	M 25	7824.7032.2	7824.7032.0																														
	24B «104x27»	M 32	7824.7033.2	7824.7033.0																														
	24B «104x27»	Pg 21	7824.7120.2	7824.7120.0																														
	24B «104x27»	Pg 29	7824.7121.2	7824.7121.0																														
<p>HC - High Construction <i>HC - Costruzione alta</i></p>  <table border="1" data-bbox="167 1310 758 1478"> <thead> <tr> <th>Size <i>Grandezza</i></th> <th>A</th> <th>B</th> <th>C</th> </tr> </thead> <tbody> <tr> <td>10B «57x27»</td> <td>73.5</td> <td>43.5</td> <td>80</td> </tr> <tr> <td>16B «77x27»</td> <td>94</td> <td>43.5</td> <td>80</td> </tr> <tr> <td>24B «104x27»</td> <td>120.5</td> <td>43.5</td> <td>80</td> </tr> </tbody> </table> <table border="1" data-bbox="108 1500 805 1601"> <thead> <tr> <th>Thread <i>Filettatura</i></th> <th>M20</th> <th>M25</th> <th>M32</th> <th>Pg16</th> <th>Pg21</th> <th>Pg29</th> </tr> </thead> <tbody> <tr> <td>D</td> <td>14</td> <td>15</td> <td>16,5</td> <td>14</td> <td>15</td> <td>16,5</td> </tr> </tbody> </table>					Size <i>Grandezza</i>	A	B	C	10B «57x27»	73.5	43.5	80	16B «77x27»	94	43.5	80	24B «104x27»	120.5	43.5	80	Thread <i>Filettatura</i>	M20	M25	M32	Pg16	Pg21	Pg29	D	14	15	16,5	14	15	16,5
Size <i>Grandezza</i>	A	B	C																															
10B «57x27»	73.5	43.5	80																															
16B «77x27»	94	43.5	80																															
24B «104x27»	120.5	43.5	80																															
Thread <i>Filettatura</i>	M20	M25	M32	Pg16	Pg21	Pg29																												
D	14	15	16,5	14	15	16,5																												
<p>     </p> <ul style="list-style-type: none"> - Type: STD for standard applications and inserts up to 500V series: S-D, S-DD, S-E, S-ES, S-EP, S-ESHV, S-EE, S-HSB, S-K, S-M, S-EHV crimp. - Type: STD-HV for standard applications and inserts up to 830V, S-EHV series screw terminal and S-HSB for applications over 500V up to 830V. - Tipo: STD per applicazioni standard ed inserti fino a 500V serie S-D, S-DD, S-E, S-ES, S-EP, S-ESHV, S-EE, S-HSB, S-K, S-M, S-EHV a crimpare. - Tipo STD-HV per applicazioni standard ed inserti fino a 830V: serie S-EHV con terminali a vite e S-HSB per applicazioni oltre 500V fino a 830V. - IP66 / IP69 protection degree <i>Grado di protezione IP66 / IP69</i> - For IP66 and IP68 cable glands <i>Per pressacavi IP66 e IP68</i> 																																		