
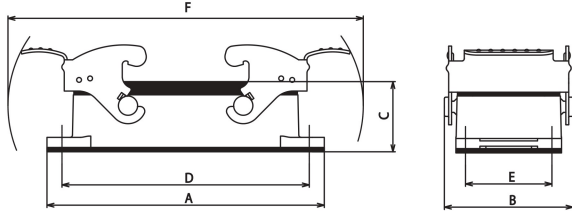
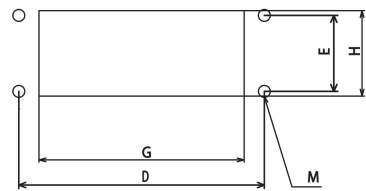



Bulkhead mounting housings Custodie da incasso		Size Grandezza	Type STD-HV Part No. - Codice	Type STD Part No. - Codice																																																	
   Panel cut out Foratura del pannello		10B «57x27»	7810.6412.2	7810.6412.0																																																	
		16B «77x27»	7816.6413.2	7816.6413.0																																																	
		24B «104x27»	7824.6414.2	7824.6414.0																																																	
		32B «77x62»	7832.6415.0	7832.6415.0																																																	
<table border="1"> <thead> <tr> <th>Size Grandezza</th> <th>A</th> <th>B</th> <th>C</th> <th>D</th> <th>E</th> <th>F</th> <th>G</th> <th>H</th> <th>M</th> </tr> </thead> <tbody> <tr> <td>10B «57x27»</td> <td>95.5</td> <td>53.5</td> <td>29.5</td> <td>83</td> <td>32</td> <td>127</td> <td>66.5</td> <td>36</td> <td>4.5</td> </tr> <tr> <td>16B «77x27»</td> <td>115.5</td> <td>53.5</td> <td>29.5</td> <td>103</td> <td>32</td> <td>147</td> <td>86.5</td> <td>36</td> <td>4.5</td> </tr> <tr> <td>24B «104x27»</td> <td>142.5</td> <td>53.5</td> <td>29.5</td> <td>130</td> <td>32</td> <td>174</td> <td>113</td> <td>36</td> <td>4.5</td> </tr> <tr> <td>32B «77x62»</td> <td>124.5</td> <td>105</td> <td>35.5</td> <td>110</td> <td>65</td> <td>147</td> <td>87.5</td> <td>76.5</td> <td>5.5</td> </tr> </tbody> </table>		Size Grandezza	A	B	C	D	E	F	G	H	M	10B «57x27»	95.5	53.5	29.5	83	32	127	66.5	36	4.5	16B «77x27»	115.5	53.5	29.5	103	32	147	86.5	36	4.5	24B «104x27»	142.5	53.5	29.5	130	32	174	113	36	4.5	32B «77x62»	124.5	105	35.5	110	65	147	87.5	76.5	5.5		
Size Grandezza	A	B	C	D	E	F	G	H	M																																												
10B «57x27»	95.5	53.5	29.5	83	32	127	66.5	36	4.5																																												
16B «77x27»	115.5	53.5	29.5	103	32	147	86.5	36	4.5																																												
24B «104x27»	142.5	53.5	29.5	130	32	174	113	36	4.5																																												
32B «77x62»	124.5	105	35.5	110	65	147	87.5	76.5	5.5																																												
 - Type: STD for standard applications and inserts up to 500V series: S-D, S-DD, S-E, S-ES, S-EP, S-ESHV, S-EE, S-HSB, S-K, S-M, S-EHV crimp. - Type: STD-HV for standard applications and inserts up to 830V, S-EHV series screw terminal and S-HSB for applications over 500V up to 830V. - Tipo: STD per applicazioni standard ed inserti fino a 500V serie S-D, S-DD, S-E, S-ES, S-EP, S-ESHV, S-EE, S-HSB, S-K, S-M, S-EHV a crimpare. - Tipo STD-HV per applicazioni standard ed inserti fino a 830V: serie S-EHV con terminali a vite e S-HSB per applicazioni oltre 500V fino a 830V. - IP66 / IP69 protection degree Grado di protezione IP66 / IP69																																																					