

Part number

CHI 16 L



Bulkhead mounting housing, C-TYPE series,
with 1 lever, size "77.27"



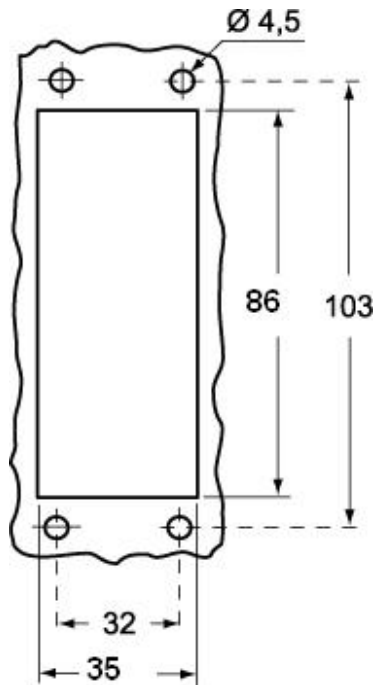
Product description		Material properties	
Product type	Bulkhead mounting housing	Colour	RAL 7040 grey
Series	C-TYPE	RoHs conformity	Compliant
Closing type	With 1 lever	China RoHs - EFUP	E
Size	Size "77.27"	REACH SVHC substances	No
Technical data		Approvals / Standards	
IP degree of protection	IP66 (and IP69 DIN 40050 - 9)	Certifications	DNV-GL, BV
Further technical details		UL	ECBT2
Weight	124,50 g	cUL	ECBT8
Operating temperature range (min, max)	-40°C...+125°C	General ordering information	
		EAN13 code	8015747017923
		eCl@ss 8.1	27440202
		ETIM 7.0	EC000437
		Packaging Information	
		Packaging length	375,00 mm
		Packaging height	230,00 mm
		Packaging width	205,00 mm
		Packaging weight	2,96 kg
		Packaging volume	17,68 dm ³
		Packaging description	Carton box
		Packaging quantity	20 Pcs
		Packaging EAN code	8015747017930
		Sub-packaging weight	0,74 kg
		Sub-packaging description	Plastic packaging
		Sub-packaging quantity	5 Pcs
		Sub-packaging EAN barcode	8015747017947

Part number

CHI 16 L

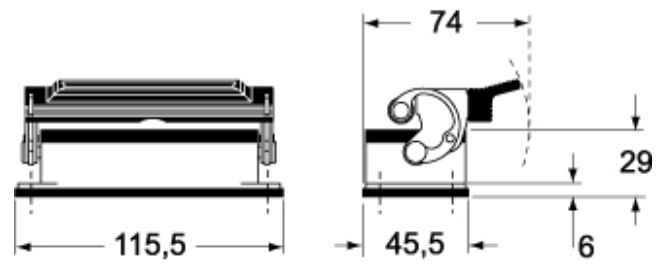


Catalogue drawings

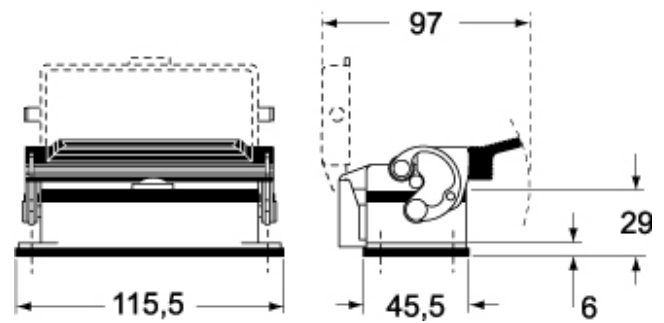


Catalogue drawings

CHI L



CHI LS



Notes

Dimensions shown in mm are not binding and may be changed without notice.