

Part number

# CKA 03 APS



Angled Bulkhead mounting housing, CKA series, with 1 lever, Pg11 cable entry, size "21.21", bulkhead hole closed

## Product description

<b>Product type</b>	Angled bulkhead mounting housing
<b>Series</b>	CKA
<b>Closing type</b>	With 1 lever
<b>Size</b>	Size "21.21"
<b>Cable entry</b>	With cable entry Pg11
<b>Specification</b>	Bulkhead hole closed

## Technical data

<b>IP degree of protection</b>	IP44 (IP66/IP67/IP69 with CKR 65/CKR 65 D kits)
--------------------------------	---

## Further technical details

<b>Weight</b>	71,00 g
<b>Operating temperature range (min, max)</b>	-40°C...+125°C

## Material properties

<b>Colour</b>	RAL 7040 grey
<b>RoHs conformity</b>	Compliant
<b>China RoHs - EFUP</b>	E
<b>REACH SVHC substances</b>	No

## Approvals / Standards

<b>UL</b>	ECBT2
<b>cUL</b>	ECBT8

## General ordering information

<b>EAN13 code</b>	8015747026840
-------------------	---------------

## Packaging Information

<b>Packaging length</b>	450,00 mm
<b>Packaging height</b>	175,00 mm
<b>Packaging width</b>	230,00 mm
<b>Packaging weight</b>	8,14 kg
<b>Packaging volume</b>	18,11 dm <sup>3</sup>
<b>Packaging description</b>	Carton box
<b>Packaging quantity</b>	100 Pcs
<b>Packaging EAN code</b>	8015747223065
<b>Sub-packaging length</b>	210,00 mm
<b>Sub-packaging height</b>	40,00 mm
<b>Sub-packaging width</b>	175,00 mm
<b>Sub-packaging weight</b>	0,81 kg
<b>Sub-packaging volume</b>	1,47 dm <sup>3</sup>
<b>Sub-packaging description</b>	Carton box
<b>Sub-packaging quantity</b>	10 Pcs
<b>Sub-packaging EAN barcode</b>	8015747026857

Part number

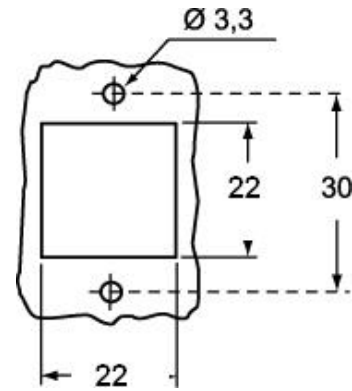
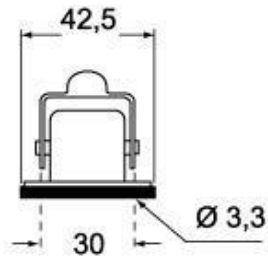
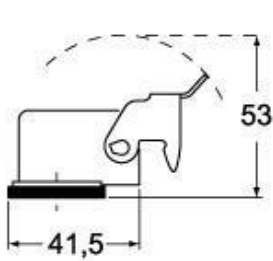
# CKA 03 APS



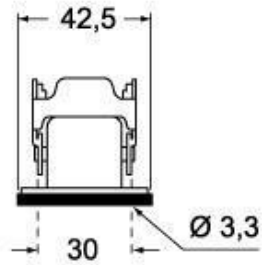
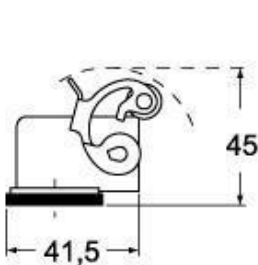
Catalogue drawings

Catalogue drawings

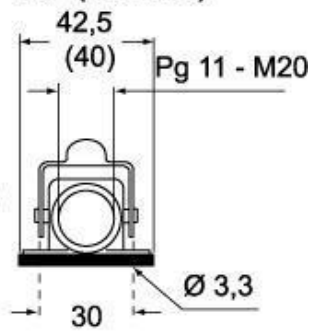
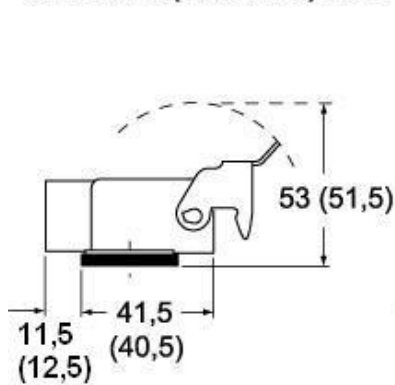
CKA IA



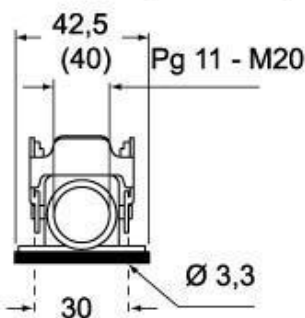
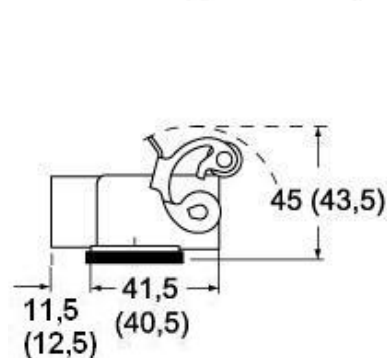
CKAX IA



CKA IAPS (CKA APS) MKA - IAP (MKA AP)



CKAX IAPS (CKAX APS) - MKAX IAP (MKAX AP)



# Notes

Dimensions shown in mm are not binding and may be changed without notice.

---