

Part number

CKA 03 IA



Angled Bulkhead mounting housing, CKA series, with 1 lever without cable entry, size "21.21"

Product description		Material properties	
Product type	Angled bulkhead mounting housing	Colour	RAL 7040 grey
Series	CKA	RoHs conformity	Compliant
Closing type	With 1 lever	China RoHs - EFUP	E
Size	Size "21.21"	REACH SVHC substances	No
Cable entry	Without cable entry		
Technical data		Approvals / Standards	
IP degree of protection	IP44 (IP66/IP67/IP69 with CKR 65/CKR 65 D kits)	UL	ECBT2
		cUL	ECBT8
Further technical details		General ordering information	
Weight	45,00 g	EAN13 code	8015747026932
Operating temperature range (min, max)	-40°C...+125°C	eCl@ss 8.1	27440202
		ETIM 7.0	EC000437
		Packaging Information	
		Packaging length	330,00 mm
		Packaging height	230,00 mm
		Packaging width	205,00 mm
		Packaging weight	5,17 kg
		Packaging volume	15,56 dm ³
		Packaging description	Carton box
		Packaging quantity	100 Pcs
		Packaging EAN code	8015747026949
		Sub-packaging length	185,00 mm
		Sub-packaging height	40,00 mm
		Sub-packaging width	155,00 mm
		Sub-packaging weight	0,52 kg
		Sub-packaging volume	1,15 dm ³
		Sub-packaging description	Carton box
		Sub-packaging quantity	10 Pcs
		Sub-packaging EAN barcode	8015747026956

Part number

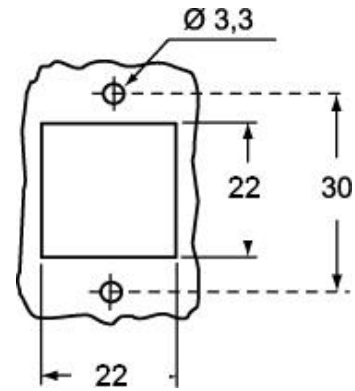
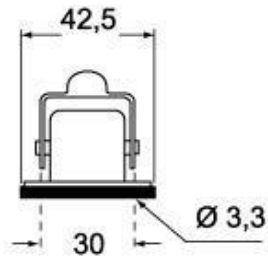
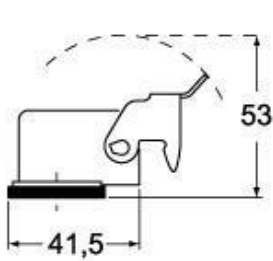
CKA 03 IA



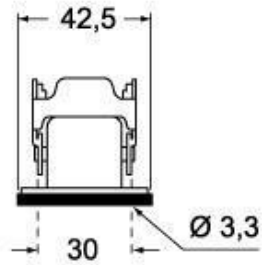
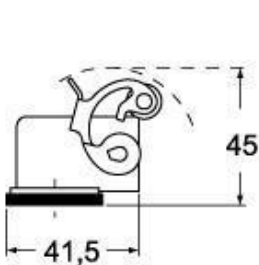
Catalogue drawings

Catalogue drawings

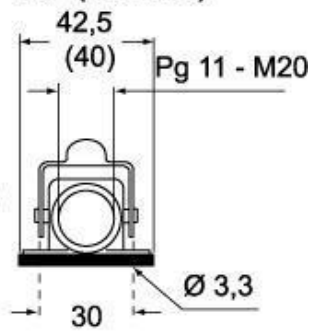
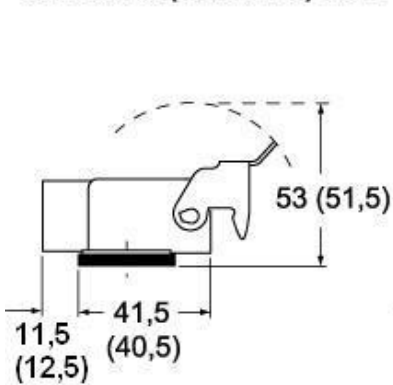
CKA IA



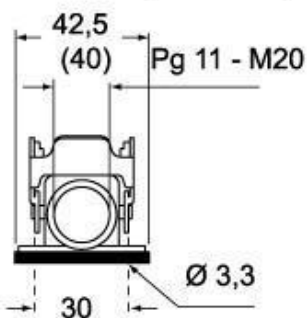
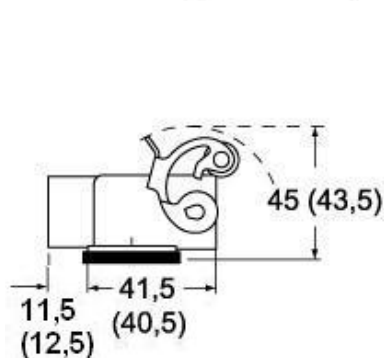
CKAX IA



CKA IAPS (CKA APS) MKA - IAP (MKA AP)



CKAX IAPS (CKAX APS) - MKAX IAP (MKAX AP)



Notes

Dimensions shown in mm are not binding and may be changed without notice.
