

Part number

MAP 16 L32



Surface mounting housing, C-TYPE series, with 1 lever, M32 cable entry, size "77.27", high construction

Product description

| | |
|----------------------|--------------------------|
| Product type | Surface mounting housing |
| Series | C-TYPE |
| Closing type | With 1 lever |
| Size | Size "77.27" |
| Cable entry | M32 |
| Specification | High construction |

Technical data

| | |
|--------------------------------|-------------------------------|
| IP degree of protection | IP66 (and IP69 DIN 40050 - 9) |
|--------------------------------|-------------------------------|

Further technical details

| | |
|---|----------------|
| Weight | 406,00 g |
| Operating temperature range (min, max) | -40°C...+125°C |

Material properties

| | |
|------------------------------|---------------|
| Colour | RAL 7040 grey |
| RoHs conformity | Compliant |
| China RoHs - EFUP | E |
| REACH SVHC substances | No |

Approvals / Standards

| | |
|-----------------------|------------|
| Certifications | DNV-GL, BV |
| UL | ECBT2 |
| cUL | ECBT8 |

General ordering information

| | |
|-------------------|---------------|
| EAN13 code | 8015747051507 |
| eCl@ss 8.1 | 27440202 |
| ETIM 7.0 | EC000437 |

Packaging Information

| | |
|----------------------------------|-----------------------|
| Packaging length | 475,00 mm |
| Packaging height | 220,00 mm |
| Packaging width | 175,00 mm |
| Packaging weight | 4,06 kg |
| Packaging volume | 18,29 dm ³ |
| Packaging description | Carton box |
| Packaging quantity | 10 Pcs |
| Packaging EAN code | 8015747244725 |
| Sub-packaging weight | 2,03 kg |
| Sub-packaging description | Plastic packaging |
| Sub-packaging quantity | 5 Pcs |
| Sub-packaging EAN barcode | 8015747051514 |

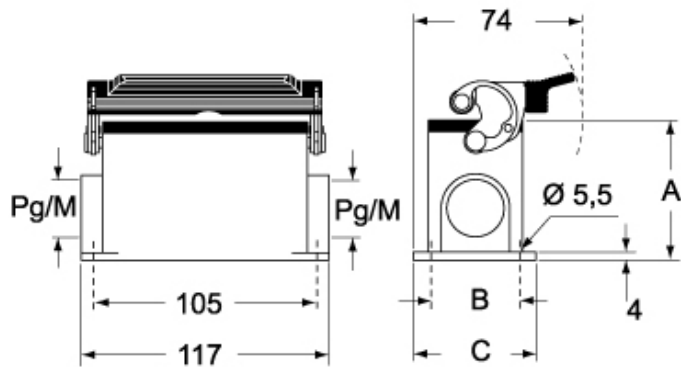
Part number

MAP 16 L32

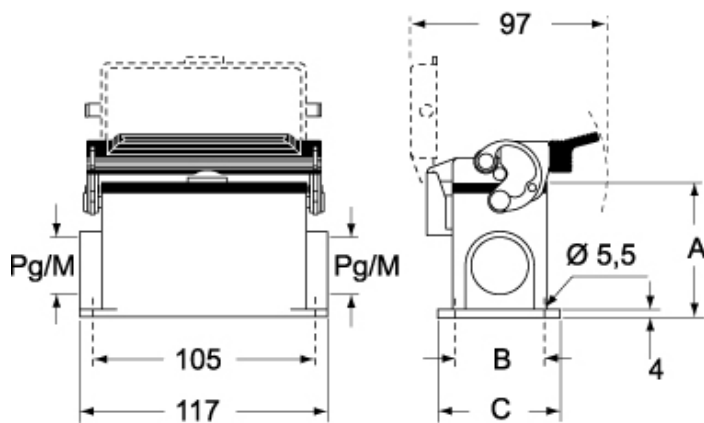


Catalogue drawings

CHP L CAP L - MHP L MAP L



CHP LS CAP LS - MHP LS MAP LS



| | A |
|------------------------|----------|
| CHP L / MHP L | 63 |
| CAP L / MAP L | 77 |
| CHP LS / MHP LS | 63 |
| CAP LS / MAP LS | 77 |

Notes

Dimensions shown in mm are not binding and may be changed without notice.