

Part number

MAV 24 L32



Hood, C-TYPE series, with 2 pegs, M32 top cable entry, size "104.27", high construction

Product description

Product type	Hood
Series	C-TYPE
Closing type	With 2 pegs
Size	Size "104.27"
Cable entry	Top cable entry M32
Specification	High construction

Technical data

IP degree of protection	IP66 (and IP69 DIN 40050 - 9)
--------------------------------	-------------------------------

Further technical details

Weight	234,00 g
Operating temperature range (min, max)	-40°C...+125°C

Material properties

Colour	RAL 7040 grey
RoHs conformity	Compliant
China RoHs - EFUP	E
REACH SVHC substances	No

Approvals / Standards

Certifications	DNV-GL, BV
UL	ECBT2
cUL	ECBT8

General ordering information

EAN13 code	8015747052726
eCl@ss 8.1	27440202
ETIM 7.0	EC000437

Packaging Information

Packaging length	245,00 mm
Packaging height	165,00 mm
Packaging width	215,00 mm
Packaging weight	2,56 kg
Packaging volume	8,69 dm ³
Packaging description	Carton box
Packaging quantity	10 Pcs
Packaging EAN code	8015747259323
Sub-packaging weight	1,28 kg
Sub-packaging description	Plastic packaging
Sub-packaging quantity	5 Pcs
Sub-packaging EAN barcode	8015747052733

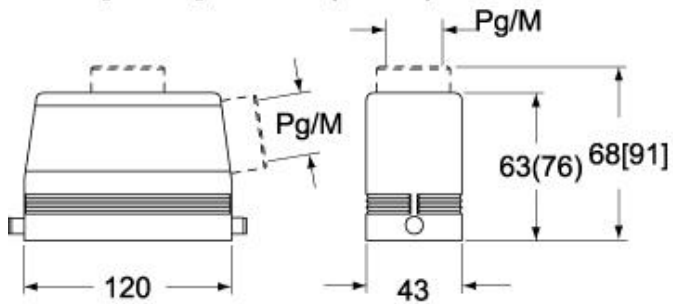
Part number

MAV 24 L32

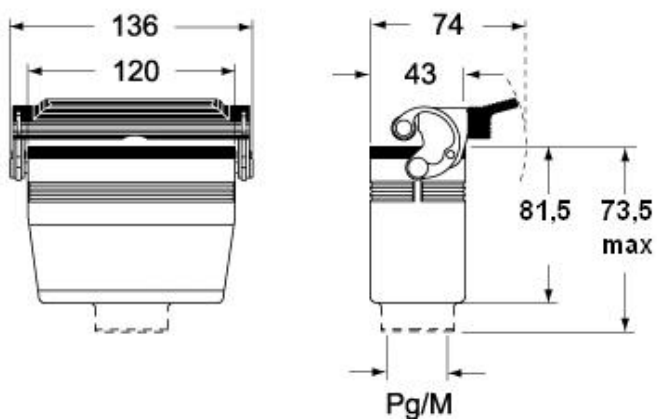


Catalogue drawings

**CHO L (CAO L) - MHO L [MAO L]
CHV L [CAV L] - MHV L (MAV L)**



CHV LG (CAV LG), MHV LG (MAV LG) [MFV LG]



Notes

Dimensions shown in mm are not binding and may be changed without notice.