

Part number

MHV 10 LG25



Hood, C-TYPE series, with 1 lever, M25 top cable entry, size "57.27"

Product description

Product type	Hood
Series	C-TYPE
Closing type	With 1 lever
Size	Size "57.27"
Cable entry	Top cable entry M25

Technical data

IP degree of protection	IP66 (and IP69 DIN 40050 - 9)
--------------------------------	-------------------------------

Further technical details

Weight	190,00 g
Operating temperature range (min, max)	-40°C...+125°C

Material properties

Colour	RAL 7040 grey
RoHs conformity	Compliant
China RoHs - EFUP	E
REACH SVHC substances	No

Approvals / Standards

Certifications	DNV-GL, BV
UL	ECBT2
cUL	ECBT8

General ordering information

EAN13 code	8015747055574
eCl@ss 8.1	27440202
ETIM 7.0	EC000437

Packaging Information

Packaging weight	1,95 kg
Packaging volume	4,82 dm ³
Packaging description	Carton box
Packaging quantity	10 Pcs
Packaging EAN code	8015747055581
Sub-packaging weight	0,98 kg
Sub-packaging description	Plastic packaging
Sub-packaging quantity	5 Pcs
Sub-packaging EAN barcode	8015747055598

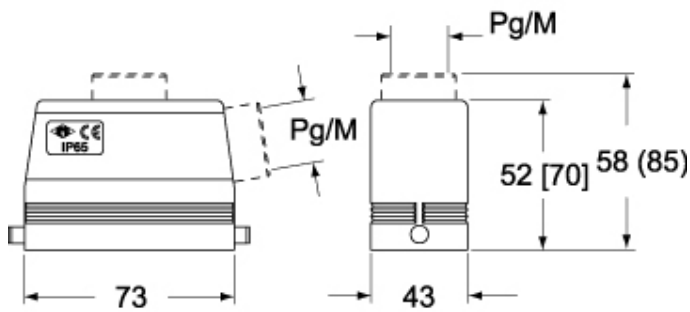
Part number

MHV 10 LG25

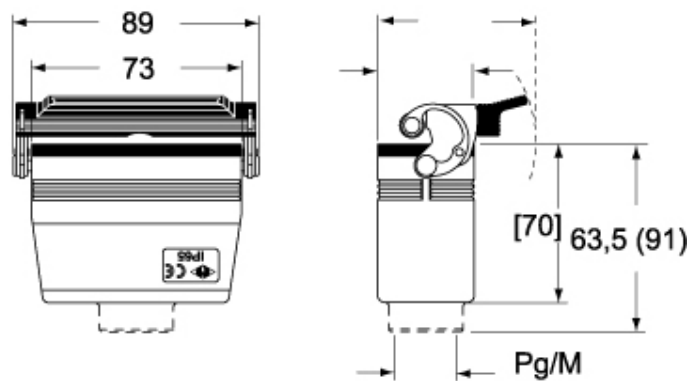


Catalogue drawings

CHO L (CAO) MHO L [MAO L]
CHV L [CAV L] MHV L (MAV L)



CHV L (CAV LG), MHV LG (MAV LG) [MFV LG]



Notes

Dimensions shown in mm are not binding and may be changed without notice.